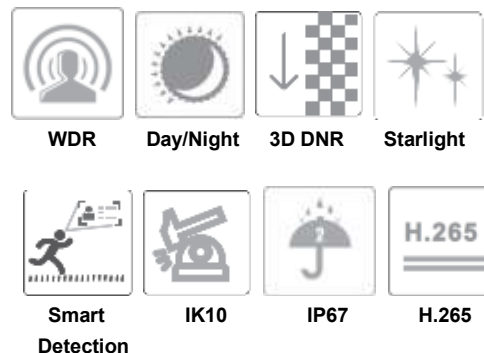


## 8MP Stitched 180° Panoramic Network Camera



**TD-6424M3(D/PE/AR2)**



### Features

- Four 2MP video modules to stitch one 8MP (4096x1800), 180° panoramic view stream
- True starlight technology (0.008lux@F2.0 AGC on) provides vivid color at most scenarios
- 20m Smart IR provides clear and uniform B/W image under no light conditions
- DWDR, 3D DNR, BLC, HLC
- Recognizes max. 50 faces/s within a public area
- Alarm triggered by multi-rules: line crossing, intrusion, device error
- 5 zones of e-PTZ, 4 zones of privacy masks, and custom logo support.
- ONVIF specifications, interoperability between network video products, regardless of manufacturer
- Interface: RJ45, SD Card, Alarm, Audio, RS485
- - 30°C~60°C(-22°F ~ 140 °F), IP67, IK10, Metal body
- Support both PoE(802.3.af) and DC12V
- One IP, one cable, reducing total fees

### Application

Public area safety: Railway station, Airport, Cathedral, City mall, Plaza, School, Conference room, etc.

### Specifications

| <b>Camera Module</b> |   |
|----------------------|---|
| Image sensor         | 1/2.8" progressive scan CMOS image sensor x 4   |
| Mini. Illumination   | Color : 0.008Lux @ (F2.0 , AGC ON) ; B/W : 0.008Lux @(F2.0 , AGC ON);0Lux with IR                           |
| Image setting        | Flip, Mirror, Saturation, Brightness, Contrast, Sharpness, AGC, and AWB adjusted by client software/browser |
| Shutter Speed        | 1/1 s – 1/10,000 s  |
| White Balance        | Auto/Manual/Indoor/Outdoor  |
| Gain                 | Auto/Manual   |
| Day & Night          | IR Cut filter   |
| Digital Zoom         | 16x   |
| Privacy Mask         | 4 Programmable privacy masks  |
| 3D DNR               | Auto /Manual  |
| BLC                  | Yes   |
| HLC                  | Yes   |
| WDR                  | D-WDR   |
| Defog                | Electronic  |
| EIS                  | Yes   |
| Regional Exposure    | No  |
| Picture overlay      | Logo picture could be overlaid on video   |
| <b>Lens</b>          |   |
| Focus length         | 3.2mm lens x 4  |
| Aperture             | F2.0  |
| FOV                  | Panoramic image: Horizontal FOV:180° ; Vertical FOV: 85°  |
| Working distance     | 1.0m ~ INF  |
| <b>IR</b>            |   |
| IR Range             | 20m radius  |
| Smart IR             | Yes   |
| <b>Network</b>       |   |
| Max Resolution       | 4096x1800@25/30fps  |
| Main stream          | 4096 x 1800, 3840 × 1680 , 2880 × 1264(1~30fps)   |
| Sub stream:          | 2048 × 896, 704 × 320(1~30fps)  |
| Third stream:        | 704 × 320 ( 1~30fps )   |
| SVC                  | Yes   |
| Video compression    | Smart H.265/H.264/MJPEG   |
| Audio compression    | G.711 A/U   |
| Audio Enhancement    | Not support   |

|                           |  |
|---------------------------|--|
| Protocols                 | HTTP, HTTPS, IPv4/IPv6, 802.1x, QoS, FTP, SMTP, UPnP, SNMP,DNS, DDNS, NTP, RTSP, RTCP, RTP, TCP/IP, UDP, IGMP, ICMP,DHCP, PPPoE                          |
| Simultaneous live view    | Up to 6 channels   |
| User / Host               | Up to 16 users, 3 levels: Administrator, Advanced User and Normal User   |
| Security Measures         | User authentication (ID and PW), Host authentication (MAC address); HTTPS encryption, IEEE802.1x port-based network access control; IP address filtering |
| <b>Smart Features</b>     |  |
| Basic event               | Motion detection (panorama and original modes support), video tampering alarm, exception (network disconnected, IP address conflict, SD full, SD error)  |
| Face recognition          | Max 50 human faces per second(default off) (V 5.01 and later supports)   |
| Face comparison           | Default off  |
| Smart Detection           | Intrusion detection, line crossing detection, region entrance detection, region exiting detection, target counting                                       |
| Alarm Linkage             | Upload to FTP/Memory card, notify surveillance center, send email, trigger alarm output, trigger recording, trigger capture                              |
| <b>System Integration</b> |  |
| Alarm Interface           | 1CH alarm input; 1CH alarm output  |
| Audio Interface           | 1CH audio input, 2 to 2.4v[p-p] 1kΩ±10%; 1CH audio output (line out), impedance: 600Ω  |
| Network Interface         | 1 RJ45 10M/100M Adaptive Ethernet (Support PoE 802.3.af)   |
| CVBS                      | Not support  |
| RS 485                    | Pelco-D / P protocol, custom protocols available   |
| Storage                   | Built-in memory card slot, support microSD/SDHC/SDXC, up to 256G   |
| USB3.0                    | Not support  |
| Fiber Optical             | Not Support  |
| GIS                       | Not Support  |
| API                       | ONVIF, support TVT SDK and third-party management platform   |
| Client                    | VMS-9000 and the third-party client  |
| Web Browser               | IE8-11 (NOT support Safari /Firefox /Chrome)   |
| <b>General</b>            |  |
| Power                     | DC12V,PoE (802.3.af), (Max 12.9W, include IR on )  |
| Working Condition         | -30°C ~ 60°C (-22°F ~ 140 °F),90%RH less (non-condensing),cold start at -20°C  |
| Storage Condition         | -40°C ~ 70°C ;≤ 95%RH  |
| Protection                | IP 67, IK 10, 6000VLightning Protection, Surge Protection and Voltage Transient Protection   |
| Material                  | Aluminum Alloy; PC   |
| Angle Adjustment          | Pan:0~360°; Tilt: 0~90°; Rotation: 0~360°  |
| Dimensions                | LxWxH= 288.4mm x 159.7mm x 137.7mm (11.35" x 6.29"x 5.42")   |
| Weight                    | Approx. 2.1Kg(4.63lb)  |
| Certification             | CE, FC, IK10, IP67   |
| Environment Protection    | Complies with Directive EU RoHS, WEEE, Directive 94/62/EC and REACH  |

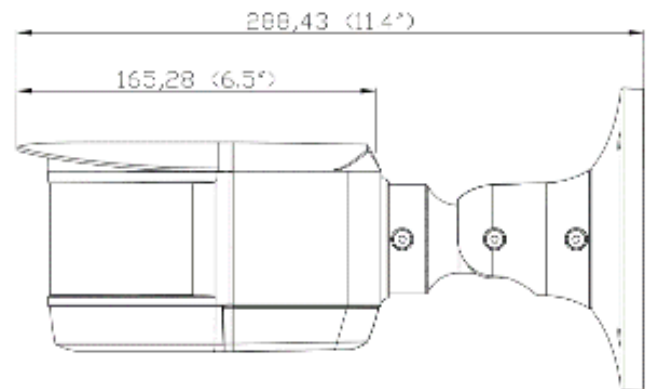
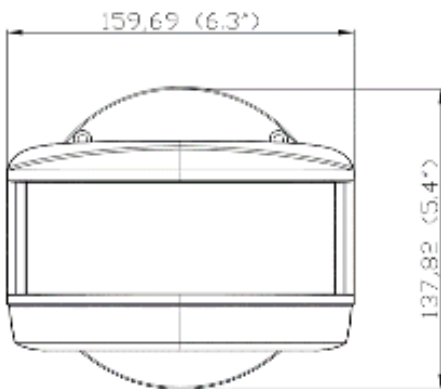
Ordering Information

|                        |                            |   |
|------------------------|----------------------------|---|
| Camera                 | TD-6424M3(D/PE/AR2)        | 8MP Stitched 180° Panoramic Network IR Bullet Camera, DC12V/PoE, IP67/IK10,-30°C~60°C |
| Accessories (Optional) | TD-YXH0207                 | Wall mount bracket  |
|                        | TD-YXH0207+YZJ0407         | Wall mount bracket  |
|                        | TD-YXH0207+YZJ0811         | Ceiling mount bracket   |
|                        | TD-YXH0207+YZJ0407+YZJ0501 | Pole mount bracket  |
|                        | TD-YXH0207+YZJ0501         | Pole mount bracket  |
|                        | TD-YXH0207+YZJ0407+YZJ0601 | Corner mount bracket  |
|                        | TD-YXH0207+YZJ0601         | Corner mount bracket  |
|                        | DC12V3A                    | Power Adaptor   |

\* Please contact your local sales for more information about production details.

Dimension

Unit: mm (inch)



## Accessories

### Optional



TD-YXH0207  
Wall Mount



TD-YXH0207+YZJ0407  
Wall Mount



TD-YXH0207+YZJ0811  
Ceiling Mount



TD-YXH0207+  
TD-YZJ0407+ YZJ0501  
Pole Mount



TD-YXH0207+YZJ0501  
Pole Mount



TD-YXH0207+  
YZJ0407+YZJ0601  
Corner Mount



TD-YXH0207+YZJ0601  
Corner Mount



DC12V3A  
Power Adapter

**Shenzhen TVT Digital Technology Co., LTD.**

Address: 23<sup>rd</sup> Floor, Block B4, Building NO.9, Shenzhen Bay Eco-Technology Park, Nanshan District, Shenzhen, Guangdong Province, P.R. China

Tel: +86-755-36995888

Website: <http://en.tvt.net.cn>

Fax: +86-755-33104777

E-mail: [overseas@tvt.net.cn](mailto:overseas@tvt.net.cn)