

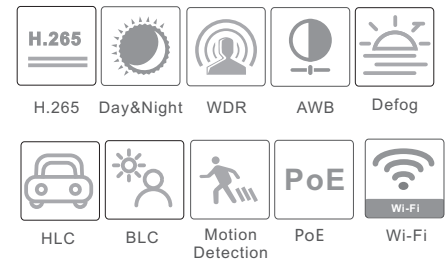
CAMERA

C12

2MP Cube Wi-Fi Network Camera



- 2MP (1920 × 1080) H.265 full real time coding
- Max. resolution: 1920 × 1080
- ICR auto switch, true day / night, BLC, HLC, Defog
- 10m IR night view distance
- 3D DNR, digital WDR, ROI coding
- Support Wi-Fi
- Built-in micro SD card slot
- 1CH built-in MIC and 1CH built-in speaker
- 1CH alarm input and 1CH alarm output
- DC12V/PoE power supply
- Support three streams
- Support remote monitoring by smart phones & tablets with iOS and Android OS



en.tvt.net.cn

For more information, please visit our website

Shenzhen TVT DIGITAL TECHNOLOGY CO., LTD.

Address: 23rd Floor, Block B4, Building NO.9, Shenzhen Bay Eco-Technology Park, Nanshan District, Shenzhen, Guangdong Province, P.R.China

Tel: +86-755-36995888

Web site: <http://en.tvt.net.cn>

Fax: +86-755-33104777

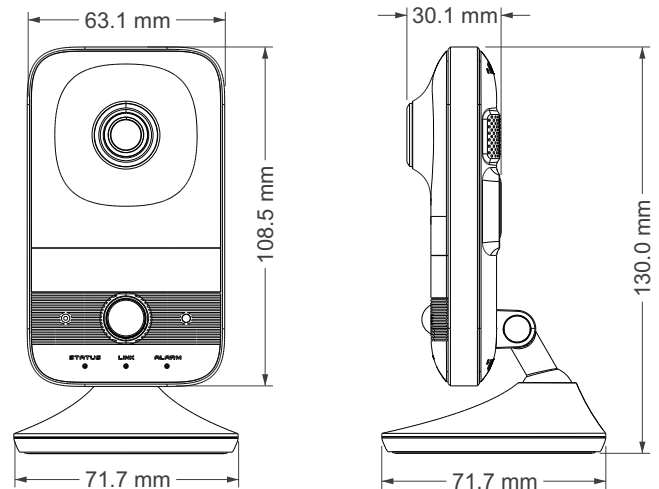
E-mail: overseas@tvt.net.cn

SPECIFICATIONS

Model	C12
Specifications	
Camera	
Image Sensor	1 / 2.7 *CMOS
Image Size	1920 × 1080
Electronic Shutter	1 / 25 s ~ 1 / 100000 s
Iris Type	Fixed Iris
Min. Illumination	0.03 lux@F2.5,AGC ON; 0 lux with IR 0.007 lux@F1.2,AGC ON; 0 lux with IR
Lens	2.8 mm @F1.85, horizontal field of view:116.6°
Lens Mount	M12
Wide Dynamic Range	Digital WDR
Day&Night Switch	IR Cut Filter
Defog	Yes
BLC	Yes
HLC	Yes
Digital NR	3D DNR
Angle Adjustment	Pan: 0°~230°; Tilt:0°~71°; Rotation: 0°~360°
Image	
Video Compression	H.265 / H.264 / MJPEG
H.264 Compression Standard	Baseline Profile/Main Profile/High Profile
Resolution	1080P (1920 × 1080), 720P (1280 × 720), D1, CIF, 480 × 240
Main Stream	60Hz : 1080P(1 ~ 30fps) / 720P(1 ~ 30fps) 50Hz : 1080P(1 ~ 25fps) / 720P(1 ~ 25fps)
Sub Stream	60Hz : D1/CIF (1~30fps); 50Hz: D1/CIF (1~25fps)
Third Stream	60Hz : D1/CIF/480x240 (1~30fps); 50Hz: D1/CIF/480x240 (1~25fps)
Bit Rate	128 Kbps ~ 6Mbps
Bit Rate Type	VBR / CBR
Image Settings	ROI, Saturation, Brightness, Chroma, Contrast,Wide Dynamic, Sharpen, NR, etc. adjustable through client software or web browser
ROI	Each ROI to be configured separately
Interfaces	
Network	RJ45
Video Output	No
Storage	Built-in micro SD card slot; up to 128GB
Alarm	1CH alarm input; 1CH alarm output
Hardware Reset	Yes
Audio	
Audio Input	Built-in MIC×1
Audio Output	Built-in Speaker ×1
Audio Compression	G.711A/U
Audio Bit Rate	Self-adaption
Wi-Fi	
Wireless Standards	IEEE802.11b/g/n
Frequency Range	2.4GHz ~ 2.4835 GHz
Channel Bandwidth	20MHz
Security	WEP, WPA-PSK/WPA2-PSK
Transfer Rates	11b: 11Mbps 11g: 54Mbps 11n: up to 150Mbps
Wireless Range	50m
Functions	
Remote Monitoring	Web browsing, CMS remote control
Online Connection	Support simultaneous monitoring for up to 4 users; Support multi-stream real time transmission

Network Protocol	UDP, IPv4, IPv6, DHCP, NTP, RTSP, PPPoE, DDNS, SMTP, FTP, SNMP, 802.1x, UPnP, HTTPs, QoS
Interface Protocol	ONVIF, GB-T/28181-2011
Storage	Network remote storage; micro SD card storage
Smart Alarm	Motion detection, sensor alarm, PIR alarm, SD card full, SD card error, IP conflict, cable disconnection
General function	Watermark, IP address filtering, video mask, heartbeat, password protection
PoE	Yes
IR Distance	Up to 10m
PIR	Horizontal angle: 100° Range: 7m
Others	
Power Supply	DC12V/PoE
Power Consumption	< 4.5W
Operating Environment	- 10 °C ~ 45 °C (-14°F~113°F) Humidity: less than 95 % (non-condensing)
Dimensions (mm)	130 × 71.7 × 71.7
Weight (net)	Approx. 0.14KG
Installation	Ceiling mounting; Wall mounting; Desktop

DIMENSIONS



AVAILABLE MODEL

Available Model	C12
-----------------	-----