

# DH-IPC-HDW3441TM-AS

4MP Lite AI IR Fixed focal Eyeball Network Camera



- 4MP, 1/2.7" CMOS image sensor, low illuminance, high image definition
- Outputs max. 4MP (2688 × 1520) @30 fps
- H.265 codec, high compression rate, low bit rate
- Built-in IR LED, max. IR distance: 50 m
- ROI, SMART H.264+/H.265+, flexible coding, applicable to various bandwidth and storage environments
- Rotation mode, WDR, 3D DNR, HLC, BLC, digital watermarking, applicable to various monitoring scenes
- Intelligent detection: Intrusion, tripwire (Recognition of vehicle and human)
- Abnormality detection: Motion detection, video tampering, scene changing, audio detection, no SD card, SD card full, SD card error, network disconnection, IP conflict, illegal access, voltage detection
- Supports max. 256 G Micro SD card, built-in Mic
- 12V DC/POE power support
- IP67 protection
- SMD



## System Overview

With advanced deep learning algorithm, Dahua Lite AI series network camera supports some intelligent functions, such as perimeter protection and smart motion detection. It adopts starlight solution, which makes a better image effect in low illuminance.

## Functions

### Smart (H.265+ & H.264+)

Adopting advanced algorithm of auto stream control according to the environment, Dahua smart encoding technology realizes the higher efficiency than (H.265 & H.264), providing high-quality video, and reducing the cost of storage and transmission.

### Wide dynamic range (WDR)

Dahua adopts advanced Wide Dynamic Range (WDR) technology. You can get clear details in the environment of strong brightness contrast. In high brightness and back-light environment, bright region and dark region with strong light source, you can also get clear images.

### Starlight

Dahua Starlight technology mainly applies to the environment of low illumination, and it can provide clear colorful video. Even in the environment of min. illumination, the technology can guarantee the good image effect.

### Intelligent Video Analysis (IVS)

With advanced video algorithm, Dahua camera supports intelligent detection, such as tripwire and intrusion and so on.

### Smart Motion Detection (SMD)

With intelligent algorithm, Dahua Smart Motion Detection technology can effectively recognize the target types, flitting the motion detection alarm triggered by non-concerned target types. It can realize effective and accurate alarm.

### Protection (IP67, wide voltage)

IP67: The camera passes a series of strict test on dust and soak. It has dust-proof function, and the enclosure can works normal after soaking in 1 m deep water for 30 minutes.

Wide voltage: The camera allows  $\pm 30\%$  input voltage tolerance (wide voltage range), and it is widely applied to outdoor environment with instable voltage.

**Technical Specification**

<b>Camera</b>	
Image Sensor	1/2.7"4Megapixel progressive CMOS
Effective Pixels	2688 (H) x1520 (V)
ROM	128 MB
RAM	512 MB
Scanning System	Progressive
Electronic Shutter Speed	Auto/Manual 1/3 s-1/100000 s
Min. Illumination	0.005 Lux@F1.6
IR Distance	50 m (164.0 ft)
IR On/Off Control	Auto/Manual
IR LEDs Number	2 (IR LEDs)
Pan/Tilt/Rotation Range	Horizontal: 0°-360°; vertical: 0°-78°; rotation: 0°-360°

<b>Lens</b>					
Lens Type	Fixed focal				
Mount Type	M12				
Focal Length	2.8 mm; 3.6 mm; 6 mm				
Max. Aperture	F1.6				
Field of View	2.8 mm: Horizontal:103°; vertical: 55°; diagonal: 122° 3.6 mm: Horizontal:84°; vertical: 45°; diagonal: 100° 6 mm: Horizontal:52°; vertical: 28°; diagonal: 61°				
Iris Type	Fixed aperture				
Close Focus Distance	2.8 mm: 0.9 m (3.0 ft) 3.6 mm: 1.6 m (5.3 ft) 6 mm: 3.2 m (10.5 ft)				
DORI Distance	<b>Lens</b>	<b>Detect</b>	<b>Observe</b>	<b>Recognize</b>	<b>Identify</b>
	2.8mm	56.0 m (183.7 ft)	22.4 m (73.5 ft)	11.2 m (36.8 ft)	5.6 m (18.4 ft)
	3.6mm	80.0 m (262.5 ft)	32.0 m (105.0 ft)	16.0 m (52.5 ft)	8.0 m (26.3 ft)
	6mm	120.0 m (393.7 ft)	48.0 m (157.5 ft)	24.0 m (78.7 ft)	12.0 m (39.4ft)

<b>Professional, Intelligent</b>	
Perimeter Protection	Tripwire; intrusion (Recognition of human and vehicle)
Intelligent Search	Work together with Smart NVR to perform refine intelligent search, event extraction and merging to event videos

<b>Video</b>	
Video Compression	H.265; H.264; H.264H; H.264B; MJPEG
Smart Codec	Yes
Video Frame Rate	Main stream (2688 x 1520@1-25/30 fps) sub stream (704 x 576@1-25/30 fps) third stream (1280 x 720@1-25/30 fps)
Stream Capability	3 streams
Resolution	4M (2688 x 1520); 3M (2304 x 1296); 1080p (1920 x 1080); 1.3M (1280 x 960); 720p (1280 x 720); D1 (704 x 576/704 x 480); VGA (640 x 480); CIF (352 x 288/352 x 240)
Bit Rate Control	CBR/VBR

Video Bit Rate	H.264: 3 Kbps-8192 Kbps H.265: 3 Kbps-8192 Kbps
Day/Night	Auto(ICR)/Color/B/W
BLC	Yes
HLC	Yes
WDR	120 dB
White Balance	Auto/natural/street lamp/outdoor/manual/regional custom
Gain Control	Auto/Manual
Noise Reduction	3D DNR
Motion Detection	OFF/ON (4 areas, rectangular)
Region of Interest(Roi)	Yes (4 areas)
Smart IR	Yes
Image Rotation	0°/90°/180°/270° (Support 90°/270° with 1920 x 1080 resolution.)
Mirror	Yes
Privacy Masking	4 areas

<b>Audio</b>	
Built-in MIC	Yes
Audio Compression	G.711a; G.711Mu; G726; AAC

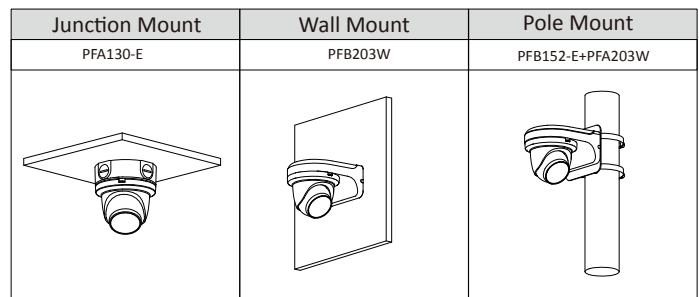
<b>Network</b>	
Network	RJ-45 (10/100 Base-T)
Protocol	HTTP; TCP; ARP; RTSP; RTP; UDP; RTCP; SMTP; FTP; DHCP; DNS; DDNS; PPPoE; IPv4/v6; SNMP; QoS; UPnP; NTP
Interoperability	ONVIF(Profile S/Profile G);CGI;P2P;Milestone;Genetec
Scene Self-adaptation	Yes
User/Host	20 (Total bandwidth: 64M)
Edge Storage	FTP; Micro SD Card (support max. 256 G); Dahua Cloud; NAS
Browser	IE: IE8, IE9, IE11 Chrome Firefox
Management Software	Smart PSS, DSS, DMSS
Mobile Phone	IOS; Android

<b>Certification</b>	
Certifications	CE-LVD: EN60950-1 CE-EMC: Electromagnetic Compatibility Directive 2014/30/EU FCC: 47 CFR FCC Part 15, Subpart B UL/CUL: UL60950-1 CAN/CSA C22.2 No.60950-1-07

<b>Power</b>	
Power Supply	12V DC/PoE (802.3af)
Power Consumption	<7.7W

<b>Environment</b>	
Operating Conditions	-40°C to +60°C (-40°F to +140°F)/ less than≤95%
Storage Conditions	-40°C to +60°C (-40°F to +140°F)

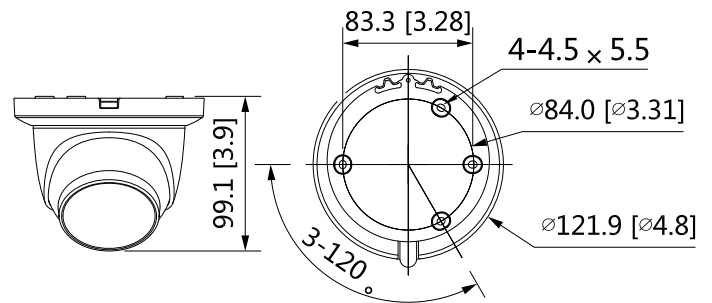
Ingress Protection	IP67
Structure	
Casing	Metal +Plastic
Dimensions	99.1 mm × Φ121.9 mm (3.9" × Φ4.8")
Net Weight	480 g (1.05 lb)
Gross Weight	660 g (1.45 lb)



**Ordering Information**

Type	Part Number	Description
4MP Camera	DH-IPC-HDW3441TMP-AS	4MP Lite AI IR Fixed focal Eyeball Network Camera,PAL
	DH-IPC-HDW3441TMN-AS	4MP Lite AI IR Fixed focal Eyeball Network Camera,NTSC
Accessories (optional)	PFA130-E	Junction Box
	PFB203W	Wall mount
	PFA152-E	Pole mount
	PFM321D	DC12V1A Power adapter
	LR1002-1ET/1EC	Single-port long reach ethernet over coax extender
	PFM900-E	Integrated mount tester
	PFM114	TLC SD card

**Dimensions (mm[inch])**



**Accessories**

**Optional:**

