

DH-IPC-HDW3449H-AS-PV

4MP Full-color Active Deterrence Fixed-focal Eyeball WizSense Network Camera



WizSense

Launched by Dahua Technology, WizSense is a series of AI products and solutions that adopt independent AI chip and deep learning algorithm. It focuses on human and vehicle with high accuracy, enabling users to fast act on defined targets. Based on Dahua's advanced technologies, WizSense provides intelligent, simple and inclusive products and solutions.

Series Overview

With advanced deep learning algorithm, Dahua WizSense 3 Series network camera supports intelligent functions, such as perimeter protection and smart motion detection. In addition, with full-color technology, it provides a better image effect in the condition of low illuminance.

Functions

SMD Plus

With intelligent algorithm, Dahua Smart Motion Detection technology can categorize the targets that trigger motion detection and filter the motion detection alarm triggered by non-concerned targets to realize effective and accurate alarm.

Smart H.265+ & Smart H.264+

With advanced scene-adaptive rate control algorithm, Dahua smart encoding technology realizes the higher encoding efficiency than H.265 and H.264, provides high-quality video, and reduces the cost of storage and transmission.

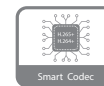
Full-color

With high-performance sensor and large aperture lens, Dahua Full-color technology can display clear colorful image in the environment of ultra-low illuminance. With this photosensitivity technology, the camera can capture more available light, and display more colorful image details.

Siren and Light Active Deterrence

Dahua siren and light active deterrence network camera supports light alarm and voice alarm when perimeter event occurs, to realize the deterrence and effective intervention. The camera is built in multiple voices for selection, and supports customized voice importing.

- 4MP, 1/2.7" CMOS image sensor, low illuminance, high image definition
- Outputs max. 4MP (2688 × 1520) @30 fps
- H.265 codec, high compression rate, low bit rate
- Built-in warm illuminator, and the max. illumination distance: 30 m
- ROI, SMART H.264+/H.265+, flexible coding, applicable to various bandwidth and storage environments
- Rotation mode, WDR, 3D NR, HLC, BLC, digital watermarking, applicable to various monitoring scenes
- Intelligent detection: Intrusion, tripwire (support the classification and accurate detection of vehicle and human)
- Abnormality detection: Motion detection, video tampering, scene changing, audio detection, no SD card, SD card full, SD card error, network disconnection, IP conflict, illegal access, and voltage detection.
- Supports sound and light alarm linkage. When an alarm is triggered, the camera links sound alarm and light flashing.
- Supports one-tap disarming. You can disarm the events of alarm output, sending email, audio, and light in the configured period.
- Alarm: 1 in, 1 out; audio: 1 in, 1 out; supports max. 256 G Micro SD card, built-in Mic and speaker
- 12V DC/PoE power supply
- IP67 protection
- SMD Plus
- Red and blue flashlight alarm



Cyber Security

Dahua network camera is equipped with a series of key security technologies, such as security authentication and authorization, access control, trusted protection, encrypted transmission, and encrypted storage, which improve its security defense and data protection, and prevent malicious programs from invading the device.

Protection (IP67, wide voltage)

IP67: The camera passes a series of strict test on dust and soak. It has dust-proof function, and the enclosure can works normal after soaking in 1 m deep water for 30 minutes.

Wide voltage: The camera allows $\pm 30\%$ input voltage tolerance (wide voltage range), and it is widely applied to outdoor environment with instable voltage.

Technical Specification

Camera

| | |
|----------------------------|---|
| Image Sensor | 1/2.7" 4Megapixel progressive CMOS |
| Max. Resolution | 2688 (H) × 1520 (V) |
| ROM | 128 MB |
| RAM | 512 MB |
| Scanning System | Progressive |
| Electronic Shutter Speed | Auto/Manual 1/3 s–1/100,000 s |
| Min. Illumination | 0.003 Lux @ F1.0 |
| S/N Ratio | > 56 dB |
| Illumination Distance | 30 m (98.4 ft) |
| Illuminator On/Off Control | Auto/Manual |
| Illuminator Number | 1 (Warm light) |
| Pan/Tilt/Rotation Range | Pan: 0°–360° Tilt: 0°–78° Rotation: 0°–360° |

Lens

| | | | | | |
|----------------------|--|-------------------|-------------------|------------------|-----------------|
| Lens Type | Fixed-focal | | | | |
| Mount Type | M12 | | | | |
| Focal Length | 2.8 mm; 3.6 mm | | | | |
| Max. Aperture | F1.0 | | | | |
| Field of View | 2.8 mm: Horizontal 103° × Vertical 53° × Diagonal 122° 3.6 mm: Horizontal 81° × Vertical 43° × Diagonal 95° | | | | |
| Iris Type | Fixed | | | | |
| Close Focus Distance | 2.8 mm: 1.2 m (3.9 ft) 3.6 mm: 2.1 m (6.9 ft) | | | | |
| DORI Distance | Lens | Detect | Observe | Recognize | Identify |
| | 2.8 mm | 67.4 m (221.1 ft) | 27 m (88.6 ft) | 13.5 m (44.3 ft) | 6.7 m (22.0 ft) |
| | 3.6 mm | 80.0 m (262.5 ft) | 32.0 m (105.0 ft) | 16.0 m (52.5 ft) | 8.0 m (26.2 ft) |

Professional, intelligent

| | |
|----------------------------|--|
| IVS (Perimeter Protection) | Tripwire; intrusion (support the classification and accurate detection of vehicle and human) |
| Intelligent Search | Work together with Smart NVR to perform refine intelligent search, event extraction and merging to event videos. |

Video

| | |
|-------------------|---|
| Video Compression | H.265; H.264; H.264H; H.264B; MJPEG (only supported by the sub stream) |
| Smart Codec | Smart H.265+/Smart H.264+ |
| Video Frame Rate | Main stream: 2688 × 1520 @1-25/30 fps Sub stream: 704 × 576 @1-25 fps/704 × 480 @ 1-30 fps Third stream: 1920 × 1080 @1-25/30 fps |
| Stream Capability | 3 streams |
| Resolution | 4M (2688 × 1520); 4M (2560 × 1440); 3M (2304 × 1296); 1080p (1920 × 1080); 1.3M (1280 × 960); 720p (1280 × 720); D1 (704 × 576/704 × 480); VGA (640 × 480); CIF (354 × 288/354 × 240) |

| | |
|-----------------------------|--|
| Bit Rate Control | CBR/VBR |
| Video Bit Rate | H.264: 32 kbps–8192 kbps H.265: 12 kbps–8192 kbps |
| Day/Night | Color/B/W |
| BLC | Yes |
| HLC | Yes |
| WDR | 120 dB |
| Scene Self-adaptation (SSA) | Yes |
| White Balance | Auto/natural/street lamp/outdoor/manual/regional custom |
| Gain Control | Auto/Manual |
| Noise Reduction | 3D NR |
| Motion Detection | OFF/ON (4 areas) |
| Region of Interest (RoI) | Yes (4 areas) |
| Smart Illumination | Yes |
| Image Rotation | 0°/90°/180°/270° (Support with 1080p resolution and lower) |
| Mirror | Yes |
| Privacy Masking | 4 areas |

Audio

| | |
|-------------------|------------------------------------|
| Built-in MIC | Yes |
| Audio Compression | PCM; G.711a; G.711Mu; G.726; G.723 |

Alarm

| | |
|-------------|---|
| Alarm Event | No SD card; SD card full; SD card error; network disconnection; IP conflict; illegal access; motion detection; video tampering; tripwire; intrusion; scene changing; audio detection; voltage detection; external alarm; SMD; safety exception; light alarm; sound alarm (11 built-in sounds and custom voices importing) |
|-------------|---|

Network

| | |
|---------------------|---|
| Network | RJ-45 (10/100 Base-T) |
| SDK and API | Yes |
| Protocol | IPv4; IPv6; HTTP; TCP; UDP; ARP; RTP; RTSP; RTCP; RTMP; SMTP; FTP; SFTP; DHCP; DNS; DDNS; QoS; UPnP; NTP; Multicast; ICMP; IGMP; NFS; SAMBA; PPPoE; SNMP |
| Cyber Security | Video encryption; firmware encryption; configuration encryption; Digest; WSSE; account lockout; security logs; IP/MAC filtering; generation and importing of X.509 certification; syslog; HTTPS; 802.1x; trusted boot; trusted execution; trusted upgrade |
| Interoperability | ONVIF (Profile S/Profile G/Profile T); CGI; Milestone; Genetec; P2P |
| User/Host | 20 (Total bandwidth: 80 M) |
| Storage | FTP; SFTP; Micro SD card (support max. 256 G); NAS |
| Browser | IE: IE8 and later Chrome Firefox Safari: Safari 12 and later |
| Management Software | Smart PSS; DSS; DMSS |
| Mobile Phone | iOS; Android |

Certification

| | |
|---------------|---|
| Certification | CE-LVD: EN62368-1 CE-EMC: Electromagnetic Compatibility Directive 2014/30/EU FCC: 47 CFR FCC Part 15, Subpart B |
|---------------|---|

Port

| | |
|--------------|-----------------------------|
| Audio Input | 1 channel (RCA port) |
| Audio Output | 1 channel (RCA port) |
| Alarm Input | 1 channel in: 5mA 3V-5V DC |
| Alarm Output | 1 channel out: 300mA 12V DC |

Power

| | |
|-------------------|---|
| Power Supply | 12V DC/PoE (802.3af) |
| Power Consumption | Basic power consumption: 2.5W (12V DC); 3.0W (PoE) Max. power consumption (WDR + H.265 + red and blue lights flashing alternately + warm light + sound alarm): 7.3W (12V DC); 8.0W (PoE) |

Environment

| | |
|----------------------|---|
| Operating Conditions | -40°C to +60°C (-40°F to +140°F)/Less than 95% RH |
| Storage Conditions | -40°C to +60°C (-40°F to +140°F) |
| Protection Grade | IP67 |

Structure

| | |
|--------------|-------------------------------------|
| Casing | Metal |
| Dimensions | Φ122.0 mm × 110.9 mm (Φ4.8" × 4.4") |
| Net Weight | 754 g (1.7 lb) |
| Gross Weight | 915 g (2.0 lb) |

Ordering Information

| Type | Model | Description |
|------------------------|------------------------|--|
| 4MP Camera | DH-IPC-HDW3449HP-AS-PV | 4MP Full-color Active Deterrence Fixed-focal Eyeball WizSense Network Camera, PAL |
| | DH-IPC-HDW3449HN-AS-PV | 4MP Full-color Active Deterrence Fixed-focal Eyeball WizSense Network Camera, NTSC |
| | IPC-HDW3449HP-AS-PV | 4MP Full-color Active Deterrence Fixed-focal Eyeball WizSense Network Camera, PAL |
| | IPC-HDW3449HN-AS-PV | 4MP Full-color Active Deterrence Fixed-focal Eyeball WizSense Network Camera, NTSC |
| Accessories (Optional) | PFA137 | Junction Box |
| | PFB205W | Wall Mount |
| | PFB220C | Ceiling Mount |
| | PFA152-E | Pole Mount |
| | PFM321D | 12V DC 1A Power Adapter |

| | |
|----------------|--|
| LR1002-1ET/1EC | Single-port Long Reach Ethernet over Coax Extender |
| PFM900-E | Integrated Mount Tester |
| PFM114 | TLC SD Card |

Accessories

Optional



PFA137 Junction Box



PFB205W Wall Mount



PFB220C Ceiling Mount



PFA152-E Pole Mount



PFM321D 12V DC/1A Power Adapter



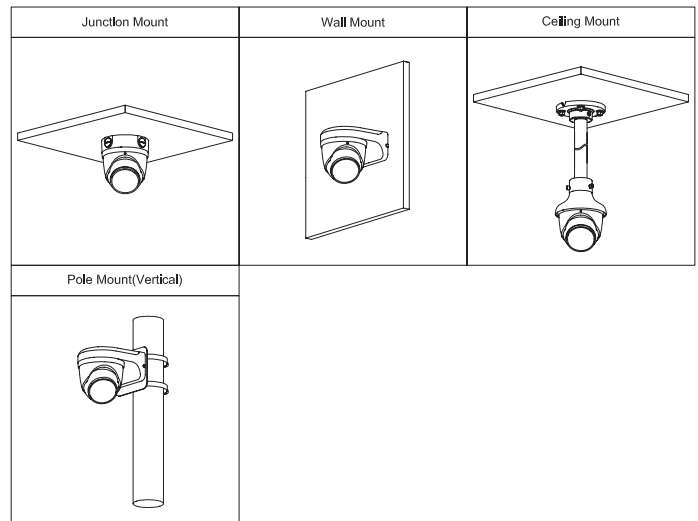
LR1002-1ET/1EC Single-port Long Reach Ethernet over Coax Extender



PFM900-E Integrated Mount Tester



PFM114 TLC SD Card



Dimensions (mm[inch])

