

# DH-IPC-HF7442F-FR

4MP AI BOX Network Camera



- 4MP, 1/1.8" CMOS image sensor, low illuminance, high image definition
- Max outputs 4MP (2688×1520) @50 fps/60 fps
- H.264&H.265 coding, high compression ration · Wide dynamic, day/night, 3D noise reduction, AWB, HLC, BLC
- ROI, SVC, SMART H.264/H.265, flexible coding, applicable to various bandwidth and storage environments
- With deep learning algorithm, it supports people counting, face recognition, perimeter protection etc
- 24V AC/PoE/12V DC power support
- Five streams for three-channel HD video

## System Overview

With advanced deep learning algorithm, Dahua Ultra AI series network camera supports various intelligent functions and satisfies the requirements in different scenes. The camera can accurately detect person, vehicle, and non-motor vehicle, face, and liveness. This series camera has ultra starlight night version effect, and works with ultra-low stream.

## Functions

### People Counting

With deep learning algorithm, Dahua People Counting technology can track and process moving human body targets to realize the accurate statistics of enter No., leave No., and In Area No. Working with management platform, it outputs yearly/monthly/weekly/daily reports to meet your requirements.

### Video Metadata

With deep learning algorithm, Dahua Video Metadata technology can detect, track, capture vehicle, non-motor vehicle and people, and select the best images, and extract attributes.

### Smart Codec

With advanced scene-adaptive rate control algorithm, Dahua smart encoding technology realizes the higher encoding efficiency than H.265 and H.264, provides high-quality video, and reduces the cost of storage and transmission.

### ePoE

Dahua ePoE technology provides a new way to accomplish long distance transmission between IP camera and network switch. It allows more flexible surveillance system design, improves reliability and saves construction and wiring cost.

### Face Recognition

Dahua Face Recognition technology extracts the features of captured faces and compares them with that in face database to recognize the person identity.



### Perimeter Protection

With deep learning algorithm, Dahua Perimeter Protection technology can recognize human and vehicle accurately. In restricted area (such as pedestrian area and vehicle area), the false alarms of intelligent detection based on target type (such as tripwire, intrusion, fast moving, parking detection, loitering detection and gathering detection) are largely reduced.

### Privacy Protection

Dahua Privacy Protection technology can mask the detected face and human body to protect the privacy of some special targets.

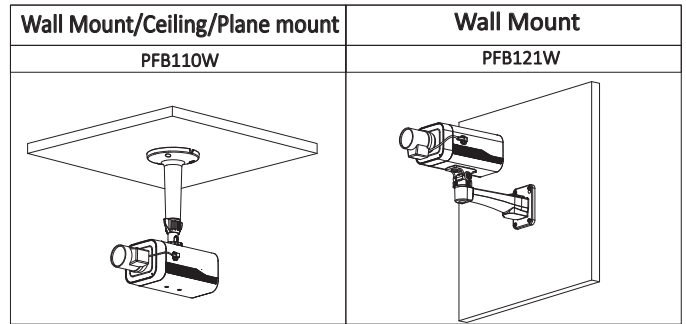
Technical Specification		Bit Rate Control	CBR/VBR
<b>Camera</b>		Video Bit Rate	H.264: 32–10240 kbps H.265: 12–10240 kbps
Image Sensor	1/1.8" 4Megapixel progressive CMOS	Day/Night	ICR switch
Effective Pixels	2688 (H) × 1520 (V)	BLC	Yes
ROM	16 GB	WDR	140 dB
RAM	2 GB	White Balance	Auto/natural/street lamp/outdoor/manual/regional custom
Scanning System	Progressive	Gain Control	Auto/Manual
Electronic Shutter Speed	Auto/Manual 1/3 s–1/100000 s	Noise Reduction	3D DNR
Min. Illumination	0.001 Lux@F1.5	Motion Detection	OFF/ON (4 areas, rectangular)
<b>Lens</b>		Region of Interest(Rol)	Yes (4 areas)
Lens Type	Manual vari-focal	Electronic Image Stabilization(EIS)	Yes
Mount Type	C/CS	Smart IR	Yes
<b>Smart event</b>		Defog	Yes
General IVS Analytics	Abandoned object, moving object	Image Rotation	0°/90°/180°/270° (Supports 90°/270° with 1080p resolution or below.)
<b>Professional, intelligent</b>		Mirror	Yes
Perimeter Protection	Tripwire, intrusion, fast moving (the three functions support the classification and accurate detection of vehicle and human); parking detection, loitering detection, and people gathering.	Privacy Masking	4 areas
Face Recognition	Face recognition, track, priority, snapshot, face enhancement, face exposure, face attribute extract, 6 attributes and 8 expressions: Gender, age, glasses, expressions (anger, sadness, disgust, fear, surprise, calm, happiness and confusion), mask, beard Face matting setting: face, single inch photo Two snapshot strategies: priority snapshot, recognition Face angle filter Priority time setting Management of 5 group face libraries Single person register and person register in batch Face recognition and similarity setting Max supports face contrast in face library with 200,000 faces	<b>Audio</b>	
Video Metadata	Support human body, human face, motor vehicle and non-motor vehicle image capture and attributes extraction.	Audio Compression	G.711a; G.711Mu; G.726; AAC; G.723
People Counting	People counting (count the entry number, exit number and pass number), display and output daily/monthly/annual statistics, No. in area	<b>Network</b>	
Intelligent Search	Work together with Smart NVR to perform refine intelligent search, event extraction and merging to event videos.	Network	RJ-45 (10/100/1000 Base-T)
<b>Video</b>		Protocol	HTTP; Hhttps; 8021.x; TCP; ARP; RTSP; RTP; UDP; RTCP; SMTP; FTP; DHCP; DNS; DDNS; PPPoE; IPv4/v6; SNMP; QoS; UPnP; NTP; SFTP; RTMP; Genetec; Bonjour
Video Compression	H.265, H.264, H.264H, H.264B, MJPEG	Interoperability	ONVIF (Profile S/Profile G/Profile T); CGI; P2P
Smart Codec	Yes	Scene self-adaptation	Yes
Video Frame Rate	Main Stream: 2688 × 1520 (1–50/60 fps) sub stream 1: 704 × 576 (1–25/30 fps) sub stream 2: 1920 × 1080 (1–25/30 fps) sub stream 3: 1920 × 1080 (1–25/30 fps) sub stream 4: 704 × 576 (1–25/30 fps)	User/Host	20
Stream Capability	5 streams	Edge Storage	FTP; Micro SD card (256 G); NAS; SFTP
Resolution	4M (2688 × 1520), 3M (2304 × 1296), 1080p (1920 × 1080), 1.3M (1280 × 960), 720P (1280 × 720), D1 (704 × 576/704 × 480), VGA (640 × 480), CIF (352 × 288/352 × 240)	Browser	IE: Versions later than IE9 Google: Versions later than Chrome 42 Firefox: Versions later than Firefox 48.0.2
		Management Software	Smart PSS, DSS PRO, NVR, IVSS, DMSS
		Mobile Phone	IOS, Android
		<b>Certification</b>	
		Certifications	CE-LVD: EN60950-1 CE-EMC: Electromagnetic Compatibility Directive 2014/30/EU FCC: 47 CFR FCC Part 15, Subpart B UL/CUL: UL60950-1 CAN/CSA C22.2 No.60950-1-07
		<b>Port</b>	
		RS-485	1 (Bit rate: 1200 bps-115200 bps)

Audio Input	Audio Interface: 2/2 channel In/Out
Audio Output	
Alarm Input	2 channel In: 5mA 5V DC
Alarm Output	2 channel Out: 1000mA 30V DC/500mA 50V AC
<b>Power</b>	
Power Supply	12V DC/24V AC/POE
Power Consumption	<14.4W
<b>Environment</b>	
Operating Temperature	-30°C to +60°C (-22°F to +140°F)
Operating Humidity	≤95%
Storage Temperature	-30°C to +60°C (-22°F to +140°F)
<b>Structure</b>	
Casing	Metal
Dimensions	86 mm×74 mm×150 mm (3.39" × 2.91" × 5.91") (L × W × H)
Net Weight	800g (1.76 lb)
Gross Weight	900g (1.98 lb)

Ordering Information		
Type	Part Number	Description
4MP Camera	DH-IPC-HF7442FP-FR	4MP AI BOX Network Camera
	DH-IPC-HF7442FN-FR	
	IPC-HF7442FP-FR	
	IPC-HF7442FN-FR	
Accessories (optional)	DH-PFB110W	Wall /Ceiling/Plane mount
	DH-PFB121W	Wall Mount
	DH-PLZ21C0-D	10.5-42 mm
	DH-PLZ20C0-D	3.7-16 mm
	DH-PFH610N	Housings

**Accessories**

**Optional:**



**Dimensions (mm/inch)**

