

DH-PFA134

Water-proof Junction Box



Features

- Aesthetic design
- Material: aluminum & SECC
- Water-proof junction box

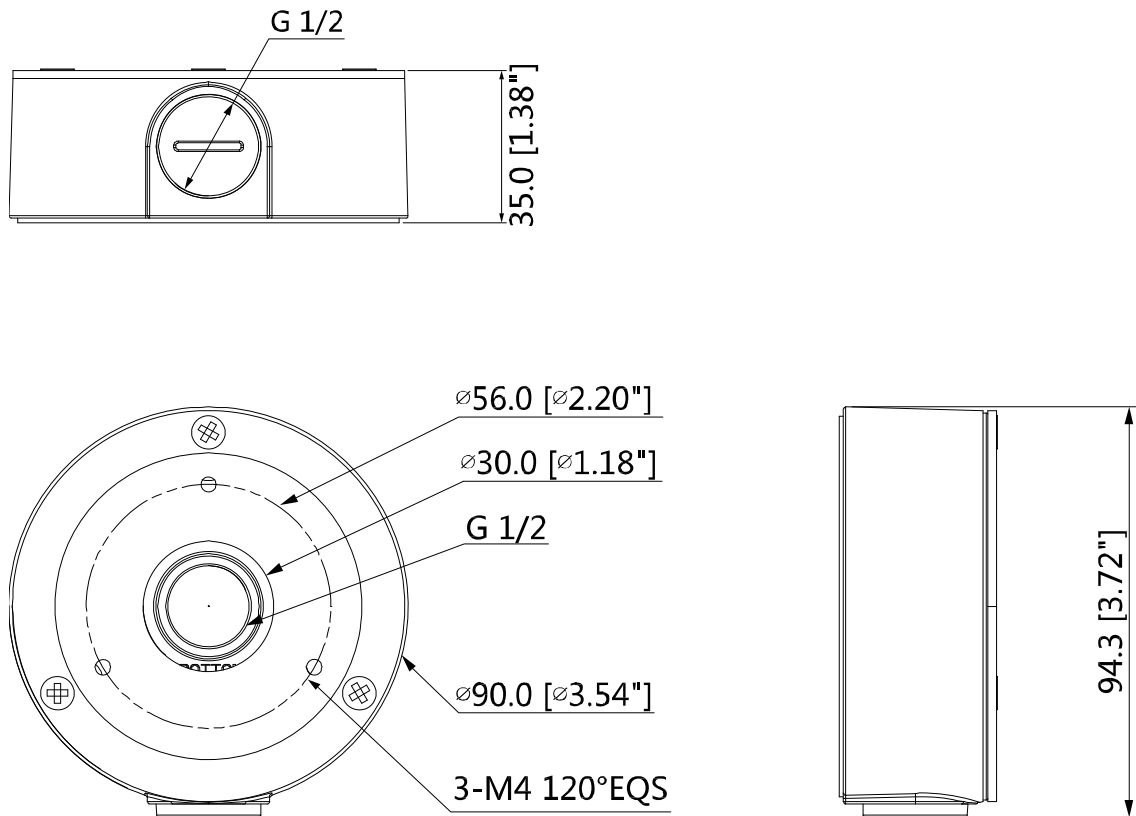
Technical Specifications

| | |
|-----------------------|----------------------------------|
| Model | DH-PFA134 |
| General | |
| Material | Aluminum & SECC |
| Dimension | Φ90.0mmx35.0mm (Φ3.54"x1.38") |
| Inch Thread | M20(G1/2") |
| Load Bearing | 1.0kg(2.2lb) |
| Weight | 0.26kg(0.57lb) |
| Color | White |
| Operating Temperature | -40°C~+60°C(-40°F~+140°F) |
| Humidity | 0~90% RH |
| Applicable Model | Please see "Accessory Selection" |

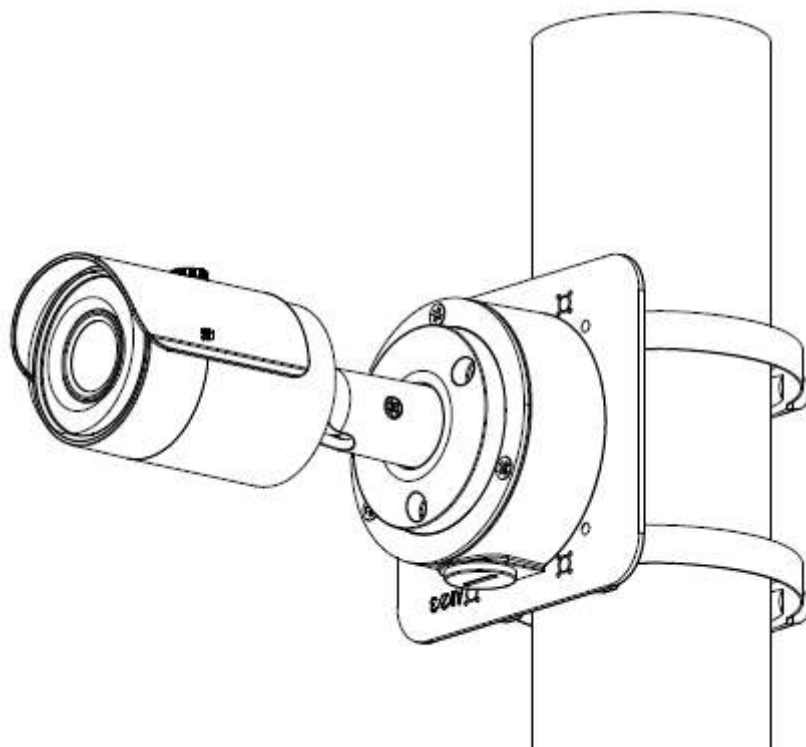
Order Information

| Type | Part Number | Description |
|--------------|-------------|--------------------------|
| Camera Mount | DH-PFA134 | Water-proof junction box |
| | PFA134 | Water-proof junction box |

Dimensions (mm/inch)



Application



Package Information

- Water-proof junction box *1
- M4x10 screw *3
- ST4x25 screw *3
- Plastic anchor *3
- Water-proof joint *1
- Wrench *1