

DH-PFB204W

Water-proof Wall Mount Bracket



Features

- Aesthetic design
- Water-proof wall mount bracket
- Material: aluminum & SECC

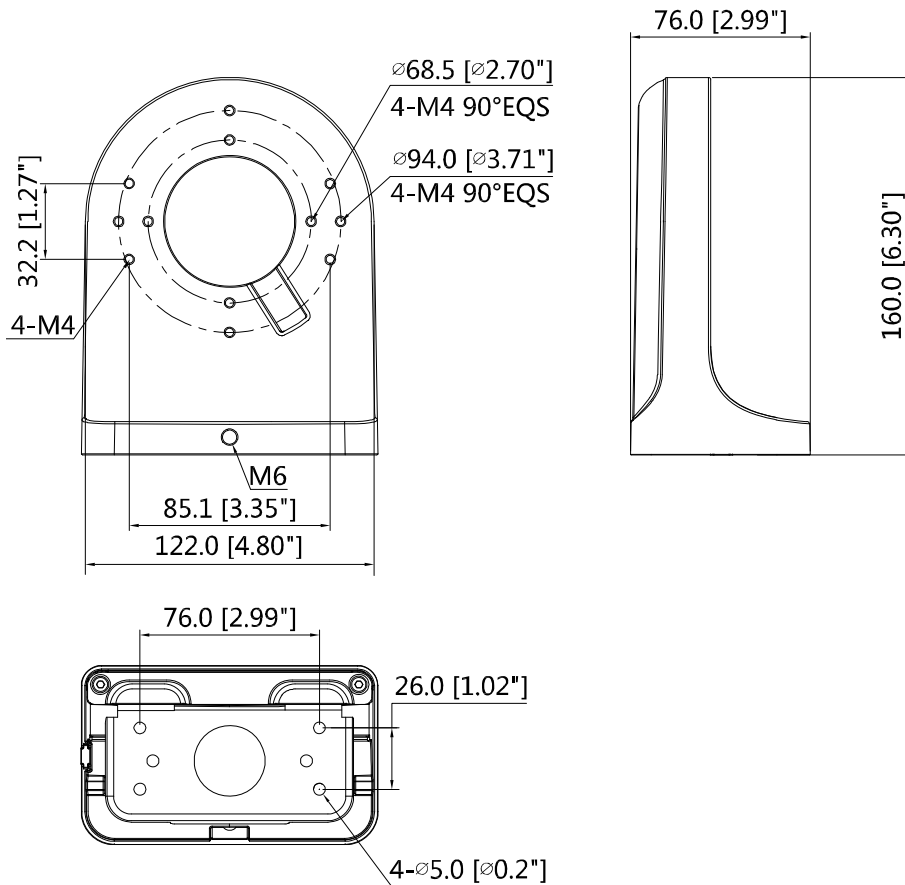
Technical Specifications

| | |
|-----------------------|--------------------------------------|
| Model | DH-PFB204W |
| General | |
| Material | Aluminum & SECC |
| Dimension(WxHxD) | 160mmx122mmx76mm (6.30"x4.80"x2.99") |
| Weight | 0.49kg(1.08lb) |
| Load Bearing | 1kg(2.2lb) |
| Color | White |
| Operating Temperature | -40°C ~ +60°C (-40°F ~ +140°F) |
| Humidity | <90% RH |
| Applicable Model | Please see "Accessory Selection" |

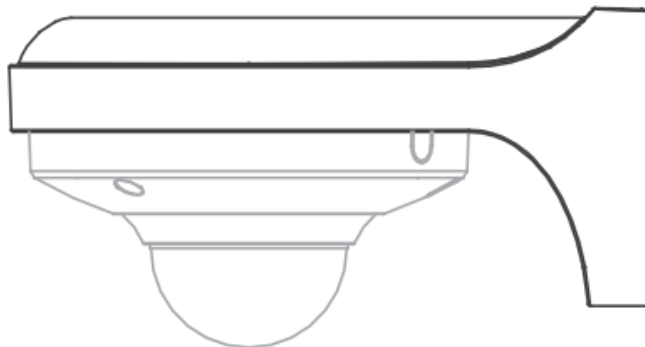
Order Information

| Type | Part Number | Description |
|--------------|-------------|--------------------|
| Camera Mount | DH-PFB204W | Wall mount bracket |
| | PFB204W | Wall mount bracket |

Dimensions (mm/inch)



Application



Package Information

- Wall mount bracket *1
- M4 screw *4
- ST4 screw *4
- Plastic anchor *4
- Wrench *1