



Electromechanical Locking Solutions

Side Load Locks,
Drop Bolts,
Electric Strikes,
Electromagnetic
Locks, Speciality
Locking, Cable
Transfers and
Switches

Symbols



CE Rated
Complies with the requirements of the relevant European health, safety and environmental protection legislation



C-Tick Approved
Applies to electrical and electronic devices, indicating compliance with relevant labelling notices and product standards



Fire Rating
A range of electric strikes and electromagnetic locks are fire rated and comply with AS1905.1.

The electric strikes and electromagnetic locks have been tested on fire door assemblies in accordance with Australian Standards. Please refer to fire door manufacturer for specific approved details.

Table of contents



01 Side Load Locks



02 Drop Bolts



03 Electric Strikes



04 Electromagnetic Locks



05 Speciality Locks



06 Cable Transfers



07 Switches

SL30DBL

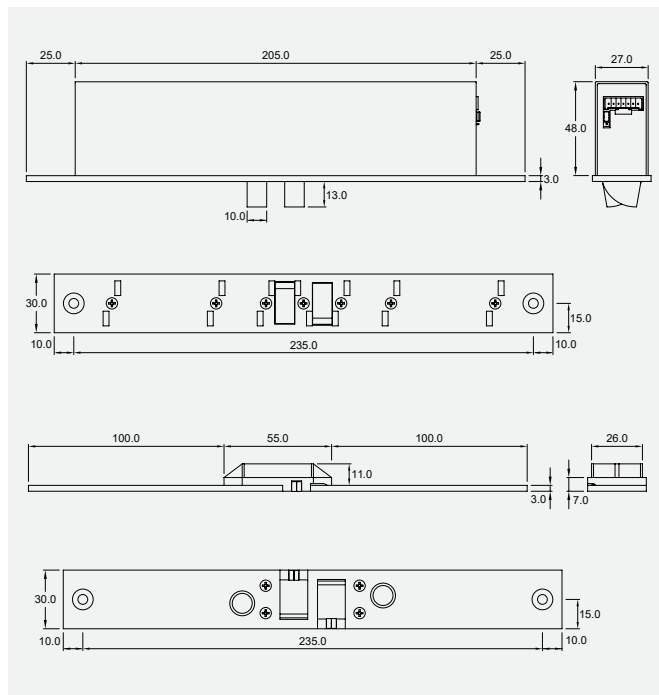
COBALT Electronic Side Load Lock

The electronic side load lock, COBALT, is a motor driven electronic lock designed to secure commercial and residential double action doors.

The lock addresses the two biggest issues in door locking; the ability to align a misaligned door and the ability to release when requested, even with excessive load on the door. Reliable, secure, convenient.

Features

- Door misalignment of up to 8mm is corrected
- Side load release - up to 100kgs
- Automatic deadbolting
- Two, 10mm thick stainless steel bolt pin
- Reverse polarity and transient protection
- Multiple attempts to lock
- Convert from fail safe to fail secure by repositioning a single jumper
- Door and bolt position monitors
- Mortice mount horizontally or vertically, on double acting doors
- Surface mount with the aid of the SL30DBL accessories, including mounting onto glass



Dimensions - Lock

| Item | Article Number | Description |
|-----------------------------------|----------------|------------------------------------|
| SL30DBL | 9400000003117 | SL30DBL COBALT LOCK 12-24VDC MNTD |
| SL30DBL to retrofit V Lock | | |
| SL30VDBL | 9400000003460 | SL30DBL COBALT FOR V LOCK RETROFIT |

Specifications

| | |
|--------------------------|----------------------------------|
| Lock | 255L x 30W x 51D(mm) |
| Long Strike | 255L x 30W x 14D(mm) |
| Housing | 258L x 34W x 55D(mm) |
| Dress Plate | 260L x 0.7W x 58D(mm) |
| Holding Force | 10,000N (1000Kg) |
| Door Misalignment | +/- 8mm |
| Side Load Release | Up to 100kg opening load on door |
| Voltage at Lock | 12 - 24VDC +/-15% |
| Current Usage | |
| Holding | <50mA@12V, <30mA@24V |
| Operating | <250mA@12V, <200mA@24V |
| Stall | <1A@12V, <0.5A@24V |
| Monitors Switches | |
| Bolt Position | 30VDC, 0.1A |
| Door Position | 100VDC, 0.5A |
| Endurance | 300,000 cycles normal operation |

SL30SGL

COBALT - mini Electronic Side Load Lock

The electronic side load lock, COBALT-mini, is a motor driven electronic lock designed to secure commercial and residential single action doors.

Its small footprint ensures the Cobalt-mini can be installed in most locations however it still has the ability to pull a door in tightly against a seal and will release instantly when requested, even with excessive load on the door.

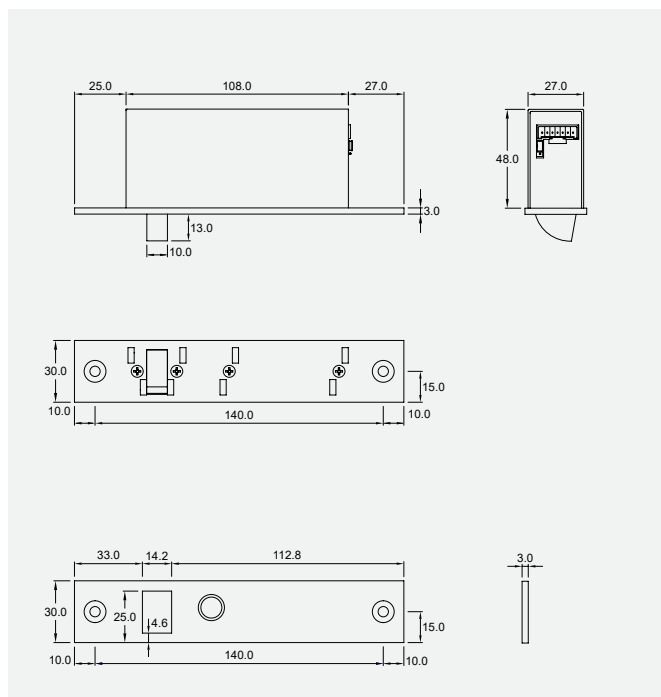
Features

- Door misalignment of up to 8mm is corrected
- Side load release - up to 100kgs
- Automatic deadbolting
- 10mm thick stainless steel bolt pin
- Reverse polarity and transient protection
- Multiple attempts to lock
- Convert from fail safe to fail secure by repositioning a single jumper
- Door and bolt position monitors
- Mortice mount horizontally or vertically, on single acting doors
- Surface mount with the aid of the SLA30SGL accessories, including mounting onto glass



Specifications

| | |
|------------------------------|----------------------------------|
| Lock | 160L x 30W x 51D(mm) |
| Long Strike - SLA213H | 160L x 30W x 14D(mm) |
| Housing - SLA214J | 163L x 34W x 55D(mm) |
| Dress Plate - SLA216J | 165L x 0.7W x 58D(mm) |
| Holding Force | 10,000N (1000Kg) |
| Door Misalignment | Up to 8mm |
| Side Load Release | Up to 100kg opening load on door |
| Voltage at Lock | 12 - 24VDC +/-15% |
| Current Usage | |
| Holding | <50mA@12V, <30mA@24V |
| Operating | <250mA@12V, <200mA@24V |
| Stall | <1A@12V, <0.5A@24V |
| Monitors Switches | |
| Bolt Position | 30VDC, 0.1A |
| Door Position | 100VDC, 0.5A |
| Endurance | 300,000 cycles normal operation |



Dimensions - Lock

| Item | Article Number | Description |
|-----------------------------------|----------------|---|
| SL30SGL | 9400000003118 | SL30SGL COBALT MINI LOCK 12-24VDC MNTD |
| SL30SGL to retrofit V Lock | | |
| SL30VSGL | 9400000003459 | SL30SGL COBALT MINI FOR V LOCK RETROFIT |

Side Load Locks

Accessories - SL30 Series



SLA203H
Long Square Hole Strike
255L x 30W x 14D(mm)



SLA204J
Housing
258L x 34W x 55D(mm)



SLA206J
Dress Plate
260L x 0.7W x 58D(mm)



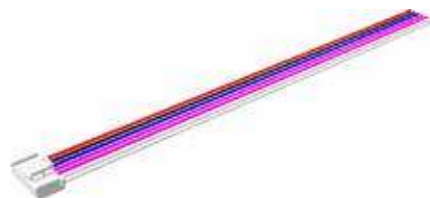
SLA213H
Long Square Hole Strike
160L x 30W x 14D(mm)



SLA214J
Housing
163L x 34W x 55D(mm)



SLA216J
Dress Plate
165L x 0.7W x 58D(mm)



YNL209
SL30DBL/SL30SGL
Wire Loom

| Item | Article Number | Description |
|---------|----------------|--|
| SLA203H | 9400000003119 | SLA203H LONG SQR HOLE STRIKE FOR SL30DBL |
| SLA204J | 9400000003120 | SLA204J SURF FIX HOUSING FOR SL30DBL |
| SLA206J | 9400000003121 | SLA206J DRESS PLATE SL30DBL |
| SLA213H | 9400000003122 | LONG SQUARE HOLE STRIKE FOR SL30SGL |
| SLA214J | 9400000003123 | SLA214J SURF FIX HOUSING FOR SL30SGL |
| SLA216J | 9400000003124 | SLA216J DRESS PLATE FOR SL30SGL |
| YNL209 | 9400000003305 | COBALT SL30DBL/SL30SGL WIRE LOOM |

DB25

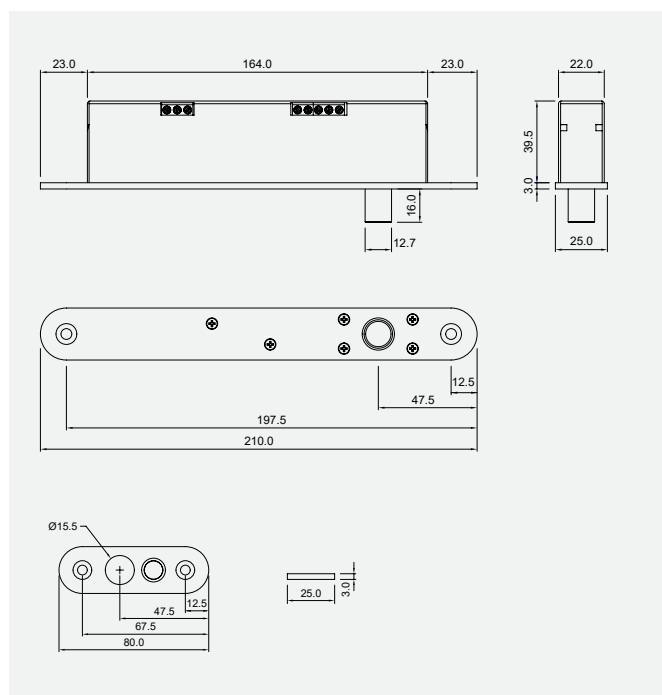
Electronic Deadbolt Lock

The DB25 incorporates advanced design, quality and electronic ingenuity to provide a secure, yet versatile, door locking device.

With integrated access control features and robust engineering, the DB25 is a high security streamlined lock suitable for use on any single or double acting door.

Features

- Automatic deadbolting
- 12.7mm diameter stainless steel bolt pin
- Anti-tailgate and Anti-tamper
- Auto-relock after 0/3/6/9 seconds
- Multiple attempts to lock and unlock
- Thermal overheating protection
- Reverse polarity and transient protection
- Dual monitoring with door and bolt position monitors
- Mortise mount horizontally or vertically, on single or double acting doors
- Surface mount with the aid of the DB25 accessories, including mounting onto glass



Dimensions - Lock



Specifications

| | |
|-------------------------------|-------------------------------------|
| Lock | 210L x 25W x 42D(mm) |
| Short Strike - DBA103A | 80L x 25W x 3D(mm) |
| Long Strike - DBA103E | 210L x 25W x 3D(mm) |
| Housing - DBA104J | 225L x 29W x 46.5D(mm) |
| Dress Plate - DBA106J | 225L x 0.7W x 50D(mm) |
| Holding Force | 10,000N (1000Kg) |
| Voltage at Lock | 12 - 24VDC +/-10% |
| Current Usage | |
| Holding | 160mA@12V, 95mA@24V |
| Operating | 1.25A@12V, 1A@24V |
| Monitors Switches | |
| Bolt Position | 25VDC, 0.5A |
| Door Position | 100VDC, 0.5A |
| Endurance | Cycle tested to 1000000 operations |
| Materials | Plastics: POM, Stainless Steel: 304 |

| Item | Article Number | Description |
|---------|----------------|--|
| DB25PTL | 9400000003473 | DB25PTL D/BOLT 12-24VDC F/SAFE MONT'D |
| DB25PTO | 9400000003474 | DB25PTO D/BOLT 12-24VDC F/SECURE MNT'D |

DB25L

Electronic Deadbolt Lock - Mag-latch

The DB25L incorporates a unique latching device that is a world first in electronic deadbolts.

Door alignment problems vanish with the innovative design which ensures the correct positioning of the lock and strike every time. Incorporating access control functions, and the highest quality componentry

Drop Bolts

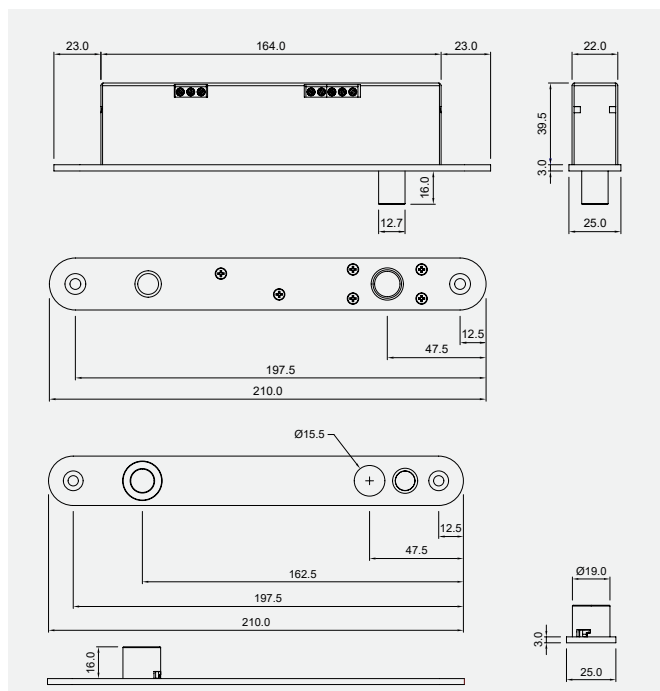
Features

- Dual Action - magnetic latch to capture the door and deadbolt to secure the door
- Automatic deadbolting
- 12.7mm diameter stainless steel bolt pin
- Anti-tailgate and Anti-tamper
- Auto-relock after 0/3/6/9 seconds
- Multiple attempts to lock and unlock
- Thermal overheating protection
- Reverse polarity and transient protection
- Dual monitoring with door and bolt position monitors
- Mortise mount horizontally or vertically, on single or double acting doors
- Surface mount with the aid of the DB25L accessories, including mounting onto glass



Specifications

| | |
|------------------------------|-------------------------------------|
| Lock | 210L x 25W x 42D(mm) |
| Long Strike - DBA133E | 210L x 25W x 3D(mm) |
| Housing - DBA104J | 225L x 29W x 46.5D(mm) |
| Dress Plate - DBA106J | 225L x 0.7W x 50D(mm) |
| Holding Force | 10,000N (1000Kg) |
| Voltage at Lock | 12 - 24VDC +/-10% |
| Current Usage | |
| Holding | 160mA@12V, 95mA@24V |
| Operating | 1.25A@12V, 1A@24V |
| Monitors Switches | |
| Bolt Position | 25VDC, 0.5A |
| Door Position | 100VDC, 0.5A |
| Endurance | Cycle tested to 1000000 operations |
| Materials | Plastics: POM, Stainless Steel: 304 |



Dimensions - Lock

| Item | Article Number | Description |
|----------|----------------|--|
| DB25LPTL | 9400000001816 | DB25L D/BOLT W/LATCH 12-24VDC F/SAFE MTD |
| DB25LPTO | 9400000001817 | DB25L D/BOLT W/LATCH 12-24VDC F/SEC MTD |

DB25K

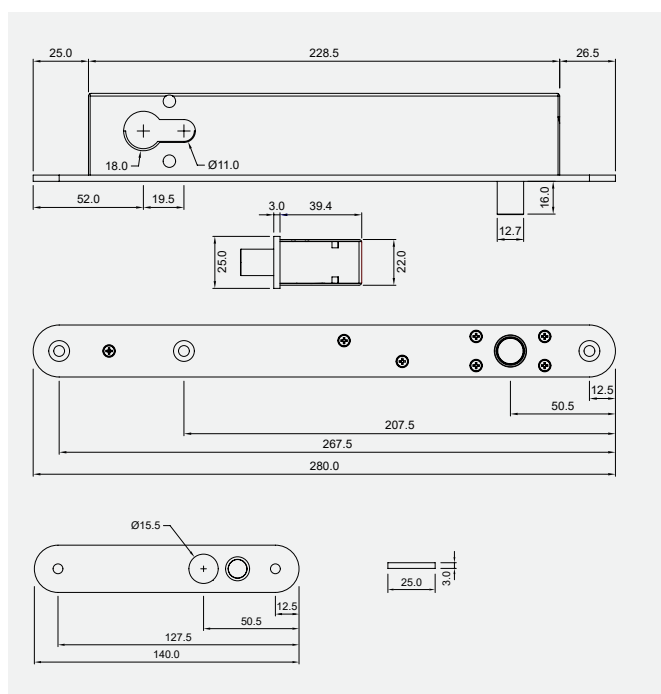
Electronic Deadbolt Lock

Incorporates the same advanced design, quality and electronic ingenuity as the DB25 with the added flexibility of a manual key override.

Despite the addition of the key override mechanism the streamlined design is maintained allowing the DB25K to provide a high security, yet versatile, door locking solution.

Features

- A Euro style key cylinder can be used to manually control the lock
- Automatic deadbolting
- 12.7mm diameter stainless steel bolt pin
- Anti-tailgate and Anti-tamper
- Auto-relock after 0/3/6/9 seconds
- Multiple attempts to lock and unlock
- Thermal overheating protection
- Reverse polarity and transient protection
- Dual monitoring with door and bolt position monitors
- Mortise mount horizontally or vertically, on single or double acting doors
- Surface mount with the aid of the DB25K accessories, including mounting onto glass



Dimensions - Lock

| Item | Article Number | Description |
|----------|----------------|--|
| DB25KPTL | 9400000001814 | DB25K D/BOLT KEY O/R 12-24VDC F/SAFE MTD |
| DB25KPTO | 9400000001815 | DB25K D/BOLT KEY O/R 12-24VDC F/SEC MTD |



Specifications

| | |
|--------------------------|-------------------------------------|
| Lock | 280L x 25W x 42D(mm) |
| Short Strike - DBA143A | 140L x 25W x 3D(mm) |
| Long Strike - DBA143E | 280L x 25W x 3D(mm) |
| Bolt Housing - DBA144J | 294L x 29W x 46.5D(mm) |
| Strike Housing - DBA145J | 294L x 29W x 46.5D(mm) |
| Dress Plate - DBA146J | 294L x 0.7W x 50D(mm) |
| Holding Force | 10,000N (1000Kg) |
| Voltage at Lock | 12 - 24VDC +/-10% |
| Current Usage | |
| Holding | 160mA@12V, 95mA@24V |
| Operating | 1.25A@12V, 1A@24V |
| Monitors Switches | |
| Bolt Position | 25VDC, 0.5A |
| Door Position | 100VDC, 0.5A |
| Endurance | Cycle tested to 1000000 operations |
| Materials | Plastics: POM, Stainless Steel: 304 |

DB38

Electronic Deadbolt Lock - Heavy Duty

Offering the highest level of security with increased strength, primarily achieved by utilizing a larger diameter bolt pin, the DB38 is the preferred option when high physical strength is required.

Incorporating advanced design, quality and electronic ingenuity to provide a secure, yet versatile, door locking device suitable for use on any single or double acting door.

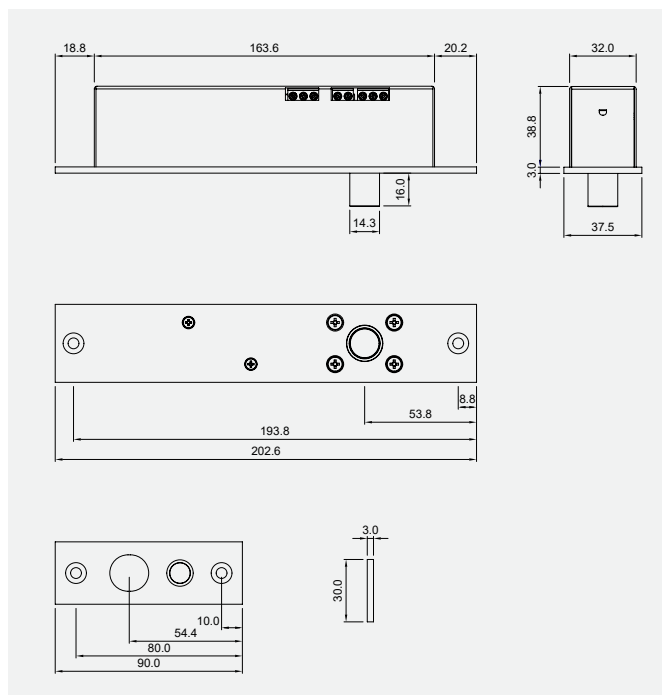
Features

- Automatic deadbolting
- 14.2mm diameter stainless steel bolt pin
- Anti-tailgate and Anti-tamper
- Auto-relock after 0/3/6/9 seconds
- Multiple attempts to lock and unlock
- Thermal overheating protection
- Reverse polarity and transient protection
- Dual monitoring with door and bolt position monitors
- Mortise mount horizontally or vertically, on single or double acting doors
- Surface mount with the aid of the DB38 accessories, including mounting onto glass



Specifications

| | |
|-------------------------------|-------------------------------------|
| Lock | 203L x 37.5W x 44D(mm) |
| Short Strike - DBA173C | 90L x 30W x 3D(mm) |
| Long Strike - DBA173G | 203L x 37.5W x 3D(mm) |
| Housing - DBA174J | 206L x 41W x 49D(mm) |
| Dress Plate - DBA176J | 210L x 0.7W x 50D(mm) |
| Holding Force | 20,000N (2000Kg) |
| Voltage at Lock | 12 - 24VDC +/-10% |
| Current Usage | |
| Holding | 230mA@12V, 90mA@24V |
| Operating | 1.5A@12V, 1.4A@24V |
| Monitors Switches | |
| Bolt Position | 25VDC, 0.5A |
| Door Position | 100VDC, 0.5A |
| Endurance | Cycle tested to 1000000 operations |
| Materials | Plastics: POM, Stainless Steel: 304 |



Dimensions - Lock

| Item | Article Number | Description |
|---------|----------------|--|
| DB38PTL | 9400000001820 | DB38PTL D/BOLT 12-24VDC F/SAFE MNT'D |
| DB38PTO | 9400000001821 | DB38PTO D/BOLT 12-24VDC F/SECURE MNT'D |

DB38L

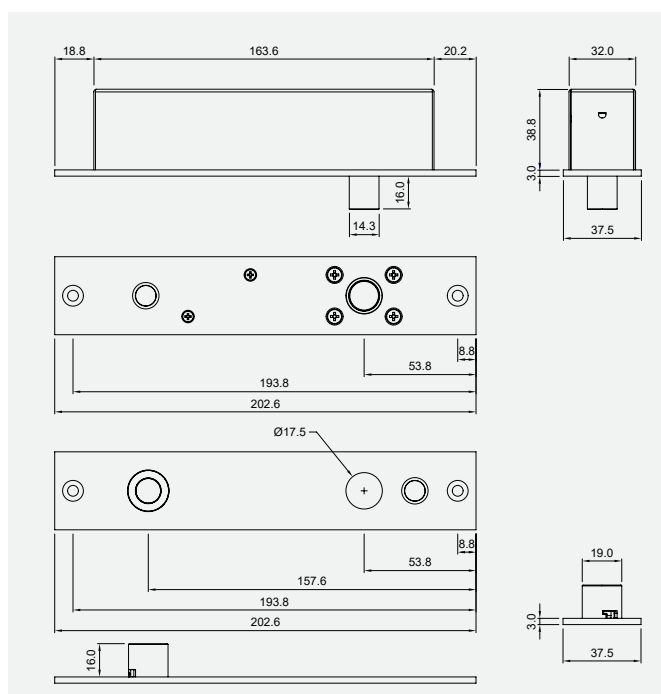
Electronic Deadbolt Lock - Mag-latch

The DB38L brings together two critical features; the highest holding force of any of the door lock range of products and the innovative latching device designed to align the door.

First the magnetic latch ensures the correct positioning of the lock and strike before the DB38L activates and secures the door with its deadbolting pin.

Features

- Dual Action - magnetic latch to capture the door and deadbolt to secure the door
- Automatic deadbolting
- 14.2mm diameter stainless steel bolt pin
- Anti-tailgate and Anti-tamper
- Auto-relock after 0/3/6/9 seconds
- Multiple attempts to lock and unlock
- Thermal overheating protection
- Reverse polarity and transient protection
- Dual monitoring with door and bolt position monitors
- Mortise mount horizontally or vertically, on single or double acting doors
- Surface mount with the aid of the DB38L accessories, including mounting onto glass



Dimensions - Lock

| Item | Article Number | Description |
|----------|----------------|---|
| DB38LPTL | 940000001818 | DB38L D/BOLT W/LATCH12-24VDC F/SAFE MTD |
| DB38LPTO | 940000001819 | DB38L D/BOLT W/LATCH 12-24VDC F/SEC MTD |



Specifications

| | |
|------------------------------|-------------------------------------|
| Lock | 203L x 37.5W x 44D(mm) |
| Long Strike - DBA183G | 203L x 37.5W x 19D(mm) |
| Housing - DBA174J | 206L x 41W x 49D(mm) |
| Dress Plate - DBA176J | 210L x 0.7W x 50D(mm) |
| Holding Force | 20,000N (2000Kg) |
| Voltage at Lock | 12 - 24VDC +/-10% |
| Current Usage | |
| Holding | 230mA@12V, 90mA@24V |
| Operating | 1.5A@12V, 1.4A@24V |
| Monitors Switches | |
| Bolt Position | 25VDC, 0.5A |
| Door Position | 100VDC, 0.5A |
| Endurance | Cycle tested to 1000000 operations |
| Materials | Plastics: POM, Stainless Steel: 304 |

Drop Bolt

Accessories - DB25 Series



DBA103A
Short Strike
80L x 25W x 3D(mm)



DBA103E
Long Strike
210L x 25W x 3D(mm)



DBA104J
Housing
225L x 29W x 46.5D(mm)



DBA106J
Dress Plate
225L x 0.7W x 50D(mm)



DBA133E
Long Round Hole Strike
210L x 25W x 3D(mm)



DBA143A
Short Round Hole Strike
140L x 25W x 3D(mm)



DBA143E
Long Round Hole Strike
280L x 25W x 3D(mm)



DBA144J
Bolt Housing
294L x 29W x 46.5D(mm)



DBA145J
Strike Housing
294L x 29W x 46.5D(mm)



DBA146J
Dress Plate
294L x 0.7W x 50D(mm)

| Item | Article Number | Description |
|---------|----------------|---|
| DBA103A | 9400000003475 | DBA103A SHORT STRIKE ROUND DB25 |
| DBA103E | 9400000003476 | DBA103E LONG STRIKE ROUND DB25 |
| DBA104J | 9400000001822 | DBA104J SURF FIX HOUSING DB25/DB25L |
| DBA106J | 9400000001823 | DBA106J DRESS PLATE FOR DB25/DB25L |
| DBA133E | 9400000003477 | DBA133E LONG RND HOLE STRIKE FOR DB25L |
| DBA143A | 9400000003478 | DBA143A SHORT RND HOLE STRIKE FOR DB25K |
| DBA143E | 9400000003479 | DBA143E LONG RND HOLE STRIKE FOR DB25K |
| DBA144J | 9400000003480 | DBA144J SURF FIX HOUSING FOR DB25K BOLT |
| DBA145J | 9400000003481 | DBA145J SURF HOUSING FOR DB25K STRIKE |
| DBA146J | 9400000003482 | DBA146J DRESS PLATE FOR DB25K |

Drop Bolt

Accessories - DB 38 Series



DBA173C
Short Round Hole Strike
90L x 30W x 3D(mm)



DBA173G
Long Round Hole Strike
203L x 37.5W x 3D(mm)



DBA174J
Housing
206L x 41W x 49D(mm)



DBA176J
Dress Plate
210L x 0.7W x 50D(mm)



DBA183G
Long Round Hole Strike

| Item | Article Number | Description |
|---------|----------------|---|
| DBA173C | 9400000003483 | DBA173C SHORT RND HOLE STRIKE FOR DB38 |
| DBA173G | 9400000001824 | LONG ROUND HOLE STRIKE FOR DB38 |
| DBA176J | 9400000003484 | DBA176J DRESS PLATE FOR DB38/DB38L |
| DBA174J | 9400000009885 | DBA174J SURF FIX HOUSING FOR DB38/DB38L |
| DBA183G | 9400000003485 | DBA183G LONG RND HOLE STRIKE FOR DB38L |

KES100

Non Monitored Electric Strike

The KES100 Series ANSI electric strike is an economical choice, offering dual voltage 12/24V as standard and an interchangeable fail safe/fail secure feature.

It is constructed of solid zinc alloy housing, a stainless steel keeper and stainless steel face plate. Designed for use with large selection of morticed type locks and has a keeper depth of 16mm. Also included in the package is a 202mm long faceplate, making a single model suitable for all types of wooden, steel and aluminium door frames. Supplied as standard with trim plate to cover any damage to frame during installation.

Features

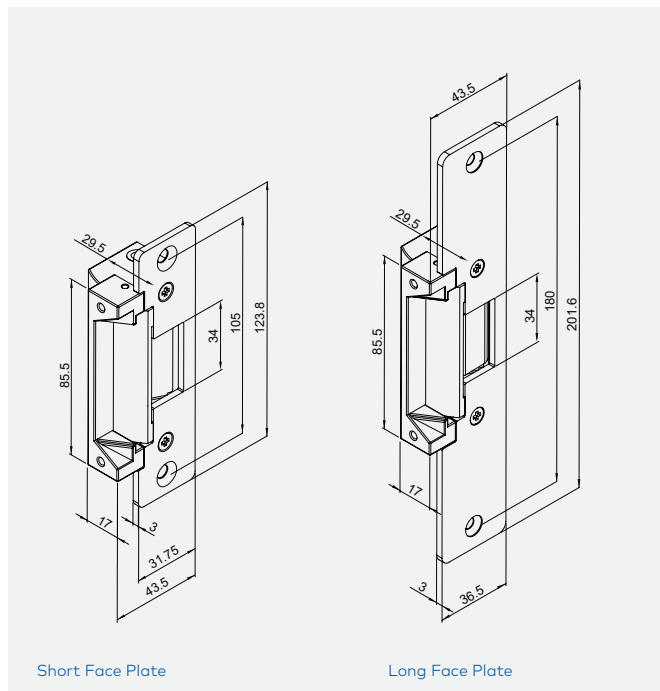
- Fail safe/fail secure interchangeable
- Dual voltage 12/24VDC
- 16mm keeper (allowing 19mm latch throw)
- Includes long face plate for timber frame installation
- Includes trim plate
- Holding force 700kgs (1500lbs) specification
- Optional lip extension brackets are available for wide door jamb



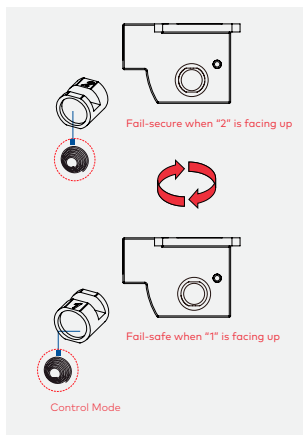
Specifications

| | |
|------------------------------|---|
| Short Face Plate | 124L x 43.5W x 29.5D(mm) |
| Long Face Plate | 202L x 43.5W x 29.5D(mm) |
| Holding strength | 700kgs |
| Operating voltage | 12/24VDC |
| Voltage tolerance | +/-15% |
| Current draw | 250mA/12VDC, 150mA/24VDC |
| Operating temperature | -10° C ~ +45°C |
| Humidity | 0-95% |
| Latch throw | 19mm |
| Material | Zinc alloy body stainless steel faceplate and keeper |

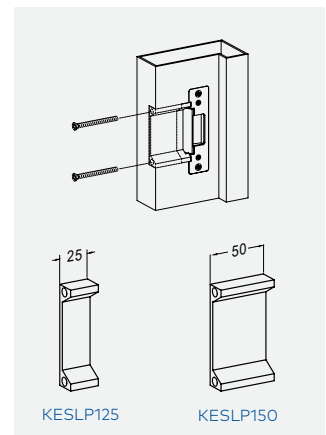
Electric Strikes



Dimensions - Lock



Version Changeable



Optional Accessories

| Item | Article Number | Description |
|--------|----------------|--|
| KES100 | 940000002461 | ANSI SIZE ELEC STRIKE 12/24VDC NON MTD |

KES1500

Rim Mounted Electric Strike

The KES1500 Series rim mounted electric strike is an economical choice, offering dual voltage 12/24V as standard and an interchangeable fail safe/fail secure feature.

It is constructed of a solid zinc alloy housing, stainless steel keeper and stainless steel face plate. Designed for use with a large selection of rim mounted lock types. Suitable for wood framed and hollow metal doors.

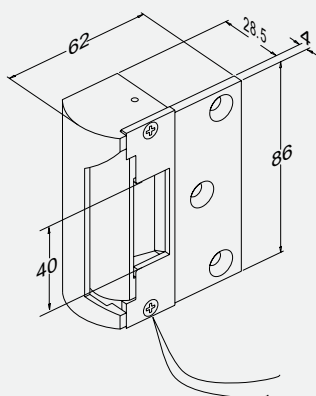
Features

- Fail safe/fail secure interchangeable
- Dual voltage 12/24V
- Suits latch depth up to 15mm
- Holding force: up to 900kg (2000lb)

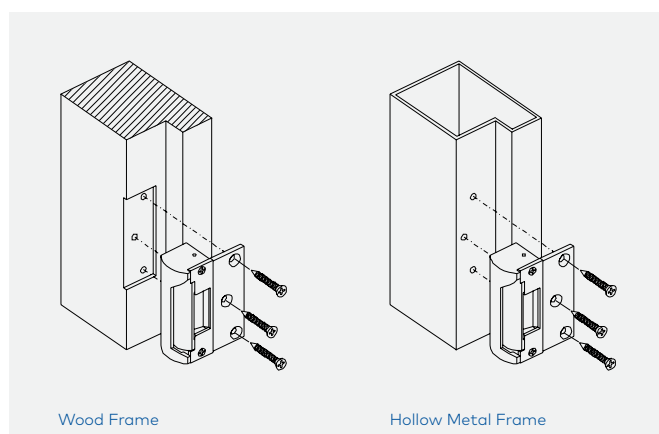


Specifications

| | |
|------------------------------|--|
| Lock | 62L x 86W x 28.5D (mm) |
| Holding strength | 900kgs |
| Operating voltage | 12/24VDC |
| Voltage tolerance | +/-15% |
| Current draw | 0.25 A/12VDC: 0.15 A/24VDC (at temperature 20°C) |
| Operating temperature | -10° C ~ +45°C |
| Humidity | 0-95% non-condensing |
| Cycle Tested | to 1 million cycles |
| Material | Zinc alloy body stainless steel faceplate & release lip |



Dimensions - Lock



Typical Installation

| Item | Article Number | Description |
|---------|----------------|--|
| KES1500 | 940000002462 | RIM MOUNT ELEC STRIKE 12/24VDC NON MTD |

KES200Z

Non Monitored Electric Strike

The KES200Z Series is an economical electric strike, designed for use with a large selection of mortice, key in knob and key in lever type locks in both timber and metal frames.

The KES200Z also offers variable voltage from 12VAC/DC to 28VAC/DC as well as a fast and convenient interchangeable fail safe/fail secure function (changeable on site). The unit comes pre-drilled for the optional extension lips. Also included in package is an installation kit for metal frame installation.

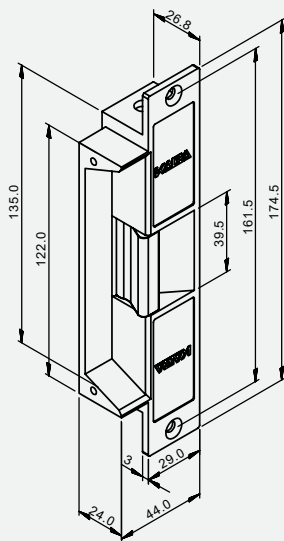
Features

- Fail safe/fail secure interchangeable
- Variable voltage 12~28VAC/DC
- Suits latch depth up to 15mm
- Pre-drilled for optional extension lips
- Includes mounting tabs for metal frame
- Static holding force 800kgs (1750lbs)

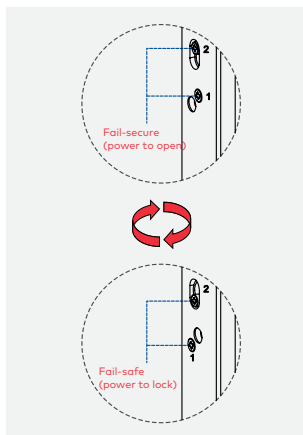


Specifications

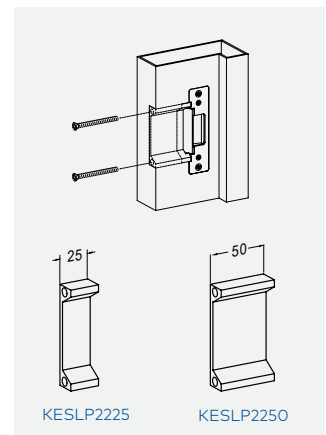
| | |
|------------------------------|--|
| Lock | 175L x 44W x 27D(mm) |
| Holding strength | 800kgs |
| Operating voltage | 12~28VAC/DC |
| Voltage tolerance | +/-15% |
| Current draw | 230mA/12VDC, 140mA/28VDC 440mA/12VAC, 230mA/28VAC |
| Operating temperature | -10° C ~ +45°C |
| Humidity | 0-95% non-condensing |
| Cycle Tested | to 1 million cycles |
| Material | Zinc alloy housing stainless steel keeper |



Dimensions - Lock



Version Changeable



Optional Accessories

| Item | Article Number | Description |
|---------|----------------|---|
| KES200Z | 9400000002463 | ELEC STRIKE Z/ALLOY 12-28VDC/AC NON MTD |

KES2200

Fully Monitored Electric Strike

The KES2200 Series is a high security electric strike, offering a single model including switch monitoring of latch, keeper and solenoid, variable voltage from 12VDC/AC to 28VDC/AC, a fast and convenient interchangeable fail safe/fail secure function (changeable on site).

The construction of housing and keeper are of stainless steel and include pre-drilled holes for optional extension lips. Also included in package is an installation kit for metal frame installation.

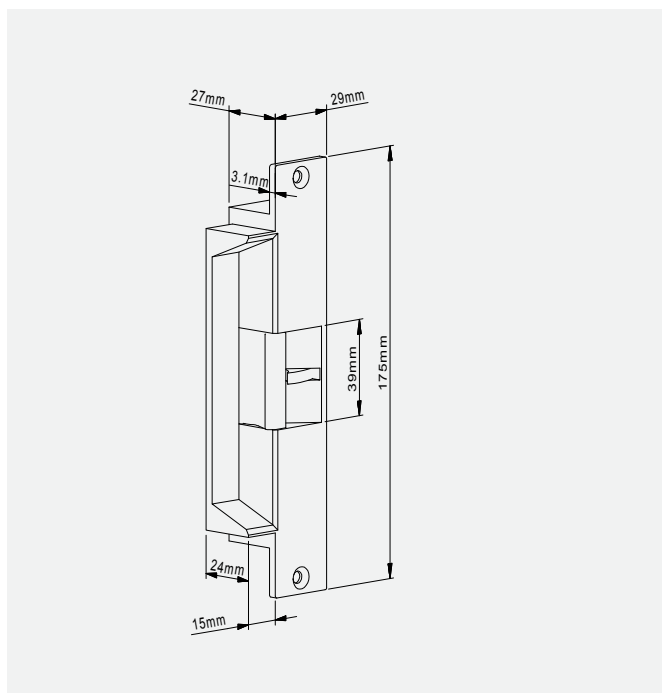
Features

- Fail safe/fail secure interchangeable
- Variable voltage 12~24VDC
- Suits latch depth up to 15mm
- Monitored latch, keeper and solenoid
- Pre-drilled for optional extension lips
- Includes mounting tabs for metal frame
- Solid stainless steel construction
- Static holding force 920kgs (2000lbs)

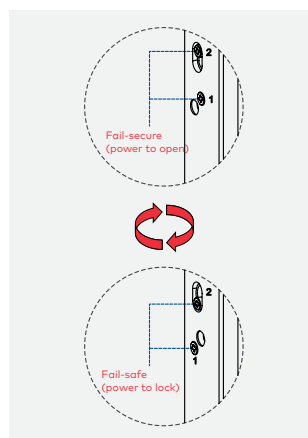


Specifications

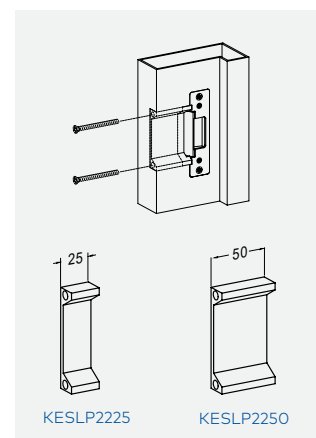
| | |
|---|--|
| Lock | 175L x 44W x 27D(mm) |
| Holding strength | 920kgs |
| Operating voltage | 12-24VDC |
| Voltage tolerance | +/-15% |
| Current draw | 230mA/12VDC, 140mA/28VDC 440mA/12VAC, 230mA/28VAC |
| Latch/Keeper Micro Switch Rating | 1A/125VAC |
| Operating temperature | -10° C ~ +45° C |
| Humidity | 0-95% non-condensing |
| Cycle Tested | to 1 million cycles |
| Material | stainless steel housing and keeper |



Dimensions - Lock



Version Changeable



Optional Accessories

| Item | Article Number | Description |
|---------|----------------|------------------------------------|
| KES2200 | 940000002464 | ELEC STRIKE H/DUTY 12-28VDC/AC MTD |

KES900S

Preload Electric strike – Monitored Stainless Steel

The KES900S Electric strike with pre-load feature is capable of opening when activated with up to 35kgs of pressure. Commonly caused by air conditioning, doors that have dropped or warped or the addition of door seals. Constructed of Stainless-Steel housing and keeper offering a high level of security that can withstand up to 1000kgs of static force

The KES900S offers dual voltage of 12VDC/24VDC and includes convenient fail safe/Fail secure function (changeable on site). Also included are pre-drilled holes for optional extension lips and installation tabs for metal frame.

Features

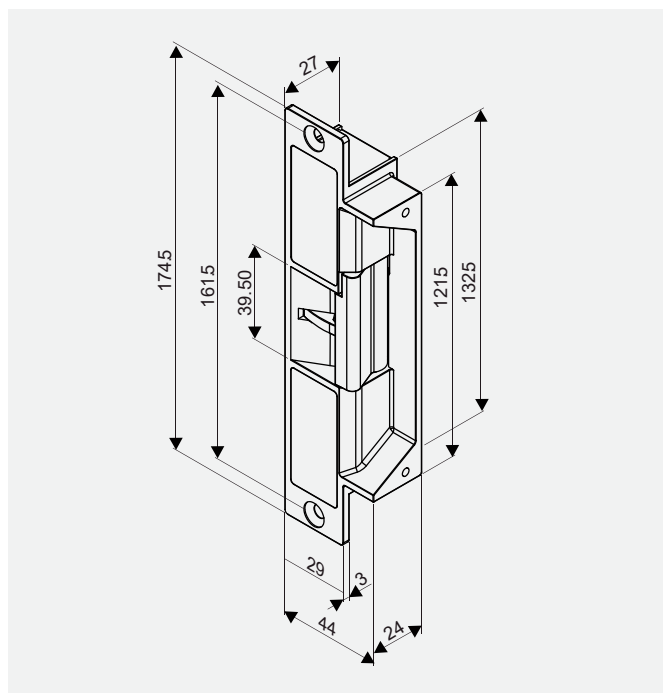
- Field reversible fail-safe/fail-secure
- Operating voltage 12VDC/24VDC
- Monitored latch & lock status
- Suits latch throw up to 18mm
- Preload – Up to 35kg (80lbs)
- Pre-drilled for optional extension lips
- Includes mounting tabs for metal frame
- Stainless steel construction (Fire-rated)
- Static holding force of 1000kg (2200lbs)



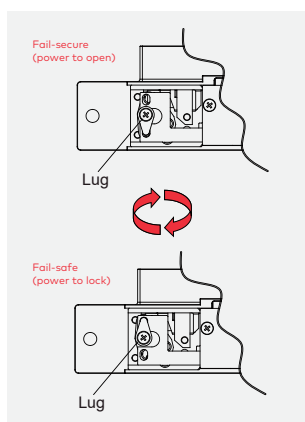
Specifications

| | |
|------------------------------|--|
| Lock | 1745L x 44W x 27D(mm) |
| Holding strength | 680kgs |
| Preload | 35kg |
| Operating voltage | 12/24VDC |
| Voltage tolerance | +/-15% |
| Current draw | 600mA/12VDC, 300mA/24VDC |
| Operating temperature | -10° C ~ +49°C |
| Humidity | 0-85% non-condensing |
| Operating mode | fail secure/fail secur |
| Cycle Tested | to 1 million cycles |
| Material | Zinc alloy housing stainless steel keeper |

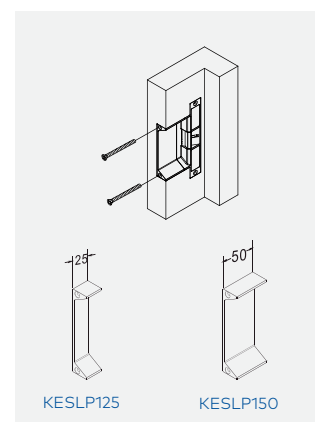
Electric Strikes



Dimensions - Lock



Version Changeable



Optional Accessories

| Item | Article Number | Description |
|---------|----------------|---|
| KES900S | 9400000012900 | KES900S Electric Strike SS MTD 12/24VDC |

KES900Z

Preload Electric strike – Monitored Zinc Alloy

The KES900Z Electric strike provides a pre-load function capable of opening electrically with up to 35kgs of pressure being applied, commonly caused by air conditioning, doors that have dropped or warped or the addition of door seals. Due to the Zinc Alloy construction it is an economic solution, perfectly suited for Non fire-rated applications such as residential & aluminium fabricated solutions.

The KES900Z offers dual voltage of 12VDC/24VDC and includes convenient fail safe/Fail secure function (changeable on site). Also included are pre-drilled holes for optional extension lips and installation kit for metal frame installation.

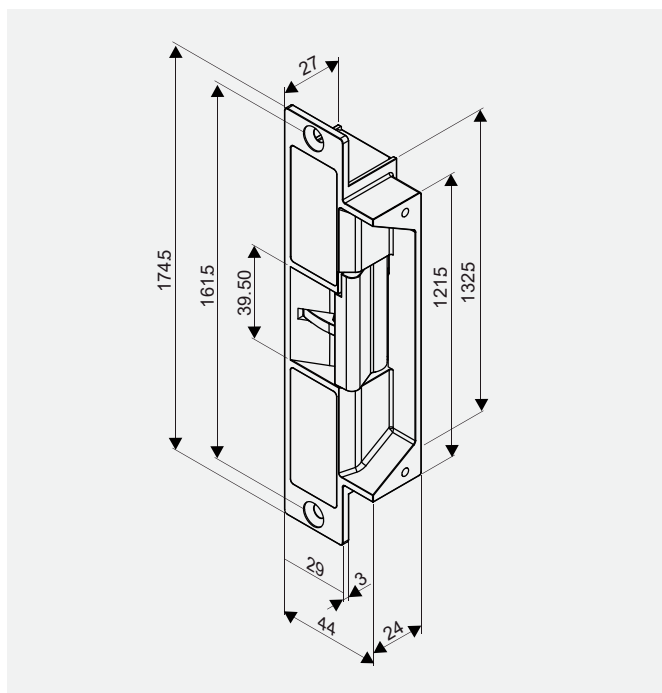
Features

- Field reversible fail-safe/fail-secure
- Operating voltage 12VDC/24VDC
- Monitored latch & lock status
- Suits latch throw up to 18mm
- Preload – Up to 35kg (80lbs)
- Pre-drilled for optional extension lips
- Includes mounting tabs for metal frame
- Zinc Alloy construction (Non fire-rated)
- Static holding force of 680kg (1500lbs)

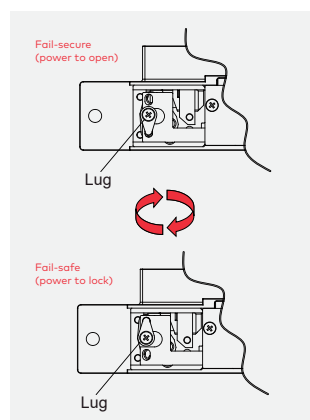


Specifications

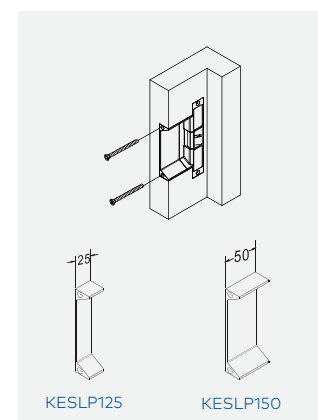
| | |
|------------------------------|---|
| Lock | 1745L x 44W x 27D(mm) |
| Holding strength | 1000kgs |
| Preload | 35kg |
| Operating voltage | 12/24VDC |
| Voltage tolerance | +/-15% |
| Current draw | 600mA/12VDC, 300mA/24VDC |
| Operating temperature | -10° C ~ +49° C |
| Humidity | 0-85% non-condensing |
| Operating mode | fail secure/fail secur |
| Cycle Tested | 1 million cycles |
| Material | stainless steel housing stainless steel keeper |



Dimensions - Lock



Version Changeable



Optional Accessories

| Item | Article Number | Description |
|---------|----------------|---|
| KES900Z | 9400000012901 | KES900Z Electric Strike ZINC MTD 12/24VDC |

Electric Strikes

Accessories



KESLP125
Lip Extension 25mm



KESLP150
Lip Extension 50mm



KESLP2225
Lip Extension 25mm



KESLP2250
Lip Extension 50mm

Electric Strikes

| Item | Article Number | Description |
|-----------|----------------|---------------------------------------|
| KESLP125 | 9400000005656 | LIP EXT 25MM FOR KES100, KES900S/900Z |
| KESLP150 | 9400000005657 | LIP EXT 50MM FOR KES100, KES900S/900Z |
| KESLP2225 | 9400000002465 | LIP EXT 25MM FOR KES2200/200Z |
| KESLP2250 | 9400000002466 | LIP EXT 50MM FOR KES2200/200Z |

KML-2

Morticed Type Electromagnetic Lock

The KML-2 is a morticed type electromagnetic lock which can be used on single and double sliding doors.

It has a holding force 270KGS and dual voltage with both lock and door sensor. It also features a built-in voltage spike suppressor and is C-Tick, UL Listed and CE approved.

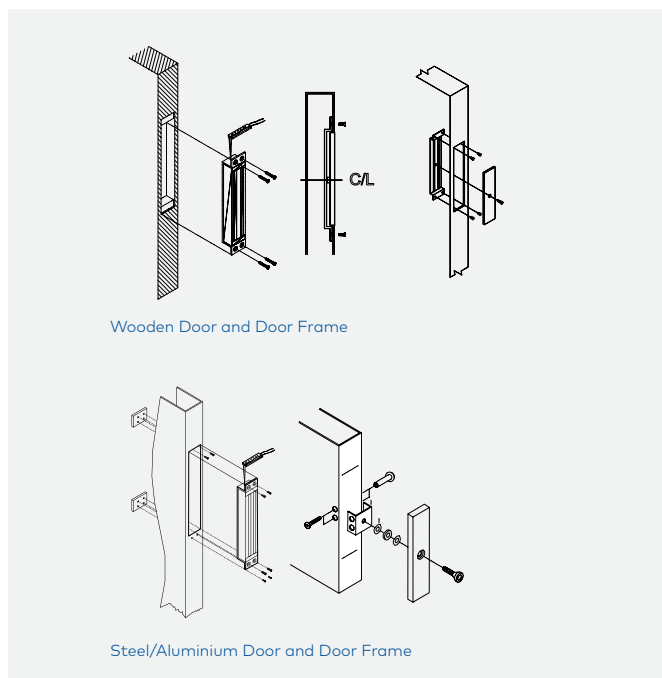
Features

- Mortised Type - single door, sliding door and double action door
- Built-in voltage spike suppressor
- Door status sensor (reed switch)
- Anti Residual magnetism device (ARM)



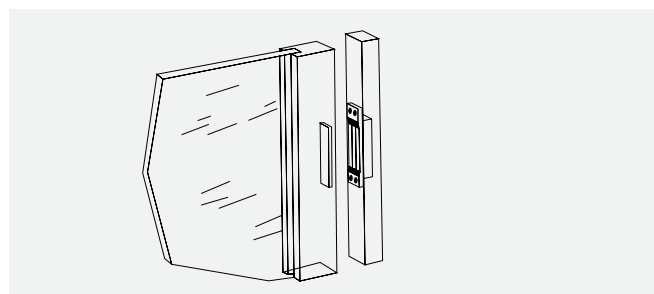
Specifications

| | |
|-----------------------|--|
| Lock | 228L x 38W x 27D(mm) |
| Armature plate | 185L x 38W x 12.5T(mm) |
| Holding Force | 2,700N (270Kg) |
| Voltage | 12/24VDC |
| Current draw | 500mA/12VDC, 250mA/24VDC |
| Material | Brushed anodized aluminium housing Zinc plated steel armature |



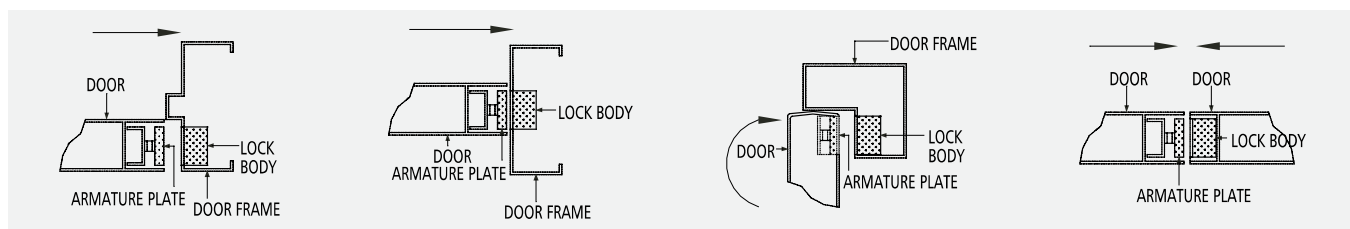
Wooden Door and Door Frame

Steel/Aluminium Door and Door Frame



Installation Positions - Double Doors

Typical Installation



Applications

| Item | Article Number | Description |
|-------|----------------|---------------------------------------|
| KML-2 | 940000002515 | KML-2 EML 270KG MORTISE SGL/SLIDE/DBL |

Electromagnetic

KML-2H

Electromagnetic Lock

The KML-2H is a surface mounted electromagnetic lock which can be used on single doors.

It has a holding force 270KGS and dual voltage with both lock and door sensor. It also features a built-in voltage spike suppressor and an LED Monitor. It is C-Tick, UL Listed and CE approved, with a 2 hour fire rating.

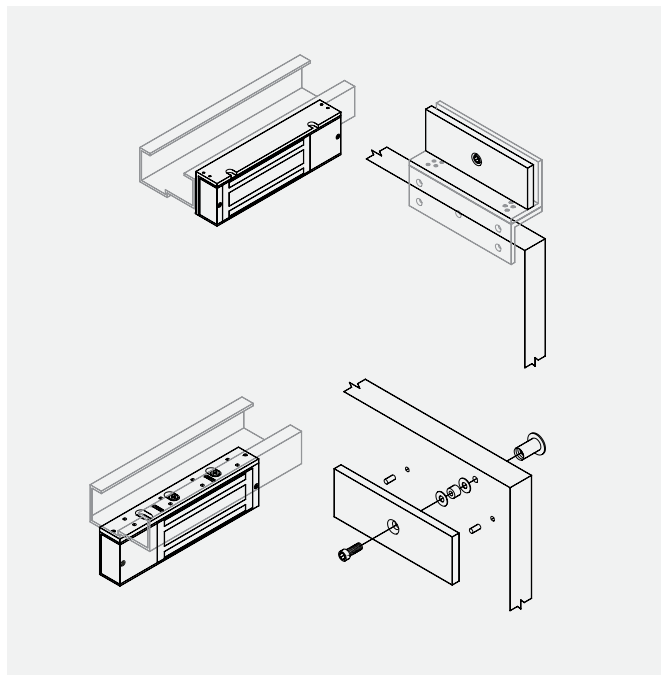
Features

- Surface mounted - Single doors
- Built-in voltage spike suppressor
- LED monitor
- Lock sensor (hall effect IC)
- Door sensor
- Anti residual magnetism device (ARM)

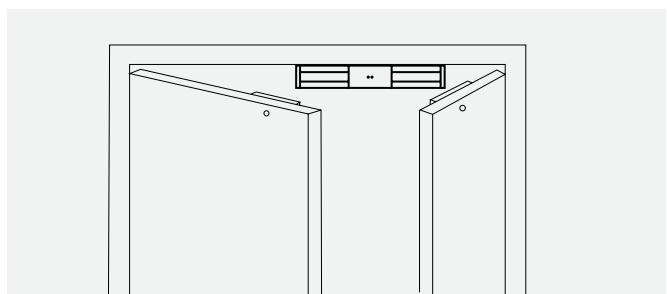


Specifications

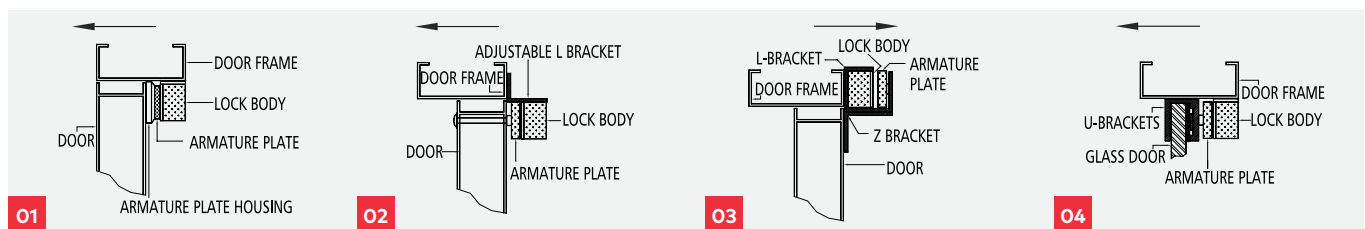
| | |
|-----------------------|--|
| Lock | 250L x 42W x 26D(mm) |
| Armature plate | 185L x 38W x 12.5T(mm) |
| Holding Force | 2,700N (270Kg) |
| Voltage | 12/24VDC |
| Current draw | 500mA/12VDC, 250mA/24VDC |
| Material | Brushed anodized aluminium housing Zinc plated steel armature |



Typical Installation



Installation Positions - Double Doors



01
Use B0011
Armature Plate Housing

02
Use B1011
L Adjustable Bracket

03
Use B1012
L & Z Bracket

04
Use U185
U Bracket for Glass Door

| Item | Article Number | Description |
|--------|----------------|---|
| KML-2H | 9400000002516 | KML-2H EML 270KG SURF MOUNT/SINGLE DOOR |

KML-6

Electromagnetic Lock

The KML-6 is a surface mounted electromagnetic lock which can be used on single doors.

It has a holding force 540KGS and dual voltage with both lock and door sensor. It also features a built-in voltage spike suppressor and is CTick, UL Listed, CE approved and has a 2 hour fire rating.

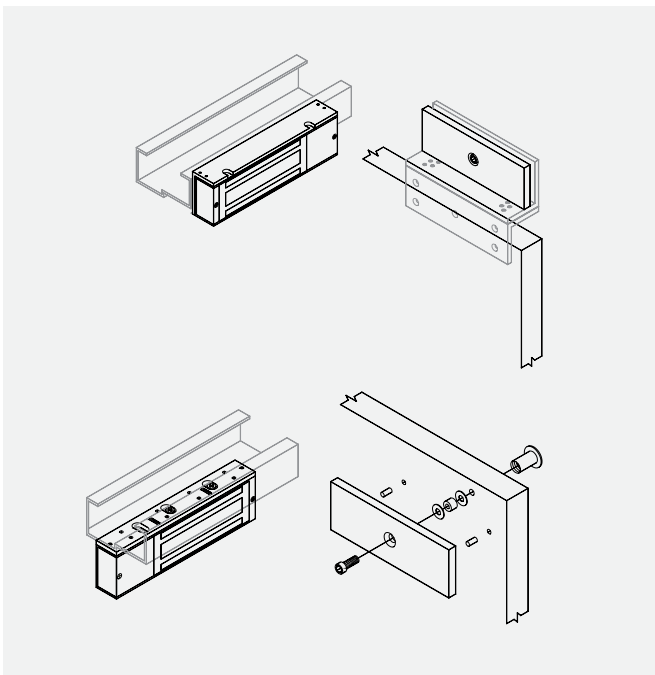
Features

- Surface mounted - Single doors
- LED monitor
- Built-in voltage spike suppressor
- Lock sensor (hall effect IC)
- Door status sensor (reed switch)
- Anti residual magnetism device (ARM)

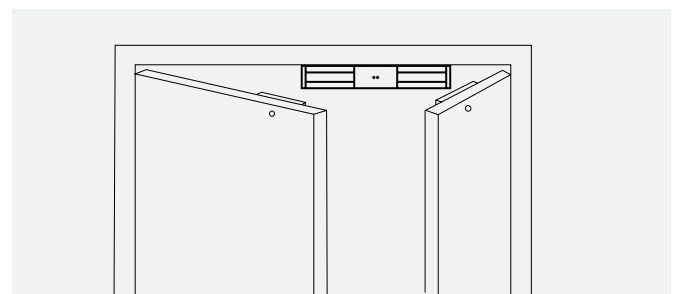


Specifications

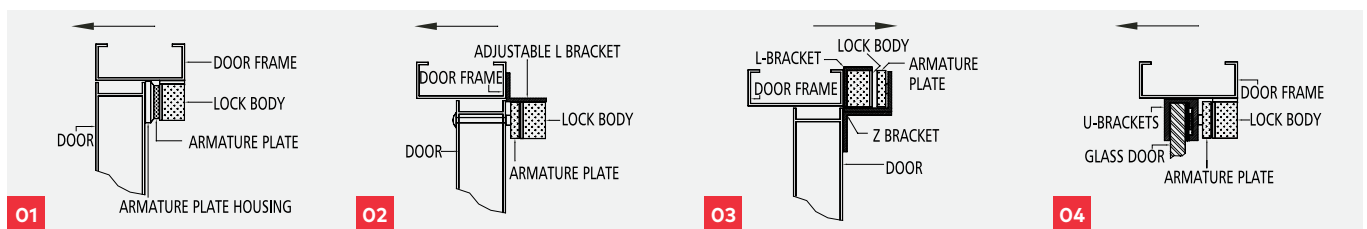
| | |
|-----------------------|--|
| Lock | *266L x 73W x 40D(mm) *including mounting plate |
| Armature plate | 185L x 61W x 16T(mm) |
| Holding Force | 5,400N (540Kg) |
| Voltage | 12/24VDC |
| Current draw | 500mA/12VDC, 250mA/24VDC |
| Material | Brushed anodized aluminium housing Zinc plated steel armature |



Typical Installation



Installation Positions - Double Doors



01 ARMATURE PLATE HOUSING

01
Use B0001
Armature Plate Housing

02 ADJUSTABLE L BRACKET

02
Use B1001
L Adjustable Bracket

03 L-BRACKET LOCK BODY ARMATURE PLATE Z BRACKET

03
Use B1002
L & Z Bracket

04 U-BRACKETS GLASS DOOR ARMATURE PLATE

04
Use U185
U Bracket for Glass Door

| Item | Article Number | Description |
|-------|----------------|--|
| KML-6 | 9400000002518 | KML-6 EML 540KG SURF MOUNT/SINGLE DOOR |

Electromagnetic

KML-10

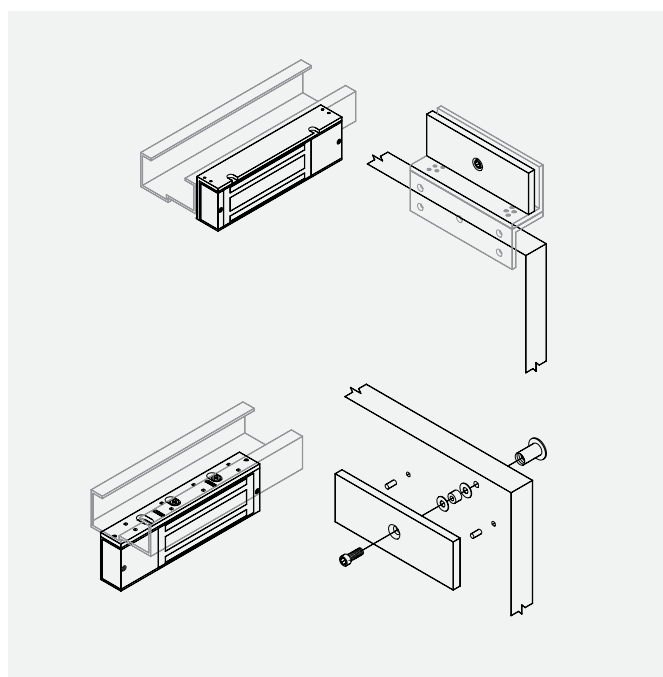
Electromagnetic Lock

The KML-10 is a surface mounted double electromagnetic lock which can be used for double doors.

It has a holding force 540KGS and dual voltage with both lock and door sensor. It also features a built-in voltage spike suppressor and is C-Tick, UL Listed, CE approved and has a 2 hour fire rating.

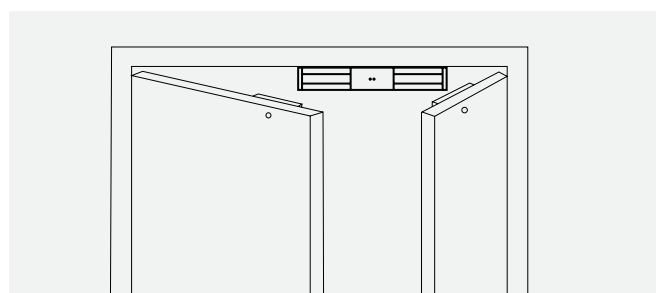
Features

- Surface mounted - Double doors
- LED monitor
- Built-in voltage spike suppressor
- Hall effect monitoring
- Lock sensor (hall effect IC)
- Door status sensor (reed switch)
- Anti residual magnetism device (ARM)



Specifications

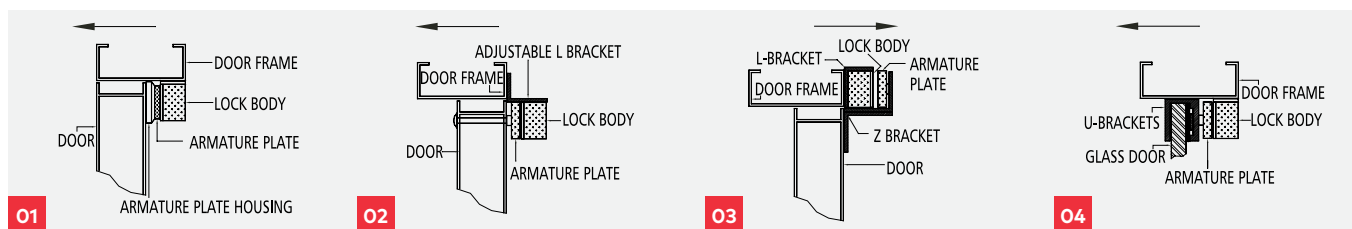
| | |
|-----------------------|--|
| Lock | *532L x 73W x 40D(mm) *including mounting plate |
| Armature plate | 185L x 61W x 16T(mm) |
| Holding Force | 5,400N (540Kg) |
| Voltage | 12/24VDC |
| Current draw | 500mA/12VDC, 250mA/24VDC |
| Material | Brushed anodized aluminium housing Zinc plated steel armature |



Typical Installation

Installation Positions - Double Doors

Note: For double door applications select 2 of each accessory.



01
Use B0001
Armature Plate Housing

02
Use B1001
L Adjustable Bracket

03
Use B1002
L & Z Bracket

04
Use U185
U Bracket for Glass Door

| Item | Article Number | Description |
|--------|----------------|---|
| KML-10 | 9400000002514 | KML-10 EML 540KG SURF MOUNT/DOUBLE DOOR |

KML-CCW30

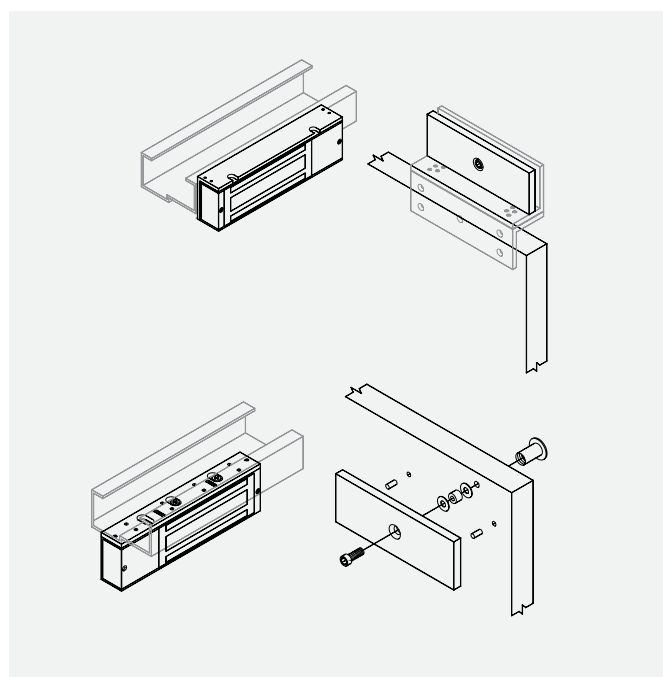
Electromagnetic Lock

The KML-CCW30 is a surface mounted electromagnetic lock which can be used on single doors.

It has a holding force 135KGS and dual voltage with lock sensor. It also features a built-in voltage spike suppressor and is C-Tick, UL Listed and CE approved, with a 2 hour fire rating.

Features

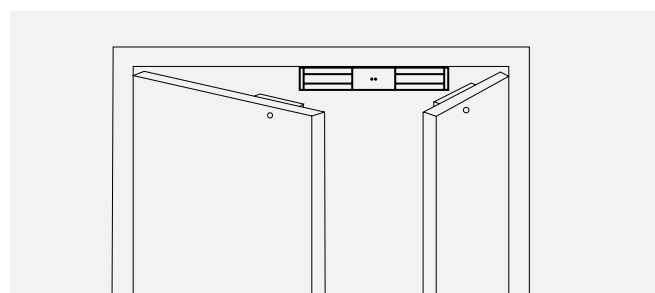
- Surface mounted - Single doors
- Built-in voltage spike suppressor
- LED monitor
- Lock sensor (hall effect IC)



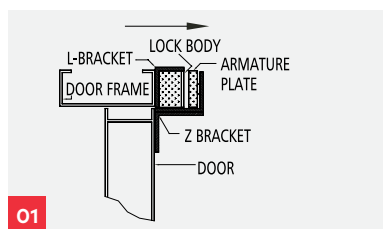
Typical Installation

Specifications

| | |
|-----------------------|--|
| Lock | *165L x 38.5W x 21D(mm) *including mounting plate |
| Armature plate | 130L x 32W x 8T(mm) |
| Holding Force | 1350N (135Kg) |
| Voltage | 12/24VDC |
| Current draw | 360mA/12VDC, 180mA/24VDC |
| Material | Brushed anodized aluminium housing Zinc plated steel armature |



Installation Positions - Double Doors



01
Use B1022
L & Z Bracket

| Item | Article Number | Description |
|-----------|----------------|---|
| KML-CCW30 | 9400000002519 | KML-CCW30 EML 135KG SURF MOUNT/SGL DOOR |

Electromagnetic

KML-CCW30F

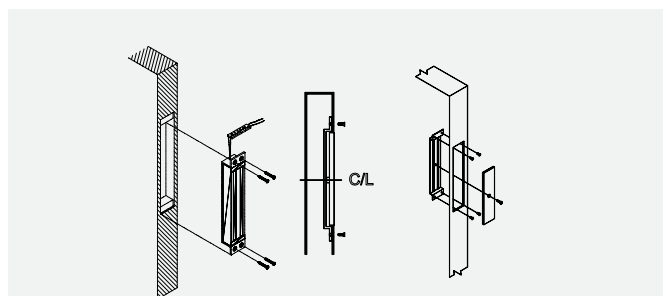
Morticed Type Electromagnetic Lock

The KML-CCW30F is a morticed type electromagnetic lock which can be used for single and double sliding action doors.

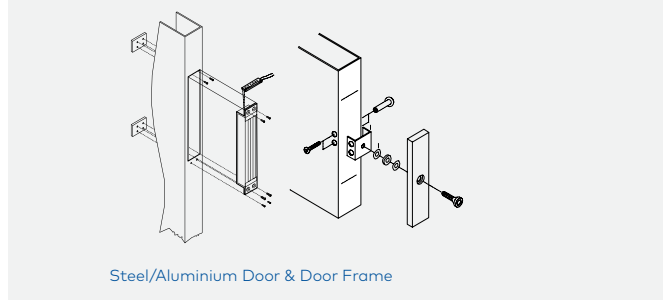
It has a holding force of 135KGS and dual voltage with lock sensor. It also features a built-in voltage spike suppressor and is UL Listed and CE approved.

Features

- Mortised type - Single door, sliding door and double action door
- Built-in voltage spike suppressor
- Lock sensor (hall effect IC)



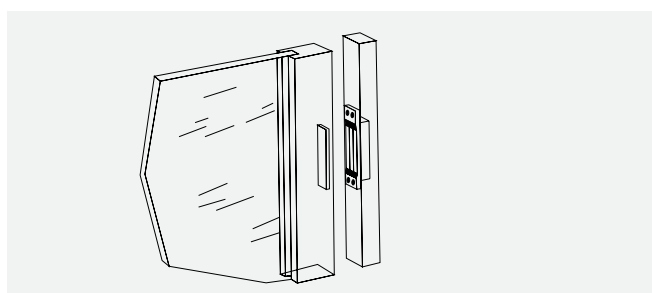
Wooden Door & Door Frame



Steel/Aluminium Door & Door Frame

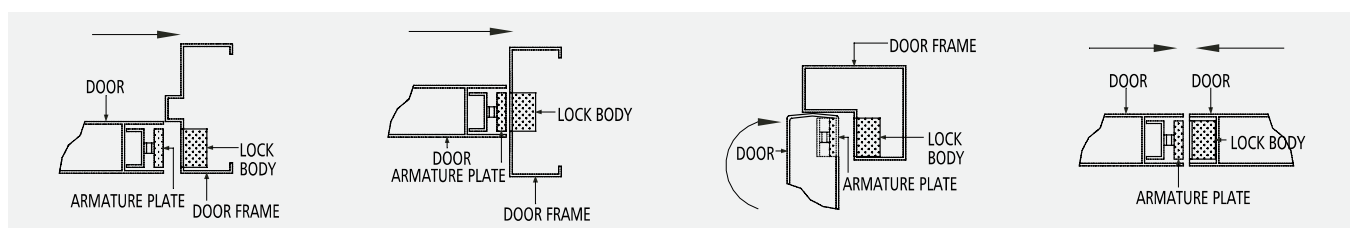
Specifications

| | |
|-----------------------|--|
| Lock | 202L x 34.5W x 21D(mm) |
| Armature plate | 130L x 32W x 8T(mm) |
| Holding Force | 1350N (135Kg) |
| Voltage | 12/24VDC |
| Current draw | 360mA/12VDC, 180mA/24VDC |
| Material | Brushed anodized aluminium housing Zinc plated steel armature |



Installation Positions - Double Doors

Typical Installation



Applications

| Item | Article Number | Description |
|------------|----------------|---|
| KML-CCW30F | 940000005664 | KML-CCW30F EML 135KG MORT SGL/SLIDE/DBL |

Electromagnetic Accessories



B0001
Armature plate housing for KML-6 & KML-10 (x2)
200L x 76W x 15D(mm)



B0011
Armature Plate housing for KML-2H
200L x 55W x 15D(mm)



B1001
L Adjustable bracket for KML-6 & KML10 (x2)
266L x 76W x 38D(mm)



B1002
L & Z Bracket for KML-6 & KML10 (x2)
L Bracket - 266L x 76W x 46D(mm)
Z Bracket - 185L x 63.5W x 63.5D(mm)



B1011
L Adjustable Bracket for KML-2H
250L x 48W x 30D(mm)



B1012
L & Z Bracket for KML-2H
L Bracket - 250L x 48W x 30D(mm)
Z Bracket 185L x 50W x 50D(mm)



B1022
L & Z Bracket for KML-CCW30
L Bracket - 166L x 42W x 30D(mm)
Z Bracket - 166L x 38W x 38D(mm)



U-185
U Bracket Glass Door for KML-6, KML-10 (x2) & KML-2H - Suits 10-12mm thick glass
185L x 62W x 33D(mm)

| Item | Article Number | Description |
|-------|----------------|---|
| B0001 | 9400000001495 | B0001 ARMATURE PLATE HOUSING FOR KML-6 |
| B0011 | 9400000001496 | B0011 ARMATURE PLATE HOUSING FOR KML-2H |
| B1001 | 9400000001549 | L ADJUSTABLE BRACKET FOR KML-6 |
| B1002 | 9400000001550 | L & Z BRACKET FOR KML-6 |
| B1011 | 9400000001555 | L ADJUSTABLE BRACKET FOR KML-2H |
| B1012 | 9400000001559 | L & Z BRACKET FOR KML-2H |
| B1022 | 9400000001562 | L & Z BRACKET FOR KML-CCW30 |
| U-185 | 9400000003219 | U BRACKET FOR GLASS DOOR 10-12MM THICK |

RG80

Weatherproof Lock

The RG80 is the foremost high-strength lock designed for securing gates, roller doors, shipping containers and any other commercial door or entry way.

Designed with weatherproofing as one of its critical features the RG80 offers an impressive IP67 weather rating an E-coated aluminium lock body and strike for excellent corrosion resistance and a built-in heater for continued functionality in extreme cold environments.

With full monitoring outputs including tamper proof detection along with user configurable control settings, the RG80 is the perfect indoor and outdoor locking solution.



Features

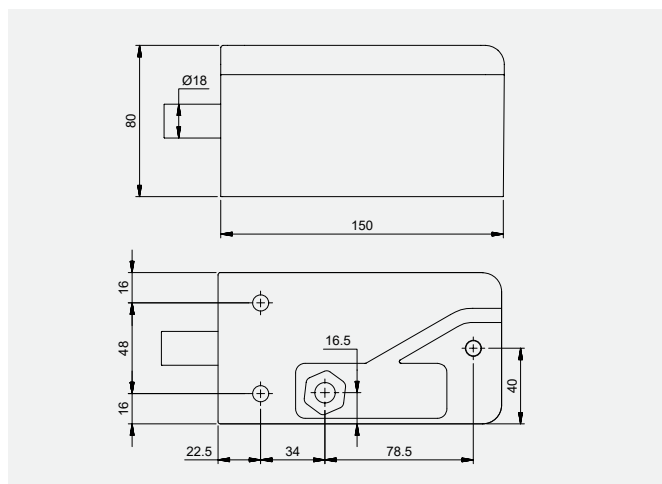
- Fail safe/Fail secure
- Variable voltage 12 to 24VDC
- Low current consumption (Heater OFF)
- IP67 weather rating
- 3 user selectable control methods
- Multiple relock attempts to lock or unlock
- Built in heater for extreme cold environments
- Bolt locked & unlocked monitoring
- Door position monitoring
- Anti-tamper detection monitoring

Typical applications

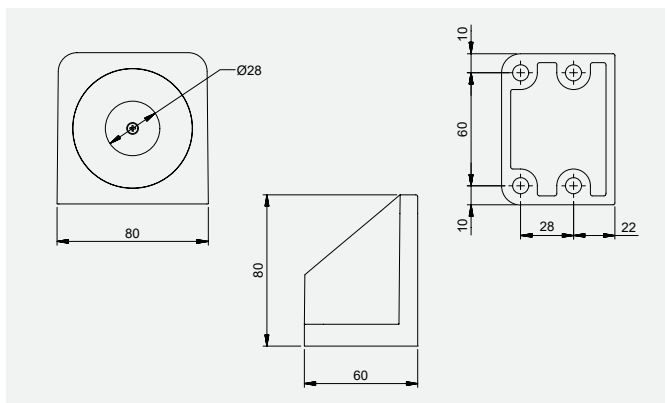
- Security gates
- Roller doors
- Cold storage rooms
- Shipping containers
- Commercial doors

Specifications

| | |
|------------------------------|--------------------------|
| Door Gap | 15mm Maximum |
| Static strength | 50'000 newtons (5000kgs) |
| Dynamic strength | 200 Joules |
| Weather rating | IP67 |
| Cycle tested | 300'000 cycles |
| Voltage | 12-24VDC |
| Voltage tolerance | +/-15% |
| Current draw | |
| Standby | 40mA/12VDC, 30mA/24VDC |
| Maximum: | 1.0A/12VDC, 0.5A/24VDC |
| Heater On (24VDC only): | 2.0A/24VDC |
| Monitors Switches | 24VDC, 025A |
| Operating temperature | -35°C ~ +70°C |
| Operating Mode | Fail Secure/Fail Secure |
| Material | |
| Lock/Strike Body | Aluminium 383 |
| Bolt Pin | Stainless steel 304 |
| Strike Ring | UV Stabilized ABS |



Dimensions - Lock



Dimensions - Strike

| Item | Article Number | Description |
|--------|----------------|--|
| RG80 | 9400000007060 | RG80 LOCK & STRIKE 12-24VDC IP67 RATED |
| RG303A | 9400000007059 | STRIKE ONLY SUIT RG80 |

ML100

Motorised Cabinet Lock

Keep your valuables safe with the ML100 motorised cabinet lock.

The ML100 is perfect for access control on small enclosures such as lockers, drawers, drug cabinets, filing cabinets and letter boxes. The spring-release pushes the door open when activated so you can see the cabinet is unlocked and open.

In the event of power being lost from an attempted break-in or power failure, the fail-secure operation maintains its locked status keeping your valuables safe. The ML100 offers a variable 12-28VAC/DC power input and due to its motorised operation consumes minimal energy. Monitoring outputs are included as standard via door and lock status contacts.

The versatile mounting positions provide flexibility along with ease of use and installation. It is constructed of high strength polymer plastic.

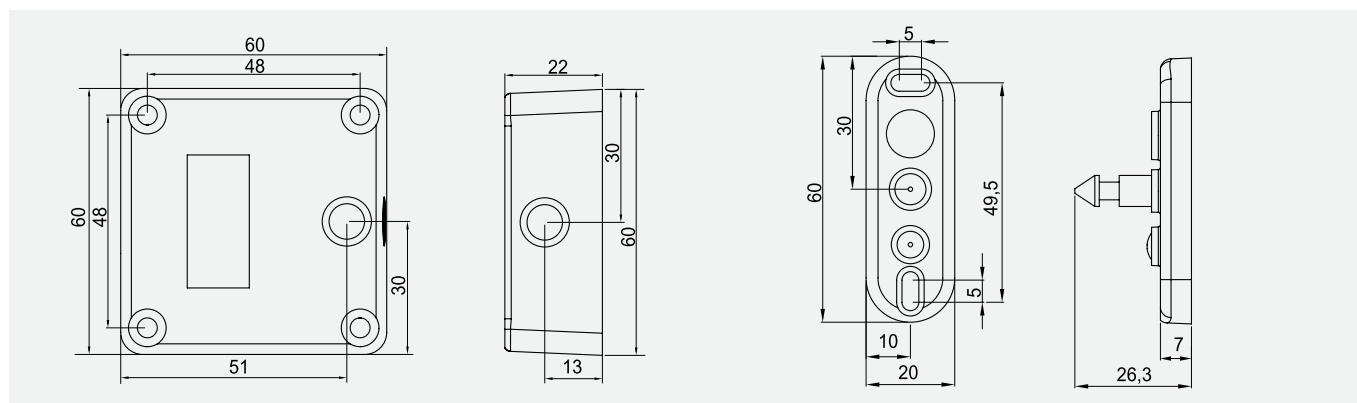
Features

- Fail-secure – power to open
- 12-28VAC/DC
- Motor operated
- Built in relock time delay
- Lock and door status monitoring
- Spring door open release
- Holding force 100Kg



Specifications

| | |
|------------------------------|-------------------------------------|
| Lock | 60L x 60W x 22D(mm) |
| Strike Plate: | 60L x 20W x 7D(mm) |
| Holding force | 100kg |
| Voltage | 12-28VAC/DC |
| Relock time delay | 2-5 Seconds |
| Voltage tolerance | +/-15% |
| Current draw | |
| Holding | 69mA/12VDC, 69mA/24VDC |
| Operating | 165mA/12VDC, 165mA/24VDC |
| Operating Temperature | -10°C ~ +45°C |
| Humidity | 0 ~ 95% |
| Operating Mode | Fail Secure |
| Material | Polyamide plastic |
| Bolt Pin | Stainless Steel, ø18mm, 35mm stroke |



Typical Installation

| Item | Article Number | Description |
|-------|----------------|--|
| ML100 | 940000011582 | ML100 CABINET LOCK 12-28VAC/DC MONITORED |

KML-5000G

Electromagnetic Gate Lock

The KML-5000G is a surface mounted electromagnetic gate lock which can be used on single, double doors and gates.

It has a holding force of 540KGS and dual voltage with lock sensor. It also features a built-in voltage spike suppressor and is C-Tick, UL Listed and CE approved.

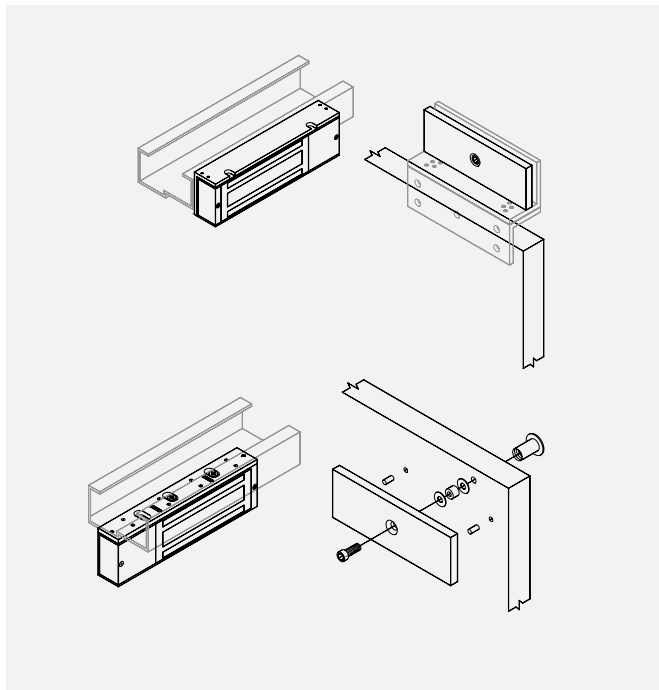
Features

- Surface mounted - single door, double swing doors, sliding doors and gates
- Built-in voltage spike suppressor
- Lock sensor (hall effect IC)
- Multiple fixing (standard) - face fix and underside
- Weather proof rating - IP65



Specifications

| | |
|-----------------------|---|
| Lock | 203L x 63W x 40D(mm) |
| Armature plate | 185L x 61W x 16T(mm) |
| Holding Force | 5,400N (540Kg) |
| Voltage | 12/24VDC |
| Current draw | 500mA/12VDC, 250mA/24VDC |
| Material | Stainless Steel Housing Weather proof rated IP65 |



Typical Installation

| Item | Article Number | Description |
|-----------|----------------|------------------------------------|
| KML-5000G | 9400000002517 | KML-5000G EML 540KG GATE LOCK IP65 |

DL200 and DL350

Cable Transfers - Surface Mounted

The DL200 and DL350 surface mount door loop (cable transfer) are designed to allow a flexible connection to be made from the door frame to door whilst protecting the wiring from pinching or cutting.

Suitable for use in access control systems and alarms.

DL200 - Plastic Mount

Features

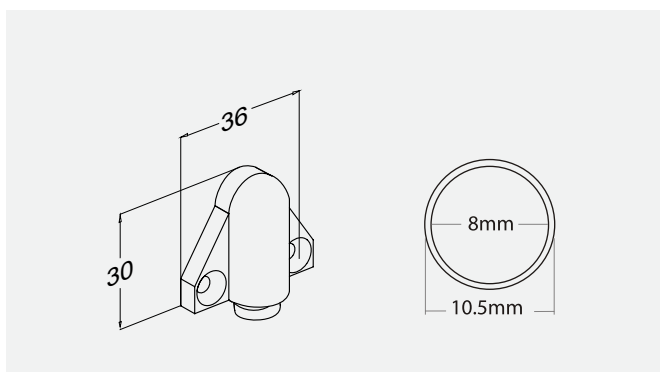
- Length: 40cm
- Triangle plastic sleeve
- Surface mount



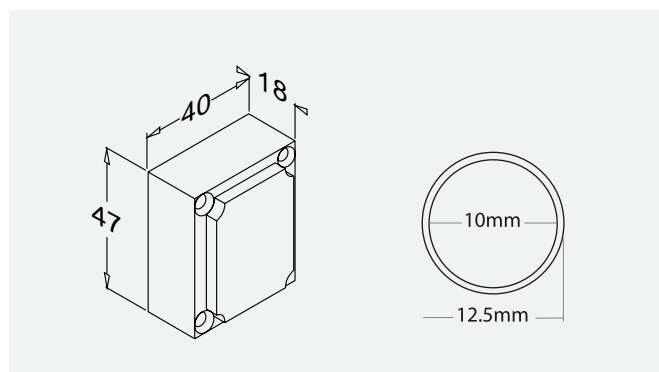
DL350 - Aluminium Mount

Features

- Length: 40cm
- Square aluminium sleeve
- Surface mount



Dimensions



Dimensions

| Item | Article Number | Description |
|-------|----------------|--------------------------------------|
| DL200 | 9400000002066 | CABLE TRANSFER 400MM PLASTIC MOUNT |
| DL350 | 9400000002067 | CABLE TRANSFER 400MM ALUMINIUM MOUNT |

DL400

Cable Transfers - Mortice Mounted

The DL400 mortice mounted door loop (cable transfer) is a convenient solution to transfer wiring from a hinged door frame to a door.

The DL400 provides an attractive solution to completely conceal the wiring when the door is closed, whilst protecting from pinching or cutting.

Suitable for use in access control systems and alarms.

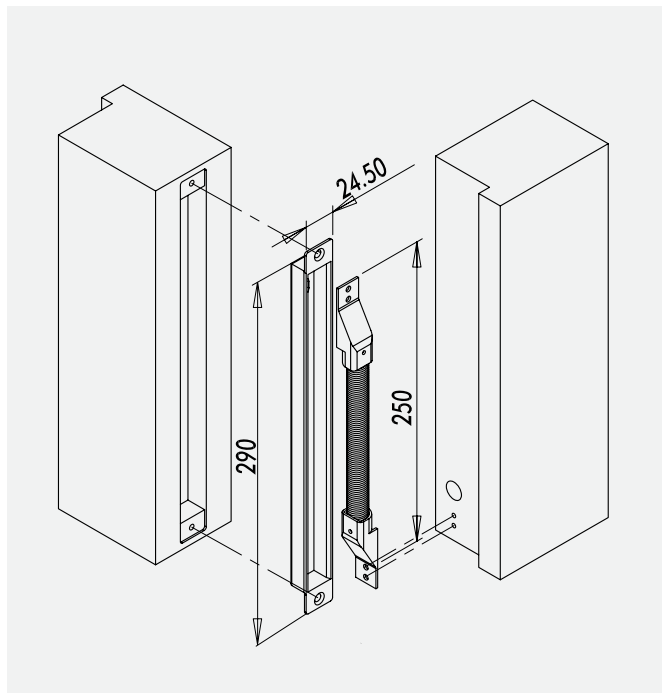
Features

- Designed to ensure the unbroken transfer of cable between door and frame
- Concealed when the door is shut
- Fits timber or aluminium doors

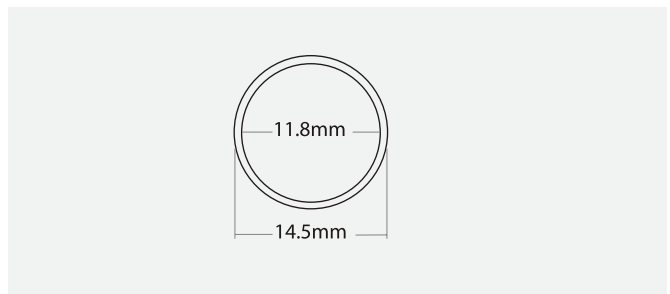


Specifications

| | |
|-----------------------|--------------------------|
| Dimensions | 290L x 24.563W (mm) |
| Cable Diameter | 11.8mm maximum |
| Door Opening | 90 to 120 degree |
| Current draw | 500mA/12VDC, 250mA/24VDC |
| Material | Chrome Plate Finish |



Dimensions



| Item | Article Number | Description |
|-------|----------------|-------------------------------------|
| DL400 | 940000002068 | CABLE TRANSFER 290MM, MORTICE MOUNT |

90 09M

Touchless Switch

The unique low-profile 90 09M touchless switch is a contactless actuator utilising capacitive proximity technology. Upon activation, the aesthetically pleasing backlight design will change colour from white to green with an optional audible beep. The touchless switch is also supported by a mechanical override function in the event of power or electronic failure.

The 90 09M also offers a selectable open time between 1-15 seconds and a typical detection zone setting of 25-50mm for different installation environments to reduce unwanted activations.

Features

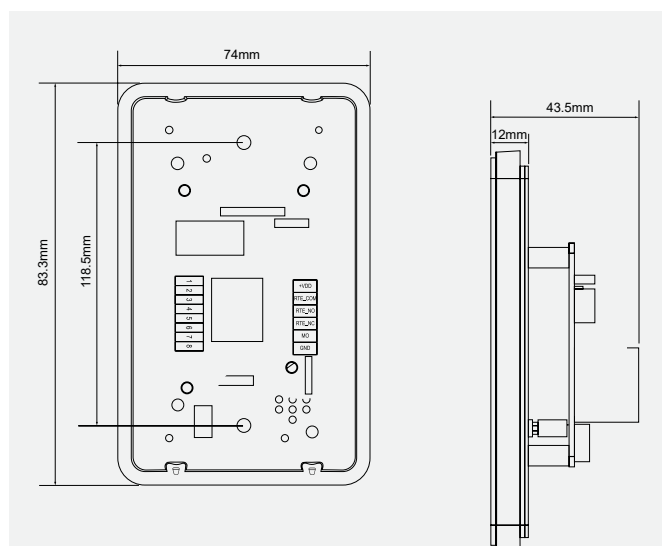
- Hands free – reduces the spread of germs and bacteria
- Selectable unlock time (1-15 seconds)
- Variable voltage 12-24VDC
- Visible colour change and audible beep (optional) when activated
- Optional EXIT or HAND wave gesture

Additional functions (optional)

- Optional remote control (433MHz) feature and up to 5 remotes can be added

Convenient installation

- Fits standard size switch plate & electrical gang box
- Removeable plug in terminal block for ease of wiring



Dimensions - Lock

| Item | Article Number | Description |
|----------|----------------|---|
| 9009MAHB | 9400000011758 | 90 09M TOUCHLESS SWITCH ANSI HAND BLACK |
| 9009MAXB | 9400000011762 | 90 09M TOUCHLESS SWITCH ANSI EXIT BLACK |
| 9009MAHW | 9400000011759 | 90 09M TOUCHLESS SWITCH ANSI HAND WHITE |
| 9009MAXW | 9400000011763 | 90 09M TOUCHLESS SWITCH ANSI EXIT WHITE |



Specifications

| | |
|-----------------------|---------------------------------------|
| Lock | 118.2L x 74.2W x 8.5H(mm) |
| Detection Mode | Proximity |
| Technology | Capacitive proximity sensor |
| Detection Zone | Adj. 25-50mm |
| Output | Dry contact (SPDT) rated @ 30VDC/1Amp |
| Switch mode | Momentary |
| Voltage | 12-24VDC |
| Voltage tolerance | +/-10% |
| Current Draw | |
| Standby | 50mA |
| Activated | 115mA |
| Weather rating | Indoor |
| Operating temperature | -20oC ~ +60oC |
| Operating humidity | 10%-90% |
| Colour | Black White |
| Material | PC + ABS |



**Door
Hardware**



**Entrance
Systems**



**Electronic
Access & Data**



**Interior Glass
Systems**



**Lodging
Systems**



**Mechanical
Key Systems**



Safe Locks



Services

dormakaba Australia

Head Office
12-13 Dansu Court
Hallam VIC 3803
T 1800 675 411
info.au@dormakaba.com
www.dormakaba.com.au

dormakaba New Zealand

Head Office
Building P, 61-69 Patiki Road
Avondale, Auckland 1026
T: 0800 436 762
info.nz@dormakaba.com
www.dormakaba.co.nz