

HES10

Card Reader (EM/HID)

User Manual



Table of Contents

1. Introduction
2. Specifications
3. Installation
4. Functions Table Sheet

1. Introduction

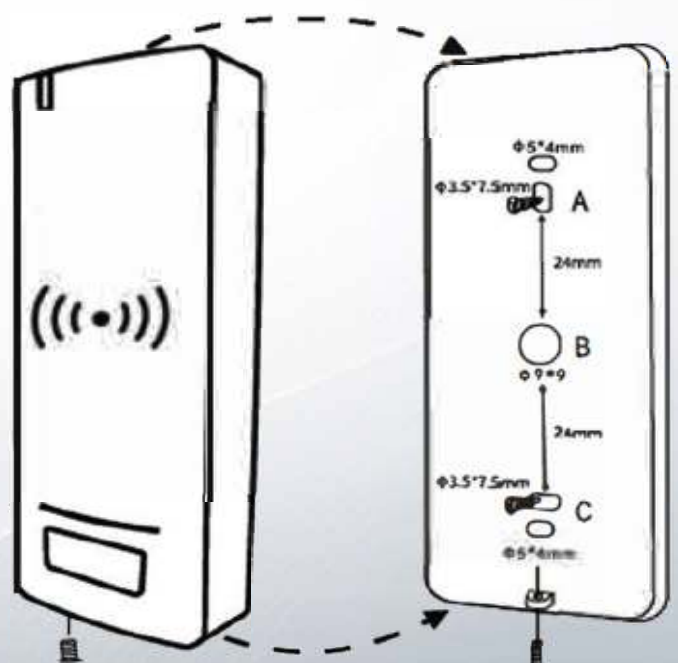
It is an ABS Wiegand output proximity reader compatible with any Wiegand input controller. It supports: I 25KHz EM.HID Compactable cards. The reader is fully coated and can function at extreme temperatures (-40°C - -60°C), either indoor or outdoor mounted use.

2. Specifications

Power requirements	9-18VDC
Card Type	EM/ HID Card
Interface Wiegand	26 bit
Reader range	3-7cm
Frequency	25KHz
Operation temperature	-40°C - 60°C (-40°F - 140°F)
Operating humidity	70%-95% RH
Audio/Visual Indication	Green 6 Red and Buzzer signal output
Response Time	Less than 0.2 seconds
cable length	250mm
Weight	60gram
Dimension	L120 xW50 x H20 (mm)
Standby Current	<25mA

3. Installation

- Drill 2 holes (A, C) on the wall for the screws and one hole for the cable
- Knock the rubber bungs to the holes (A, C)
- Fix the back cover on the wall with 2 screws
- Thread the cable Chough the cable hole (B)
- Attach the unit to the back cover

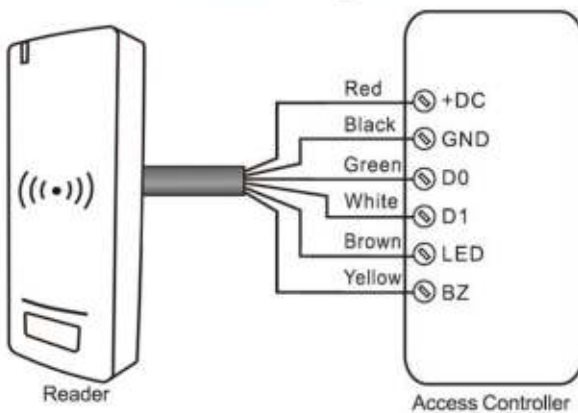


Wiring

Color	Function	Notes
Red	Power	+DC(9-24V DC)
Black	GND	Ground
Green	D0	Data 0
White	D1	Data 1
Brown	LED	Green LED Light Control
Yellow	Buzzer	Buzzer control

(Remarks: Brown and Yellow wires are optional connections)

Connection Diagram



4. Functions Table Sheet

Read Card	The LED light will turn into Green, and the buzzer sounds a beep, at the meantime, the reader outputs the Wiegand signal
External LED Control	When the input voltage for LED is low, the LED will turn into Green
External Buzzer Control	When the input voltage for Buzzer is low, the Buzzer will sound
Wiegand Data Output	Wiegand 26 bits

Packing

Name	Quantity
Reader	1
Manual	1
Screw Driver	1
Wall Fixing Plungs	2
Self Tapping Screws	2

Contact CSM



1300 663 904



Consolidated
**SECURITY
MERCHANTS**
<https://csmerchants.com.au/>

VIC: Melbourne
Unit 144, Axxess Corporate Park,
45 Gilby Road, Mt Waverley
Melbourne, VIC 3149
PH: 03 9558 8455

NSW: Sydney
Unit 4, 60 Roberts Road,
Greenacre,
NSW 2190
Tel: 02 9890 5300

QLD: Brisbane
Unit 1, 107 Da Vinci Business Park
2-6 Leonardo Drive, Brisbane Airport
Eagle Farm, QLD 4007
Tel: 07 3552 5966

WA: Perth
Unit 4, 103 Erindale Road,
Balcatta, WA, 6021
Tel: 08 9344 2555

SA: Adelaide
Unit 1, 60 Grove Avenue,
Marleston, SA 5033
Tel: 08 8297 5555

TAS: Local Electronics
194A Main Road Moonah,
Tas 7009
Tel: 03 62727288