

30 SERIES

HC30WB2R1

HC30WB5R1

2MP/5MP IP WDR IR Bullet Camera



OPERATIONAL

Video Standard	NTSC/PAL
Scanning System	Progressive
Image Sensor	HC30WB2R1: 1/2.9" Progressive CMOS HC30WB5R1: 1/2.7" Progressive CMOS
Number Of Pixels (H × V)	HC30WB2R1: 1920(H) × 1080(V) HC30WB5R1: 2560(H) × 1920(V)
Minimum Illumination	HC30WB2R1: 0.065 lux color @ F2.0, 0 lux B/W with IR LEDs on @ F2.0 HC30WB5R1: 0.03 lux color @ F2.0, 0 lux B/W with IR LEDs on @ F2.0
S/N Ratio	> 55 dB
Electronic Shutter Speed	1/5 ~ 1/32,000
IR Distance	Distance up to 50m(165ft)
IR Light Control	Smart IR (Auto/Manual)/OFF
IR Light Number	2
Day/Night	Auto/Day/Night/Schedule
Backlight Compensation	WDR, HLC
White Balance	Auto/Fixed Current/Manual
Gain Control	0-100%
Wide Dynamic Range	120dB
Noise Reduction	3D DNR
Privacy Masking	Off / On (5 Areas)
Motion Detection	Motion/Intrusion/People detection
Tampering Detection	Tampering Detection/Image too dark detection/Image too bright detection/Image too blurry detection
Region Of Interest	Support
Lens	4.0mm, Fixed, F2.0
Angle Of View	HC30WB2R1: H:81°, V:44° HC30WB5R1: H:78°, V:59° @5M HC30WB5R1: H:82°, V:46° @4M

VIDEO

Video Compression	H.265/H.264/Smart Codec/MJPEG
Resolution	HC30WB2R1: 1920×1080/1600×904/1360×768/ 1280×720/640×360; HC30WB5R1 (5MP): 2560×1920/2048×1536/ 1600×1200/1280×960/800× 600/640×480; HC30WB5R1 (4MP): 2688×1520/1920×1080/ 1600×904/1280×720/640×360
Frame Rate	HC30WB2R1: Main Stream: 1080P (1 ~ 25/30fps); Sub Stream: 720P (1 ~ 25/30fps); Third Stream: 640x360(1 ~ 25/30fps); HC30WB5R1: Main Stream: 5M/4M (1 ~ 25/30fps); *Up to 30fps @5M under H.265 only Sub Stream: 800x600 (1 ~ 25/30fps); Third Stream: VGA (1 ~ 25/30fps)

Bit Rate Control	Constrained bit rate/Fixed quality
Bit Rate	20K ~ 40Mbps

NETWORK

Ethernet	10 Base-T/100 Base-TX Ethernet (RJ-45)
Supported Web Browsers	Chrome 71+, Internet Explorer 11.0+
Supported OS	Microsoft Windows 7/10
Protocols*	IPv4, IPv6, TCP/IP, HTTP, HTTPS, UPnP, RTSP/RTP/RTCP, IGMP, SMTP, DHCP, NTP, DNS, DDNS, CoS, QoS, SNMP, 802.1X, UDP, ICMP, ARP, TLS
Interoperability	ONVIF Profile G/S
Maximum Users Access	10 Users
Security	User account and password protection, HTTPS, IP Filter, Digest authentication, TLS1.2 only, Stream encryption, AES-128/256, SSH/ Telnet closed, PCIDSS compliance
Event	Event notification using HTTP, SMTP, NAS server and MicroSD card File upload via HTTP, SMTP, NAS server and MicroSD card
Micro SD	Micro SD/SDHC/SDXC card slot (256GB)

ELECTRICAL

Power Supply	DC12V, PoE (IEEE 802.3af) (Class 2)
Power Consumption	MAX 6.49W

MECHANICAL

Dimensions	ø91.1mm x 177mm (ø3.59" x 6.97")
Product Weight	0.53kg
Package Weight	0.74kg
Material	Die-casting aluminum housing with coating
Construction Color	RAL 120-1 (Lyric White)

ENVIRONMENTAL

Operating Temperature	Starting: -10°C ~ 60°C (14°F ~ 140°F) Working: -30°C ~ 60°C (-22°F ~ 140°F)
Relative Humidity	Less than 90%, non-condensing
Ingress Protection	IP66

REGULATORY


Emissions	FCC PART 15B, EN 55032, EN61000-6-3
Immunity	EN 50130-4
Safety	UL 62368-1, EN 62368-1
ROHS	EN 50581
Country of Origin	Taiwan

*Some development may be required in specific user cases to support some of these protocols in the field as they mature over time.

Honeywell

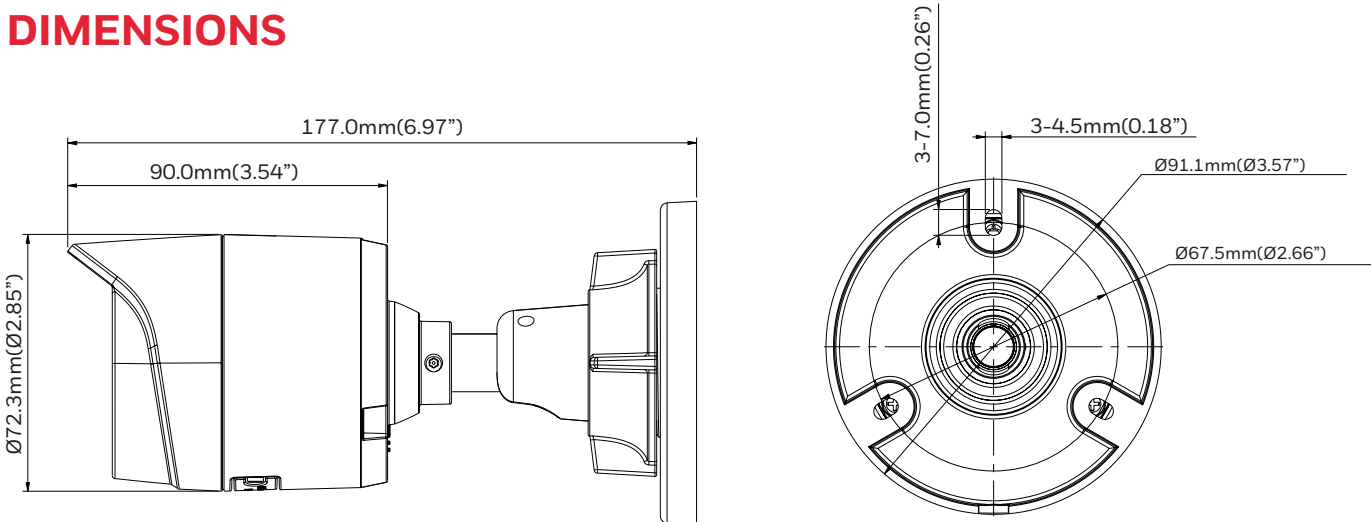
30 SERIES 2MP/5MP IP WDR IR BULLET CAMERA

SYSTEM COMPATIBILITY	
MAXPRO NVR PE	Up to 128 IP channels RAID5/6 Enterprise NVR
MAXPRO NVR SE	Up to 64 IP channels System NVR
MAXPRO NVR XE	Up to 16 IP channels system NVR
MAXPRO NVR SOFTWARE	Up to 128 IP channels Recording Software
ADPRO NVR FASTTRACE 2E	Up to 32 IP channels with up to 32 VA channels NVRs, or Up to 20 Analogue channels Hybrids
ADPRO NVR IFT-E	Up to 32 IP channels with up to 32 VA channels NVRs
ADPRO NVR IFT	Up to 32 IP channels or 16 IP channels with up to 16 VA channels NVRs
ADPRO NVR EFT	Up to 16 IP channels with up to 8 VA channels NVRs, or Up to 16 Analogue channels Hybrids
ADPRO NVR IFT GATEWAY	4 IP channels + 4 VA channels
HEN*4	8/16/32/64-channel Performance Series NVRs (H.264 and H.265)
HEN*3	4/8/16-channel Performance Series NVRs (H.264 and H.265)

MOUNTS AND ACCESSORIES		
HBS2-BB		Junction Box
HQA-PM2		Pole Mount Adapter with HBS2-BB

ORDERING	
HC30WB2R1	2MP Network Bullet Camera, TDN, WDR, 1/2.9" CMOS, 4.0mm, 2 IR LEDs, H.265, PoE, IP66, NDAA Compliant
HC30WB5R1	5MP Network Bullet Camera, TDN, WDR, 1/2.7" CMOS, 4.0mm, 2 IR LEDs, H.265, PoE, IP66, NDAA Compliant

DIMENSIONS



Available at



Phone: 1300 663 904
 www.csmerchants.com.au
 ABN : 33 618 009 680

VIC: Melbourne

Unit 14, Access Corporate Park,
 45 Gilby Road, MIF Waverley
 Melbourne, VIC 3149
 PH: 03 9558 8455
 FAX: 03 9558 8168
 Email:
 sales.vic@csmerchants.com.au

NSW: Sydney

Unit 1, 52-60 Roberts Road,
 Greendore, NSW 2190
 Tel: 02 8880 5300
 Fax: 02 9890 5800
 Email:
 sales.nsw@csmerchants.com.au

QLD: Brisbane

Unit 1, 107 Da Vinci Business Park
 2-6 Leonardo Drive, Brisbane Airport
 Eagle Farm, QLD 4007
 Tel: 07 3552 5966
 Fax: 07 3552 5977
 Email:
 sales.qld@csmerchants.com.au

SA: Adelaide

Unit 1, 60 Grove Avenue,
 Marleston, SA 5033
 Tel: 08 8297 5555
 Fax: 08 6297 5500
 Email:
 sales.sa@csmerchants.com.au

WA: Perth

Unit 4, 103 Erindale Road,
 Darcot, WA, 6021
 Tel: 08 9344 2555
 Fax: 08 9344 2555
 Email:
 sales.wa@csmerchants.com.au

Tasmania

Local Electronics
 194A Main Road,
 Moonah Tas 7009
 Tel: 03 62 72 72 88
 Email:
 sales@lecelectronics.com.au

