

60 SERIES

HC60W35R2

HC60W35R4

5MP Network TDN WDR IR Indoor Dome Camera



OPERATIONAL	HC60W35R2	HC60W35R4
Video Standard	NTSC / PAL	
Scanning System	Progressive	
Image Sensor (Size : H × V)	1/2.8" CMOS (5.18 x 3.89 mm)	
Number Of Pixels (H × V)	5 MP (2560 x 1920)	
Min. illumination (Color/B&W)	0.04 Lux / 0Lux (@F1.4, IR on)	0.04 Lux / 0Lux (@F1.6, IR on)
S/N Ratio	60 dB	
Electronic Shutter Speed	1/32000 ~ 1/30	
IR Distance	Up to 30 m (98 ft)	
IR Light Control	Smart IR (Auto / Manual) / OFF, External IR trigger by output	
IR Light Number	4	
Removable IR-Cut Filter	Yes	
Day/Night	Auto / Day / Night / Synchronize with digital input / Schedule	
Backlight Compensation	WDR, HLC	
White Balance	Auto / Fixed Current / Manual	
Gain Control	0-100 %	
Wide Dynamic Range	>120 dB	
Noise Reduction	3D DNR	
Lens	2.7 ~ 13.5 mm, MFZ, P-IRIS, F 1.4 ~ F 2.8	7 ~ 22 mm, MFZ, P-IRIS, F 1.6 ~ F2.9
Angle Of View	H: 100° ~ 30°, V: 72° ~ 23°	H: 39° ~ 16°, V: 29° ~ 12°
G-Sensor	Support Camera Direction OSD Display (Default - Off)	
Privacy Masking	Off / On (5 Areas)	
Defog	Support	
Encryption Chipset	Built-in FIPS encryption Chipset	
Local Storage	Micro SD / SDHC / SDXC card slot (up to 256 GB), SD Card encryption	
Micro USB	Support Wifi Dongle for configuration	
VIDEO		
Video Compression	H.265 HEVC / H.264 / MJPEG, Smart Codec	
Resolution (16/9)	2560 x 1440 / 1920 x 1080 / 1600 x 904 / 1360 x 768 / 1280 x 720 / 640 x 360	
Resolution (4/3)	2560 x 1920 / 1600 x 1200 / 1280 x 960 / 640 x 480	
Number of Video Streams	3	
Frame Rate Main Stream & Frame Rate Second Stream	2560 x 1440 / 1920 x 1080 / 1600 x 904 / 1360 x 768 / 1280 x 720 / 640 x 360 (1-25/30 fps), 1920 x 1080 / 1600 x 904 / 1360 x 768 / 1280 x 720 / 640 x 360 (1-50/60 fps), 2560 x 1440 (1-50 fps)	
Frame Rate Third Stream	1280 x 960 / 640 x 480 (1-25 / 30 fps) 1280 x 720 / 640 x 360 (1-50 / 60 fps)	
Bit Rate (Control)	20 K ~ 80 Mbps	
AUDIO		
Audio Compression	G.711A / G.711MU / G.726	
Audio Stream	Full duplex, Simplex	
Audio Interface	Line In / Out, Built-in Microphone	

NETWORK	
Ethernet	10 Base-T / 100 Base-TX Ethernet (RJ-45)
Supported Web Browsers	Chrome 79.0 Internet Explorer 11
Supported OS	Microsoft Windows 10
Protocols*	IPv4, IPv6, TCP / IP, HTTP, HTTPS, UPnP, RTSP / RTP / RTCP, IGMP / Multicast, CIFS / SMB, SMTD, DHCP, NTP, DNS, DDNS, CoS, QoS, SNMP, 802.1X, UDP, ICMP, ARP, TLS
Interoperability	ONVIF Profile G / S
Maximum Users Access	10 Users
Security	User account and password protection, HTTPS, IP Filter, Digest authentication, TLS1.2 only, Stream encryption, AES128 / 256, SSH / Telnet closed, PCIDSS compliance, FIPS Chipset Built-In
Languages Supported	English, French, German, Italian, Japanese, Portuguese, Russian, Spanish, Traditional Chinese
EVENTS / ANALYTICS	
Built-in Video Analytics	Intrusion, Loiter, Line crossing, Unattended object, Missing object, Face detection
Event type	Video motion detection, Periodically, Alarm input, System boot, Recording notification, Camera tampering detection
Event linkage	Event notification using digital output, HTTP, Email and MicroSD card
Region Of Interest	5
ELECTRICAL	
Power Supply	12 VDC / 24 VAC (50 / 60 Hz), PoE (IEEE 802.3 af, Class 0)
Power Consumption	MAX 12.95 W
Alarm Inputs / Outputs	2 In / 1 Relay Out
MECHANICAL	
Dimensions (Ø x H)	Ø 126.0 mm x 122.0 mm (Ø 5.0" x 4.8")
Dome diameter	91.0 mm (3.6")
Product Weight	0.58 kg (1.28 lb)
Package Weight	1.14 kg (2.51 lb)
Body Material	Polycarbonate / Metal (die casting aluminum with liquid painting)
Construction Color	RAL 120-1 (Lyric White)
ENVIRONMENTAL	
Operating Temperature	Starting Temperature: 0 °C ~ 60 °C (32°F ~ 140 °F) Working Temperature: -10 °C ~ 60 °C (14 °F ~ 140 °F)
Relative Humidity	Less than 90 %, non-condensing
Ingress Protection	IP 52
Impact Resistance	IK 10 (bubble only)
REGULATORY	
Emissions	FCC PART 15, CE (EN 55032)
Immunity	CE (EN 50130-4)
Safety	UL LISTED TO UL / CSA 62368-1, CE (EN 62368-1)
RoHS	CE (EN 50581), EAC (TR EAEU 037 / 2016), UAE (Cabinet Decree No.10 of 2017)
Country of Origin	Taiwan

Honeywell

60 SERIES 5MP NETWORK TDN WDR IR INDOOR DOME CAMERA

SYSTEM COMPATIBILITY

Pro-Watch NVR	Up to 256 IP channels RAID5/6 Enterprise NVR
MAXPRO NVR PE	Up to 128 IP channels RAID5/6 Enterprise NVR
MAXPRO NVR SE	Up to 64 IP channels System NVR
MAXPRO NVR XE	Up to 16 IP channels System NVR
MAXPRO NVR SOFTWARE	Up to 128 IP channels Recording Software
ADPRO NVR FastTrace 2E	Up to 32 IP channels with up to 32 VA channels NVRs
ADPRO NVR iFT-E	Up to 32 IP channels with up to 32 VA channels NVRs
ADPRO NVR iFT	Up to 32 IP or 16 IP channels with up to 16 VA channels NVRs
ADPRO NVR iFT Gateway	4 IP channels + 4 VA channels
HEN*4	8/16/32/64-channel Performance Series NVRs (H.264/H.265)
Honeywell DVM	Supported with Honeywell DVM R700 , DVM R620

OPTIONAL MOUNTS AND ACCESSORIES

HA60WLM3	Wall Mount Bracket
HA60PMC3	Pendant mount cap for 3 inch dome, white
HD5-MK2*	Flush Mount kit for Indoor Dome
HD5CBL / HD5CWH*	In Ceiling Mount Bracket (Clear)
HD5TBL /HD5TWH*	In Ceiling Mount Bracket (Smoke)
HA60POEZ	UPOE Injector
HA60CB3	Replacement Dome, 60 series indoor bubble (Clear)
HA60SB3	Replacement Dome, 60 series indoor bubble (Smoke)
HA60WIF	Wifi dongle and USB adapter for camera configuration

(*): 4S Box might be needed (depth no less than 2-1/8", to purchase from market)

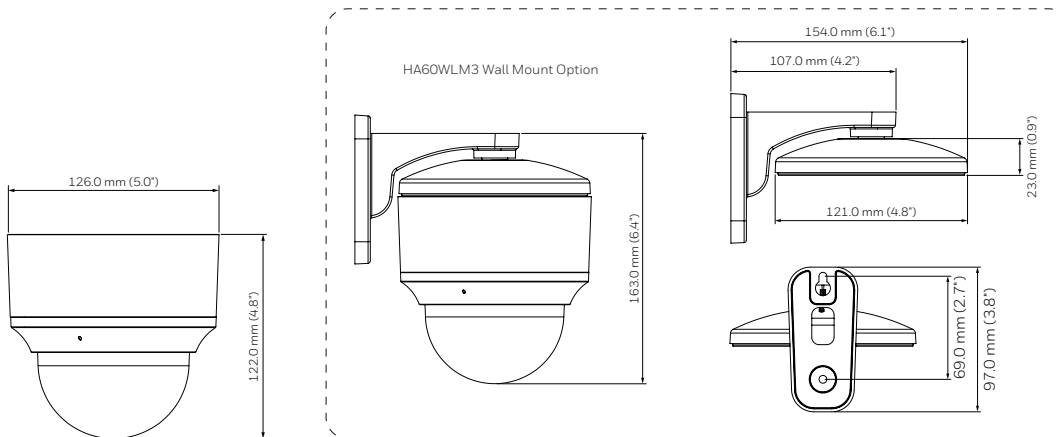


Learn more
about 60 Series
accessories

ORDERING

HC60W35R2	5MP Network IR Indoor Dome Camera, WDR>120 dB, 1/2.8" CMOS, 2.7-13.5 mm MFZ, 4 IR LEDs, PoE, H.265 HEVC Smart Codec, IP52, Built-in Microphone, White
HC60W35R4	5MP Network IR Indoor Dome Camera, WDR>120 dB, 1/2.8" CMOS, 7-22 mm MFZ, 4 IR LEDs, PoE, H.265 HEVC Smart Codec, IP52, Built-in Microphone, White

DIMENSIONS



Available at



Phone: 1300 663 904
www.csmerchants.com.au
ABN : 33 618 009 680

VIC: Melbourne

Unit 144, Access Corporate Park,
45 Gilby Road, Mill Waverley
Melbourne, VIC 3149
PH: 03 9558 0455
FAX: 03 9558 8466
Email:
sales.vic@csmerchants.com.au

NSW: Sydney

Unit 4, 52-60 Roberts Road,
Orestera, NSW 2190
Tel: 02 9890 5900
Fax: 02 9890 5600
Email:
sales.nsw@csmerchants.com.au

QLD: Brisbane

Unit 1, 107 Da Vinci Business Park
2-6 Leonardo Drive, Brisbane Airport
Fogle Farm, QLD 4007
Tel: 07 3552 5868
Fax: 07 3552 5877
Email:
sales.qld@csmerchants.com.au

SA: Adelaide

Unit 1, 80 Grove Avenue,
Marleston, SA 5033
Tel: 08 8297 5555
Fax: 08 8297 5500
Email:
sales.sa@csmerchants.com.au

WA: Perth

Unit 4, 103 Brindale Road,
Balcatta, WA, 6021
Tel: 08 9344 2555
Fax: 08 9344 3555
Email:
sales.wa@csmerchants.com.au

Tasmania

Local Electronics
184A Main Road,
Moonah Tas 7008
Tel: 03 62 72 72 88
Email:
sales@localelectronics.com.au

