

30 SERIES HN3008xx HN3016xx



Embedded Network Video Recorder

Introducing Honeywell's 30 Series Embedded NVRs, our newest affordable, fully-featured NVRs offer 4K HD (UHD) video resolution. Choose between a 8 or 16 channels NVR, with multiple hard drive options and up to 20 TB of internal storage, for an ideal and flexible solution designed for use as part of video systems which comply with NDAA 2019, Section 889.

FULLY-FEATURED NVRs

- High decoding capability for 4K Ultra HD (UHD) viewing and recording
- View 1 to 4 channels simultaneously with synchronized real-time playback on your monitor (depending on the decoding capacity and recording resolution)
- Up to 8 MP (4K) resolution live view and playback
- Support H.265 HEVC smart codec/H.264/MJPEG Video Codec
- De-warp fisheye camera video in NVR local, web client, HVMV and HVMV mobile APP for 360 degree situational awareness
- Together with 30/60 series cameras, offering bandwidth saving features like Dynamic intra frame period, Smart codec.
- Received People Detection Notification for efficient & effective protection

DYNAMIC, ACCESSIBLE MONITORING

- Simple remote configuration through Honeywell Video Management Viewer (HVMV)
- Global P2P Service with reliable connection anytime, anywhere
- Mobile apps provide anytime, anywhere access for both Apple® and Android™ devices

FEATURES

- H.265/H.264/MJPEG codec decoding
- HDMI/VGA simultaneous video output
- USB ports support Keyboard and Mouse
- Supports up to 4 alarm input channels and 1 alarm relay output channels
- Supports sending notifications through email, alarm out
- Supports recording a video clip of events for distribution
- Supports uploading still images at the time of the event through email
- Configurable to automatically detect and respond to motion in the scene, alarm inputs, and network failure or tampering
- Supports visual or auditory notifications (a flashing light, bell, or siren)

SECURE & COMPLIANT SOLUTION

- For use as part of Video Systems which comply with NDAA Section 889
- Built-in FIPS certification ready chip set
- Together with 30/60 series cameras, providing end to end encrypted solution, with video streaming encrypted from 30/60 cameras to NVR, and video streaming/control encrypted between NVR and web client/viewer/mobile App
- PCI-DSS compliance

CONVENIENT, FLEXIBLE STORAGE OPTIONS

- Internal storage supports 2 HDDs expandable up to 20 TB (10 TB per drive)
- Store video clips and snapshots to external storage, such as USB device on local side or PC client on web side

EASY TO USE

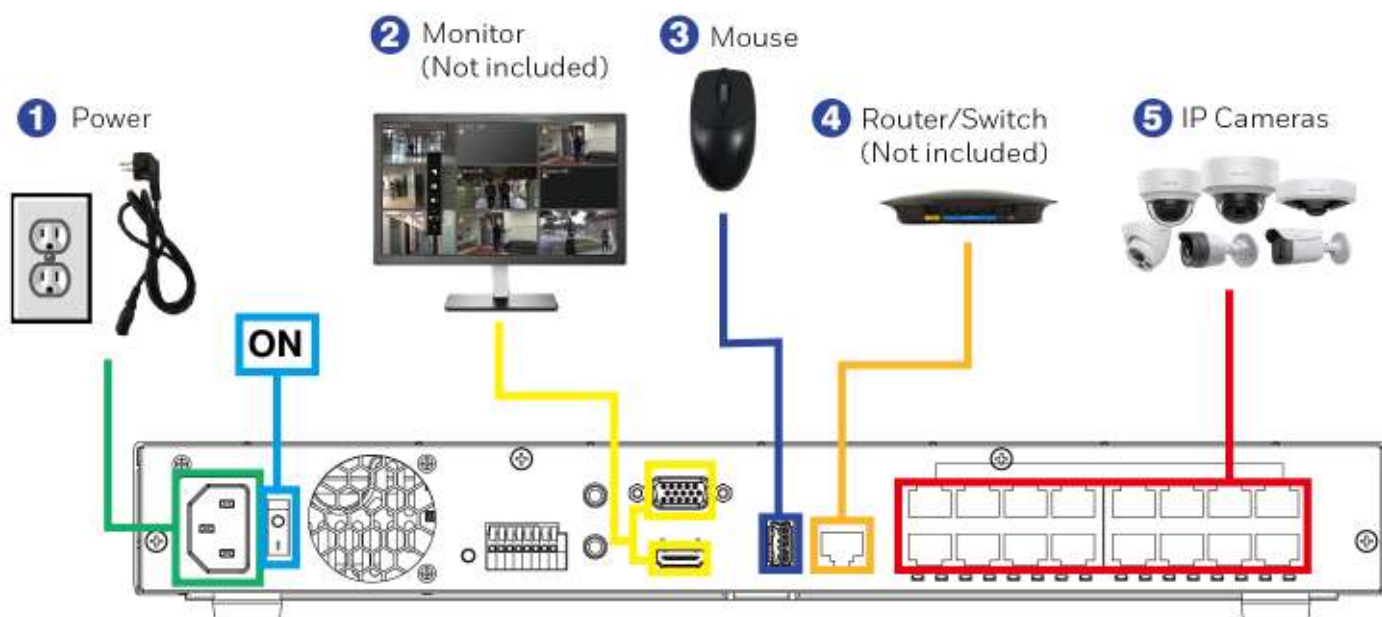
- Together with 30/60 series cameras, plug and play feature makes setup fast and easy
- Full channels POE make it easy for use, also saving total cost of ownership
- The quick wizard for convenient setup
- Quick installations utilizing an intuitive NVR design and easy-to-understand quick installation guides

MARKET OPPORTUNITIES

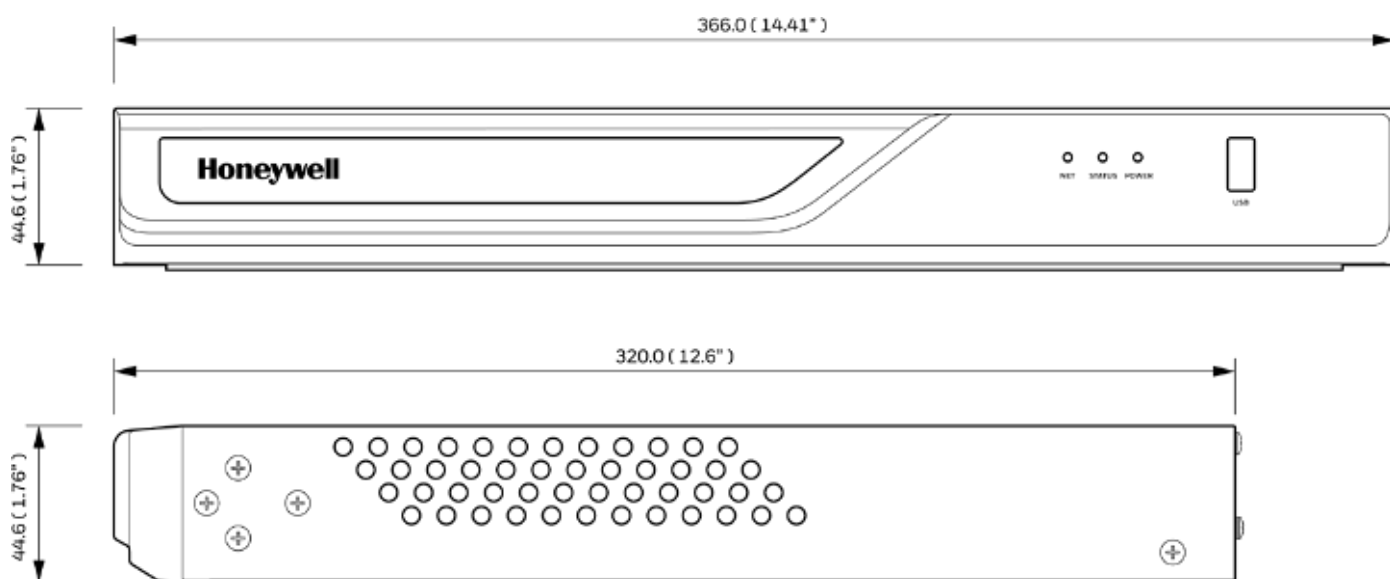
Flexible storage options, high recording and networking performance, robust cyber security performance make these NVRs perfect for a wide range of security applications where compliance is essential and data is protected.

30 SERIES EMBEDDED NETWORK VIDEO RECORDER

SYSTEM DIAGRAM



DIMENSIONS



30 SERIES EMBEDDED NETWORK VIDEO RECORDER

TECHNICAL SPECIFICATIONS

SYSTEM

Main Processor	ARM Processor
Operating System	Embedded LINUX
Camera Integration	ONVIF Profile S
User Management	User level: administrator, regular user
Log	System, Recording, User, Error
Date&Time	Time Zone, Manual, Automatic Sync NTP, Daylight Saving Time
Fan	Yes
Security	Fips Chipsets built in, encrypted streaming & control

VIDEO

Inputs	HN300802xxx: 8 Channels HN301602xxx: 16 Channels
--------	---

AUDIO

Audio	3.5 mm Line out x1
Audio Format	G.711, G.726

DISPLAY

Interface	HDMI x 1 (4K Max), VGA x 1 (1080P)
Resolution	3840 x 2160, 1920 x 1080, 1280 x 720
Display Split (HN300802xxx)	1x1, 2x2, 3x3, 1M+5, 1P+3, 1P+6, 2P+3, 3V
Display Split (HN301602xxx)	1x1, 2x2, 3x3, 4x4, 1M+5, 1M+12, 1P+3, 1P+6, 2P+3, 3V
Stream Application	1x1: Camera Stream 1 2x2: Camera Stream 2 3V: Camera Stream 2 3x3 and above: Camera Stream 3
Monitor Enhancement	OSD Display (NVR), OSD Display (Camera), Camera Information, Aspect Ratio
Fisheye Dewarp	Support on NVR local, web client, viewer & mobile app
PTZ Operation	Direction control, home, iris, preset, patrol (group), Digital PTZ

RECORDING

Compression	H.265 smart codec/H.264/MJPEG
Resolution	Up to 3840 x 2160
Frame Rate	30 fps
Recording Mode	Continuous, Schedule, Manual, Event
Pre-Event Recording Interval	5 s (Max.10 s)
Post-Event Recording Interval	20 s (Max. 300 s)
Recording Stream	Single
Recording Throughput	HN300802xxx: total 64 Mbps, maximum 8 Mbps per Channel HN301602xxx: total 96 Mbps, maximum 6 Mbps per Channel

VIDEO DETECTION AND ALARMS

Event	Camera: Camera Alarm In/Out, Motion detection, People detection, Intrusion detecting, Tampering detection, Camera disconnection System: System Alarm in/out, Disk failure, Disk full
Event Action	Video recording, Send email, Buzzer, FTP, Camera Alarm Out, Pan-tilt-zoom, HTTP, System Alarm Out, Send to HVMV
Alarm Input	4
Alarm Out	1

STORAGE

Internal HDD	Internal x 2 (3.5")
HDD Max. Capacity	10 TB per drive
Manual Backup	USB Dongle (FAT Format)

PLAYBACK AND BACKUP

Sync Playback	1-4 channels depending on the video resolution and decoding capability
Decoding	H.265/H.264: 3840 x 2160 @ 30 fps (1-CH) 2560 x 1920 @ 30fps (1-CH) 1920 x 1080 @ 120 fps (4-CH) 1280 x 720 @ 240 fps (8-CH) 720 x 576 @ 480 fps (16-CH)
Search Mode	Time search, Event Search
Playback Function	Regular (play, pause, stop), play backwards, next /previous frame, go back 10 seconds, go forward 10 seconds, speed control, timeline, timeline scale, digital zoom
Snapshot	JPEG

NETWORK

Ethernet	10/100/1000Mbps Ethernet (RJ-45) x 1 APIPA (If no external DHCP server)
PoE (HN300802xxx)	Support DHCP Server 802.3at/af compliant PoE ports x 8
PoE (HN301602xxx)	Support DHCP Server 802.3at/af compliant PoE ports x 16
DHCP Server	Yes
Supported Protocols	IPv4, TCP/IP, HTTP, HTTPS, RTSP/RTP/RTCP, SMTP, DHCP, NTP, DNS, FTP, P2P
Maximum Number of Users	15
Network Throughput	Input and output total 128 Mbps
Smart Phone Compatibility	IOS 11 or later and Android 5.0 or later support
Browsers	IE 11, Chrome

AUXILIARY INTERFACE

USB Ports	Front x1; Back x1
-----------	-------------------

ELECTRICAL

Power Supply	100-240 VAC, 50/60 Hz
Power Consumption	HN300802xxx: Max. 230 W; 14.29 W without HDD without PoE Total PoE power consumption Max. 120 W, 30 W for a single port HN301602xxx: Max. 340 W; 14.29 W without HDD without PoE Total PoE power consumption Max. 200 W, 30 W for a single port

ENVIRONMENTAL

Operating Temperature	-10°C ~ 55°C (14°F ~ 131°F)
Relative Humidity	0 ~ 95 %
Storage Temperature	-20°C to 70°C (-4°F ~ 158°F)

PHYSICAL

Dimensions (WxDxH)	366 x 320 x 44.6 mm / 14.41 x 12.6 x 1.76 in.
Weight (Without HDD)	HN300802xxx: 3.52 kg / 7.76 lbs HN301602xxx: 3.63 kg / 8 lbs

REGULATORY

Emissions	FCC Part 15B, EN55032: 2015, EN61000-3-2: 2014, EN61000-3-3: 2013
Immunity	EN50130-4: 2011+A1: 2014
Safety	EN62368-1:2014 UL62368-1, 2 nd Ed, 2014-12-01 CAN/CSA C22.2 No. 62368-1-14, 2 nd Ed
RoHS	EN50581: 2012

30 SERIES EMBEDDED NETWORK VIDEO RECORDER

RECOMMENDED CAMERAS

DOME CAMERAS	HC30W42R3, HC30W45R3, HC30W45R2, HC60W45R2, HC60W45R4, HC60W35R2, HC60W35R4
BULLET CAMERAS	HC30WB2R1, HC30WB5R1, HC30WB5R2, HC60WB5R5, HC60WB5R2
BALL CAMERAS	HC30WE2R3, HC30WE5R3, HC30WE5R2
FISHEYE CAMERAS	HC30WF5R1
PTZ CAMERAS	HC60WZ2E30

ORDERING

HN30080200	8 Channels NVR 4K (8 MP) Support, H.265/H.264, 8 POE, stream encryption, 0 TB
HN30080202	8 Channels NVR 4K (8 MP) Support, H.265/H.264, 8 POE, stream encryption, 2 TB
HN30080204	8 Channels NVR 4K (8 MP) Support, H.265/H.264, 8 POE, stream encryption, 4 TB
HN30080208	8 Channels NVR 4K (8 MP) Support, H.265/H.264, 8 POE, stream encryption, 8 TB
HN30080216	8 Channels NVR 4K (8 MP) Support, H.265/H.264, 8 POE, stream encryption, 16 TB
HN30160200	16 Channels NVR 4K (8 MP) Support, H.265/H.264, 16 POE, stream encryption, 0 TB
HN30160204	16 Channels NVR 4K (8 MP) Support, H.265/H.264, 16 POE, stream encryption, 4 TB
HN30160208	16 Channels NVR 4K (8 MP) Support, H.265/H.264, 16 POE, stream encryption, 8 TB
HN30160216	16 Channels NVR 4K (8 MP) Support, H.265/H.264, 16 POE, stream encryption, 16 TB
HN30160220	16 Channels NVR 4K (8 MP) Support, H.265/H.264, 16 POE, stream encryption, 20 TB

Available at



Phone: 1300 663 904
www.csmerchants.com.au
 ABN : 33 618 009 680

VIC: Melbourne

Unit 144, Access Corporate Park,
 45 Gilby Road, Mt Waverley
 Melbourne, VIC 3149
 PH: 03 9558 8455
 FAX: 03 9558 8168
 Email:
sales.vic@csmerchants.com.au

NSW: Sydney

Unit 1, 52-50 Roberts Road,
 Greenacre, NSW 2190
 Tel: 02 8880 5300
 Fax: 02 9890 5800
 Email:
sales.nsw@csmerchants.com.au

QLD: Brisbane

Unit 1, 107 Da Vinci Business Park
 2-6 Leonardo Drive, Brisbane Airport
 Eagle Farm, QLD 4007
 Tel: 07 3562 5966
 Fax: 07 3552 5977
 Email:
sales.qld@csmerchants.com.au

SA: Adelaide

Unit 1, 60 Grove Avenue,
 Marleelon, SA 5003
 Tel: 08 8297 5555
 Fax: 08 6297 5500
 Email:
sales.sa@csmerchants.com.au

WA: Perth

Unit 14, 103 Erindale Road,
 Balcatta, WA, 6021
 Tel: 08 9344 2555
 Fax: 08 9344 3555
 Email:
sales.wa@csmerchants.com.au

Tasmania

Local Electronics
 194A Main Road,
 Moonah Tas 7009
 Tel: 03 62 72 72 88
 Email:
sales@loalelectronics.com.au

