

**IE/IF Series
DOOR STATION, audio only**

Models: IF-DA, IE-DC, AX-DM *Surface-mount*
IE-NC* *Semi-flush mount*
IE-JA, IE-FY* *Flush-mount* * N/A in USA

INSTALLATION & OPERATION MANUAL

Safety Precautions

⚠ WARNING *Negligence could result in death or serious injury.*

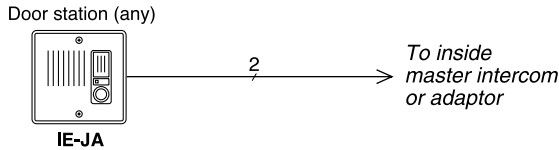
- When existing doorbell wires are used, it is possible that they contain AC voltage. Electric shock or unit damage could result. • Make sure doorbell transformer is disconnected before re-using those wires. Only a qualified Technician should do the installation.

⚠ CAUTION *Negligence could result in injury or damage to property.*

- Before turning on power, make sure wires are not crossed or shorted. Fire or electric shock could result. • Do not install or make any wire terminations while power supply is plugged in. It can cause electrical shock or damage to the unit.

1 SYSTEM OUTLINE & COMPONENTS

IE/IF Series door stations are designed for outdoor use to replace a doorbell, and to provide communication with an inside intercom station.



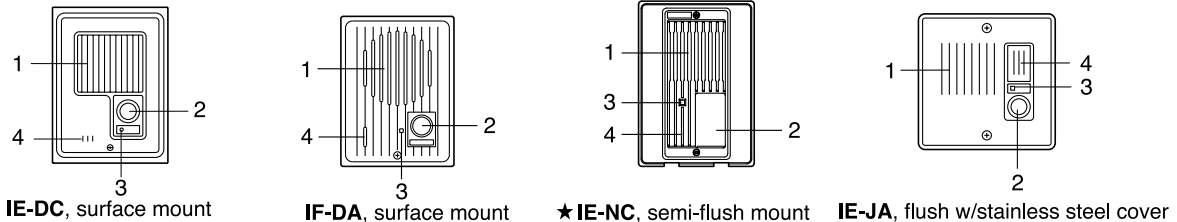
Package contents

- Door station
- Packet of screws
- Installation & Operation Manual (except IF-DA)

Compatible systems

- IE Chime tone intercom: **IE-1AD(U), IE-1GD(U), IE-2AD(U), IE-2A2D(U), IE-8MD.**
- IE-8 Selective chime tone intercom: **IE-8MD.**
- TD-H/B Selective call intercom: **TD-3H/B, TD-6H/B, TD-12H/B, TD-24H/B.**
- TC-M Internal telephone intercom: **TB-AD1 (1 door), TB-AD10 (up to 10 audio doors) or TB-ADM10 (in lieu of PanTilt video doors).**
- KB Video sentry color tilt: **KB-3MRD (3rd door).**
- AX Integrated Security & communication: **AX-084C, AX-248C.**

2 NAMES & FEATURES

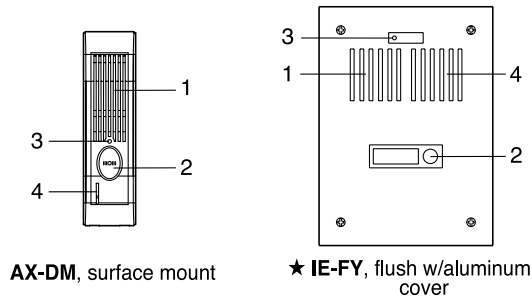


Features

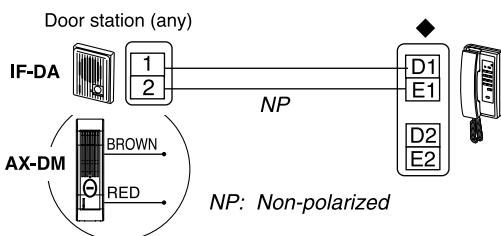
- Weather-resistant
- Surface or semi-flush mount models
- Locator LED always lit to indicate power
- Press CALL button to activate chime or audio tone at inside intercom

1. Speaker
2. Call button
3. Locator LED
4. Mic.

★ N/A in USA



3 WIRING



◆ Connecting terminals:

- 1, 2 IE-1AD(U), DE-UR for TD-H/B
- D1, E1 IE-1GD(U), KB-3MRD
- D1, E1, D2, E2 IE-2AD(U), IE-2A2D(U), IE-8MD

*For TC-M

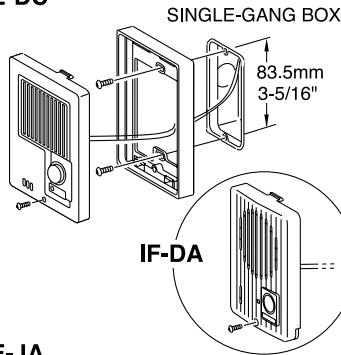
- 1, 2 TB-AD1
- D1~D10,E (any) TB-AD10
- 1A1, 1A2 ~ 10A1, 10A2 TB-ADM10 (in place of PanTilt door)

See AX SERIES Manual for connection with AX system.

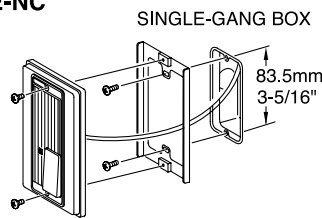
* Use a standard 2-conductor cable, non-twisted, 22AWG or 18AWG (0.65mm Ø or 1.0mm Ø).

4 MOUNTING

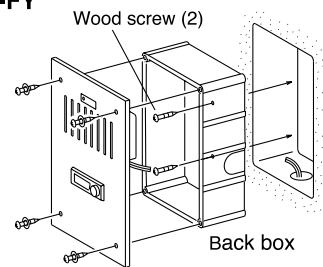
IE-DC



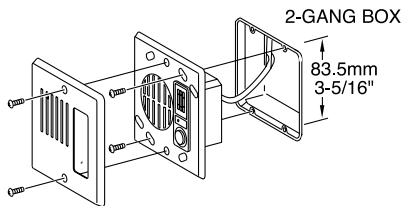
IE-NC



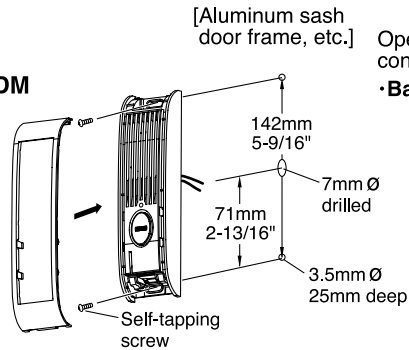
IE-FY



IE-JA



AX-DM



[Aluminum sash door frame, etc.]

Open a cable pass hole on either side convenient of back box.

• Back box dimensions

H	L	D
185mm	128mm	66mm
7-9/16"	5"	2-9/16"

5 OPERATIONS

Momentarily press CALL button, which activates a (chime) tone at room station(s). To reply, pick up handset. Communication to door is automatically connected. On TD-H/B, select the designated channel to answer. On TC-M, depress the station button with the lit LED to answer.

6 TECHNICAL PRECAUTIONS

- Door station is weather-resistant, but do not spray high-pressure water. Unit trouble could result.
- If possible, it is recommended that the unit be installed under a cover not exposed to direct rain.
- Do not apply caulking seals around the door station. Unit trouble could result, if the rain-escape openings would be sealed on bottom.
- Do not run audio wires in the same cable or conduit with any AC wiring, including door strike wires.
- Terminate wires on two terminals, securing insulation to protect against weathering.

Cleaning

- Clean IE//IF door station with a soft cloth dampened with neutral household cleanser. Never use any abrasive cleaner or cloth.

7 SPECIFICATIONS

- **Power source :** Supplied from intercom or adaptor
- **Calling :** 4 or 2-tone chime in IE or IE-8 intercom (8-tone in KB-3MRD).
 - * With TD-H/B system, DE-UR generates fast or slow intermittent tone for 2.5 sec.
 - * On TC-M, intermittent tremolo rings for 40 sec. with a lit LED.
- **Wiring :** 2 conductors, non-shielded, non-polarized.
- **Wiring distance:**

Diameter	0.65mm	1.0mm
Distance	150m	360m

AWG	22AWG	18AWG
Distance	500'	1,180'

* See AX SERIES Manual for permitted distance when AX-DM, etc. is used with AX system.

• Dimensions & weight:

Models	H	W	D	Weight
IF-DA	130	98	28.5	200g
IE-DC	135	100	34	220g
IE-NC	140	98	14.5(21)	220g
IE-JA	115	116	10(30)	205g
IE-FY	220	160	14(66)	700g
AX-DM	160	43	22.5	100g

D: (Recessed)

Models	H	W	D	Weight
IF-DA	5-1/8"	3-7/8"	1-1/8"	0.44lbs.
IE-DC	5-5/16"	4"	1-11/16"	0.49lbs.
IE-NC	5-1/2"	3-7/8"	9/16"(13/16)"	0.49lbs.
IE-JA	4-1/2"	4-9/16"	3/8"(1-3/16)"	0.45lbs.
IE-FY	8-3/4"	6-1/4"	9/16"(2-9/16)"	1.54lbs.
AX-DM	6-5/16"	1-11/16"	7/8"	0.22lbs.

WARRANTY

Aiphone warrants its products to be free from defects of material and workmanship under normal use and service for a period of two years after delivery to the ultimate user and will repair free of charge or replace at no charge, should it become defective upon which examination shall disclose to be defective and under warranty. Aiphone reserves unto itself the sole right to make the final decision whether there is a defect in materials and/or workmanship; and whether or not the product is within the warranty.

This warranty shall not apply to any Aiphone product which has been subject to misuse, neglect, accident, or to use in violation of instructions furnished, nor extended to units which have been repaired or altered outside of the factory.

This warranty does not cover batteries or damage caused by batteries used in connection with the unit.

This warranty covers bench repairs only, and any repairs must be made at the shop or place designated in writing by Aiphone.

Aiphone will not be responsible for any costs incurred involving on site service calls.

AIPHONE CO., LTD., NAGOYA, JAPAN
 AIPHONE CORPORATION, BELLEVUE, WA, USA
 AIPHONE S.A.S., LISSES-EVRY, FRANCE

AIPHONE[®]
 Providing Peace of Mind
<http://www.aiphone.com/>