

Introduction

- Read this manual before installation and connection.
- Read the "Installation Manual" included with IXG-2C7 or IXG-2C7-L.



Perform installation and connection only after gaining sufficient understanding of the system and this manual.

Precautions

Notice

- The illustrations used in this manual may differ from the actual product.

Precautions for mounting

- Do not use an impact driver to fasten screws. Doing so may cause damage to the device.

Literature information

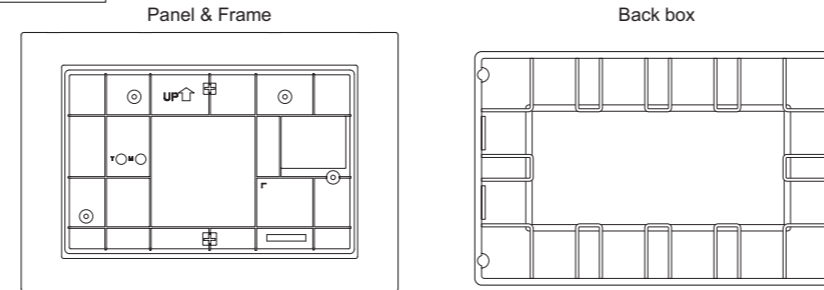
The important information concerning correct operation and what you should observe is marked with the following symbols.



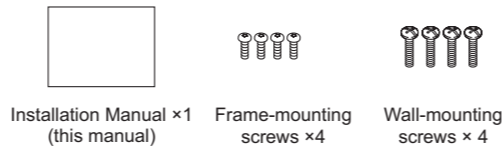
Restricts user actions / provides instructions.

Part Names and Accessories

Front view



Included accessories



Specifications

IXG-FMK-2C7

Mounting	Flush wall-mounted
Materials	Panel: Self-extinguishing resin
	Frame & Back Box: Self-extinguishing plastic
Color	Panel & Frame: White
	Back Box: Black
Dimensions	Panel & Frame: 290 mm (11-7/16") [W] × 199 mm (7-13/16") [H] × 30 mm (1-3/16") [D]
	Back Box: 265 mm (10-7/16") [W] × 169 mm (6-5/8") [H] × 40 mm (1-9/16") [D]
Mass	Panel & Frame: Approx. 110g (0.25 lbs)
	Back Box: Approx. 220g (0.49 lbs)

How to Install

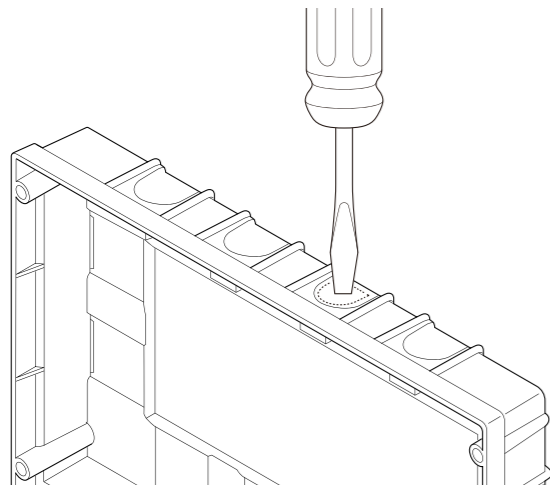
Installation of Tenant Station with Flush mount kit

Tenant Station (IXG-2C7, IXG-2C7-L) is sold separately.

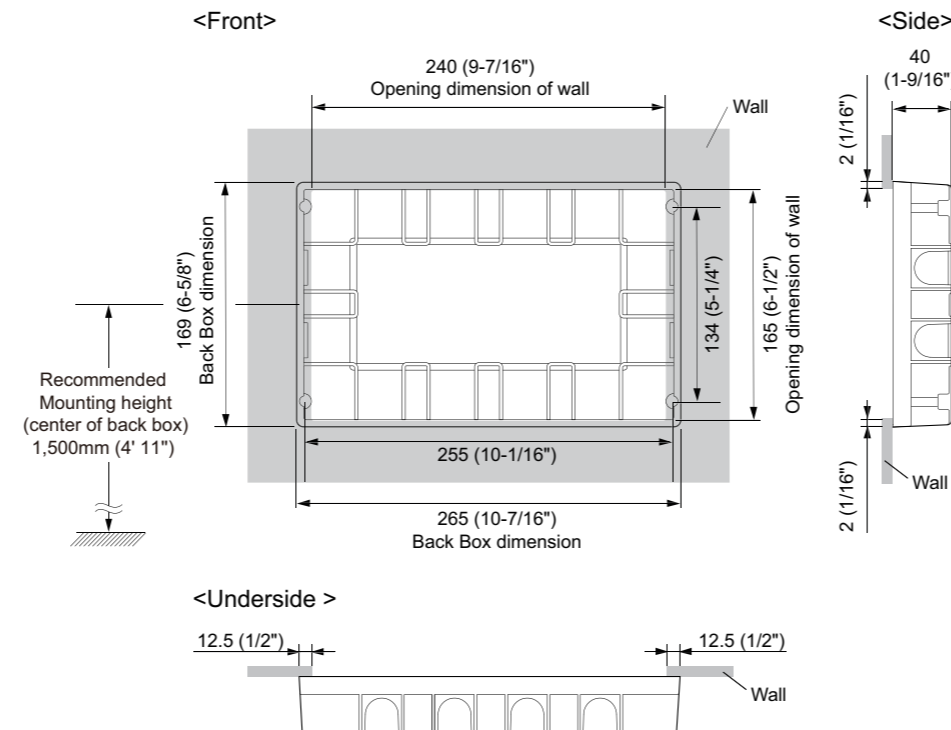
Installation of Back Box

1. Make a hole for the cable.

Pass the LAN cable and low voltage cable through the opened hole.



2. Install the back box in the wall.

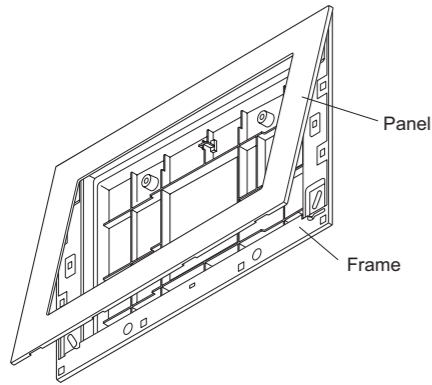


How to install Tenant Station is described on the back.

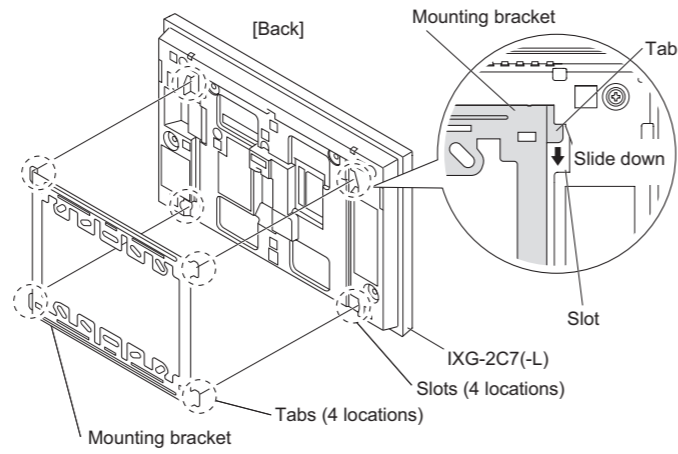
How to Install

Installation of Tenant Station

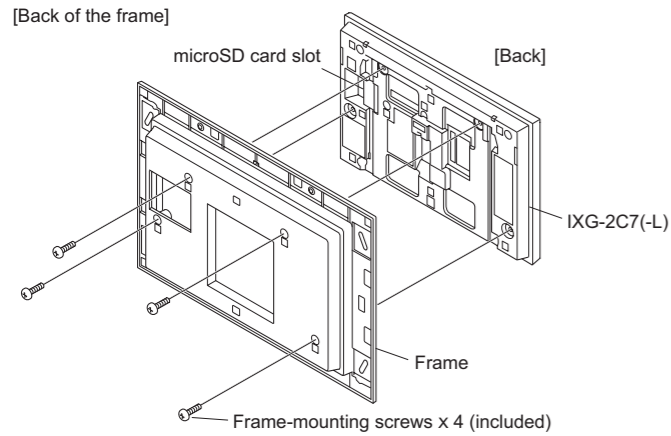
1
Remove the panel from the frame.



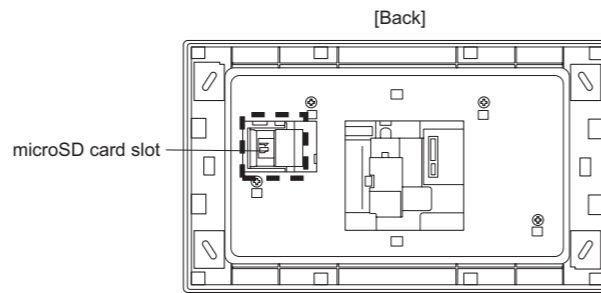
2
Remove the mounting bracket from IXG-2C7(-L).
Slide the mounting bracket down and remove it.
* The mounting bracket is not needed.



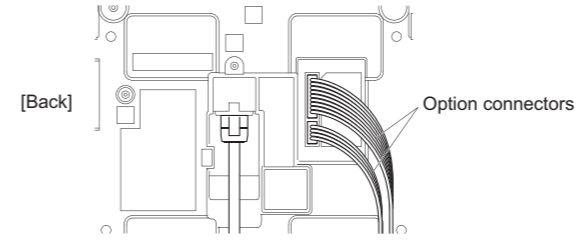
3
Position the frame with “UP↑” facing up, and attach the frame to IXG-2C7(-L).
! Be careful not to scratch the monitor when performing attachments.



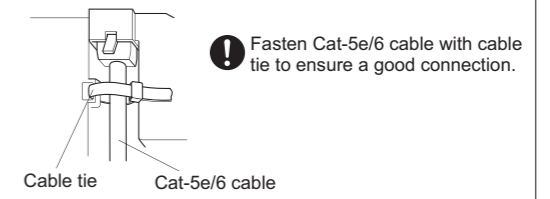
4
Insert a microSD card into the microSD card slot if recording function is used.
* If microSD card is not needed, go to step 5.
(1) Pull the microSD card slot cover to open.
(2) Insert a microSD card.
* Push it in until you hear it click into place.
* When you take the microSD card out, push the microSD card until you hear it click, and then remove it.
(3) Return the cover.



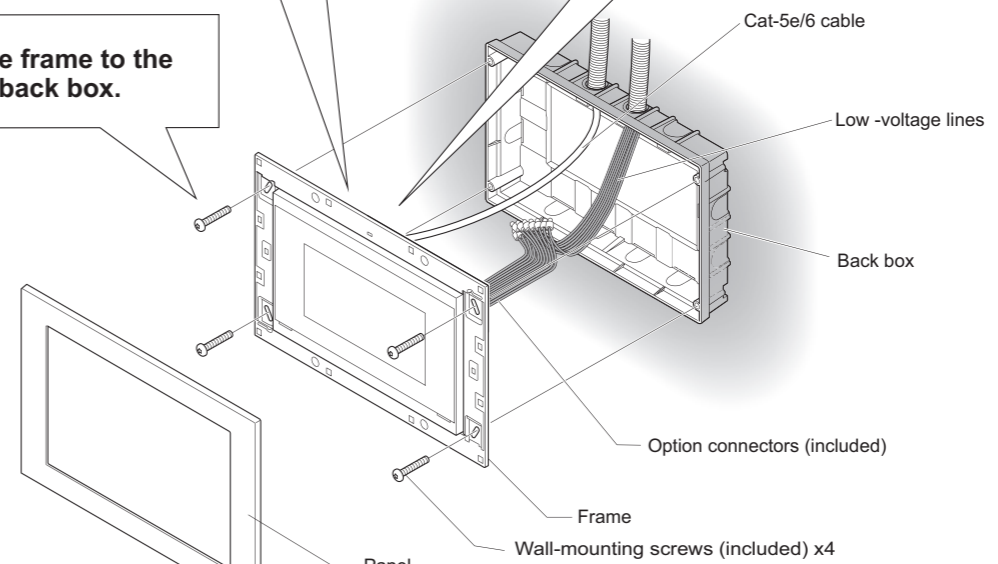
5
Connect the option connectors (included in IXG-2C7(-L)) to the low-voltage lines using crimping method, then insert the option connectors and Cat-5e/6 cable to the station.
* Refer to the “Installation Manual” of IXG-2C7(-L) for wiring connections.



6
Fasten Cat-5e/6 cable to the station with the cable tie (included)



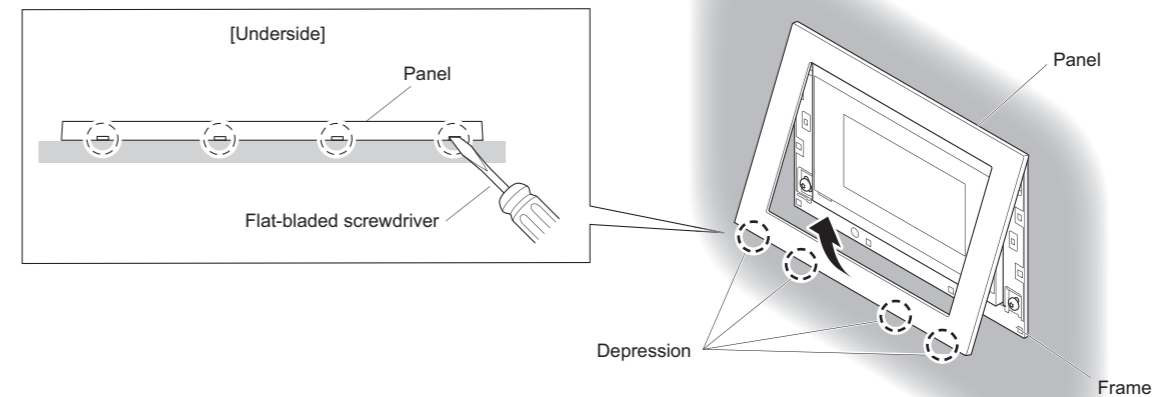
7
Attach the frame to the installed back box.



8
Position the panel with “UP↑” facing up, and press all around the panel to fit it firmly in place.

How to remove the panel from the installed station

Place a flat-bladed screwdriver in depression at the bottom and pull the panel toward you.



* Using anything other than the bundled screws may damage the device.