

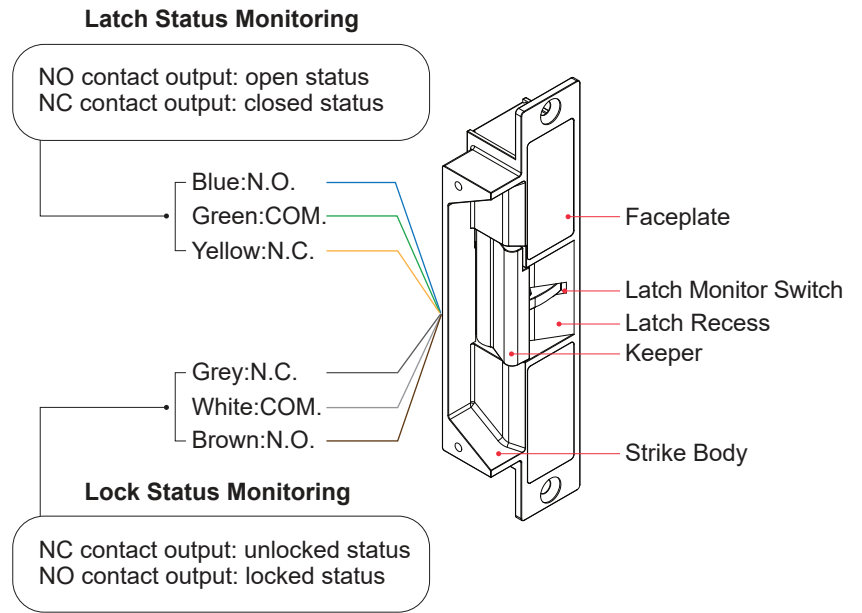
KES900 Series Electric Strike

Installation Instructions

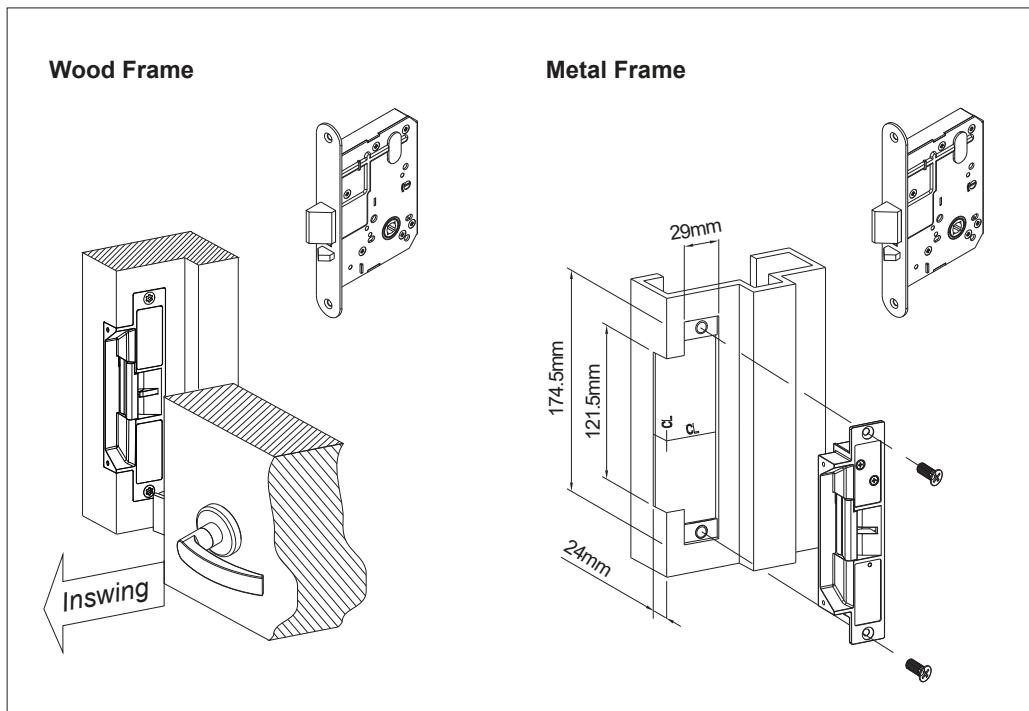
Specifications

Operating Voltage	12/24VDC	
Voltage Tolerance	±15%	
Current Draw	600mA/12VDC, 300mA/24VDC	
Temperature	-10°C ~ +49°C	
Humidity	0~85%	
Static Strength	KES900S	1000kg (2200lbs)
	KES900Z	680kg (1500lbs)
Preload	35kgs (80lbs)	
Endurance Rating	500,000 cycles	
Strike Body	KES900S	Stainless Steel
	KES900Z	Zinc Alloy

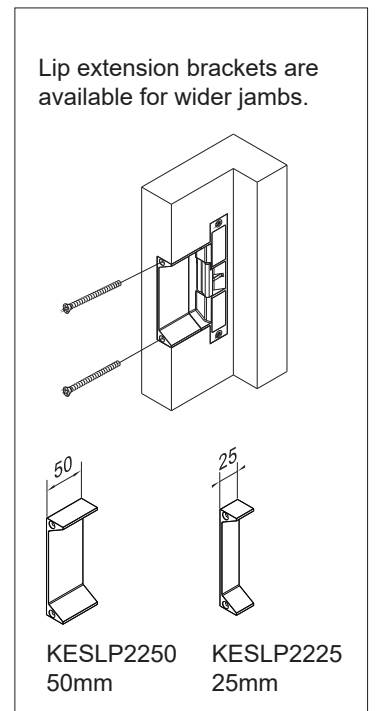
Monitor Wires



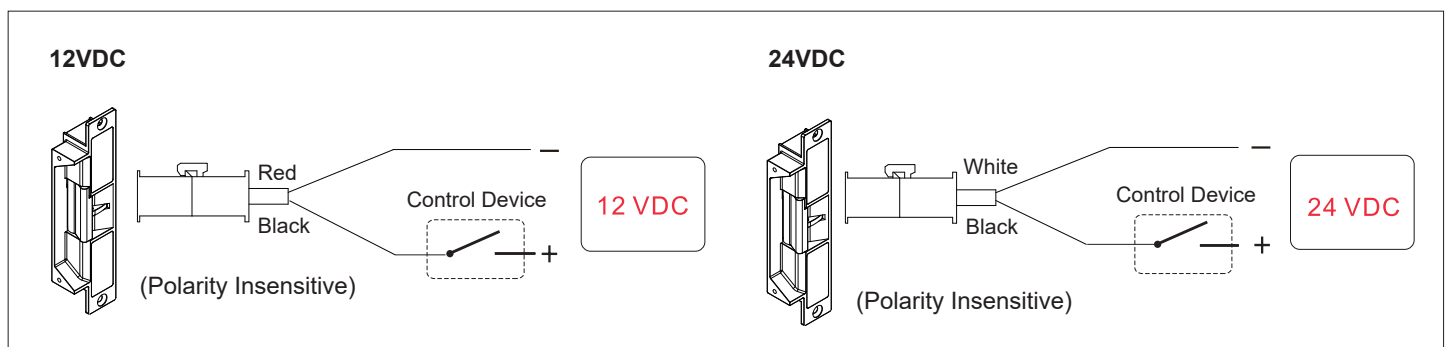
Installation



Optional Brackets



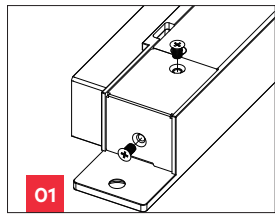
12/24 VDC Wiring Diagram



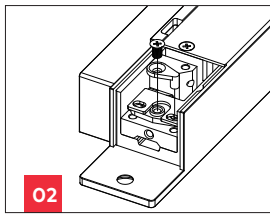
KES900 Series Electric Strike

Installation Instructions

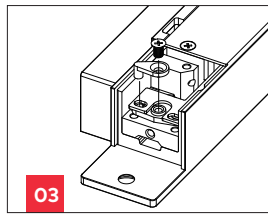
Changing Fail-Safe/Fail-Secure



01 Remove the screws on the back of the strike and take off the cover.

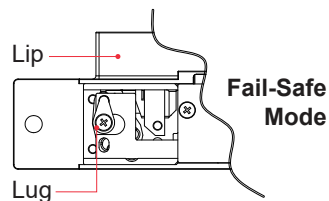
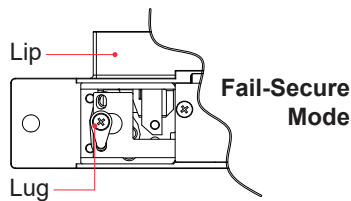


02 Remove the screw on the lug.



03 Install the lug in the orientation as desired and tighten with the screw.

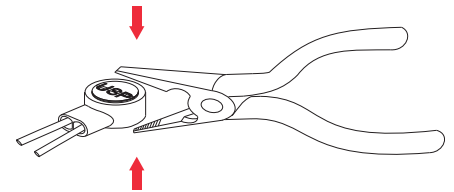
See the below diagram for the lug position when operating in fail-safe or fail-secure mode.



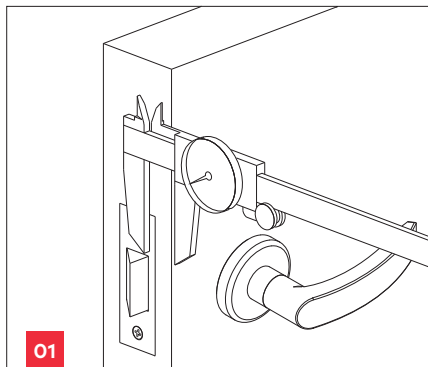
*Factory Default Setting: Fail-Secure

Installing the Crimp Connectors

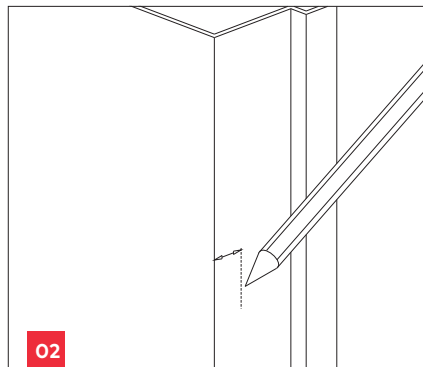
Place the wire inside the connector and use a crimp or pliers to press down on the head of the connector evenly.



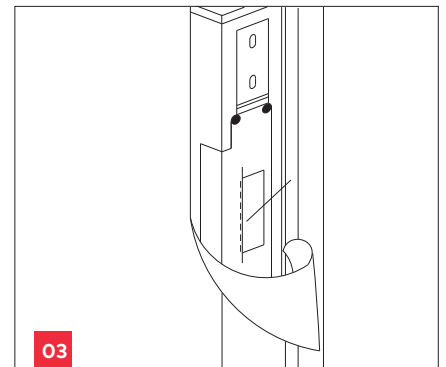
Installation Steps



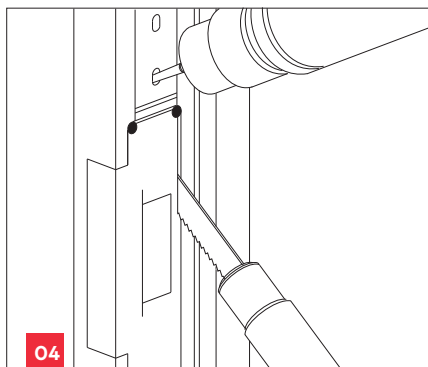
01 Measure latch position on the door.



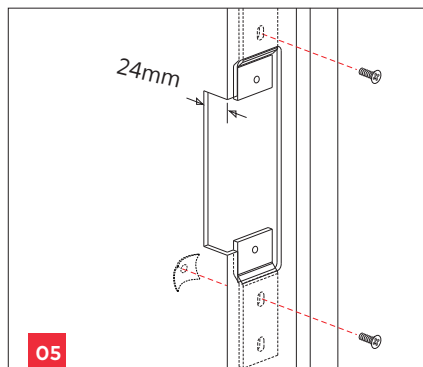
02 Mark latch position on the door frame.



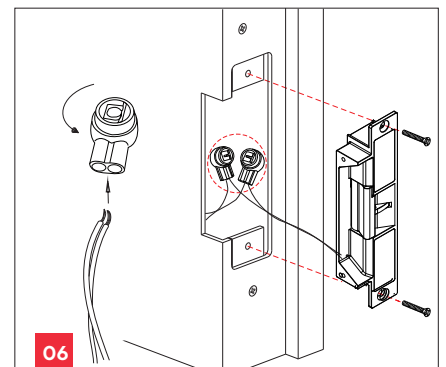
03 Mount the supplied template and align to the marked line.



04 Drill and cut the frame according to the template.



05 Fix the mounting lugs.



06 Connect the wires using the crimp connectors, and then test the strike.