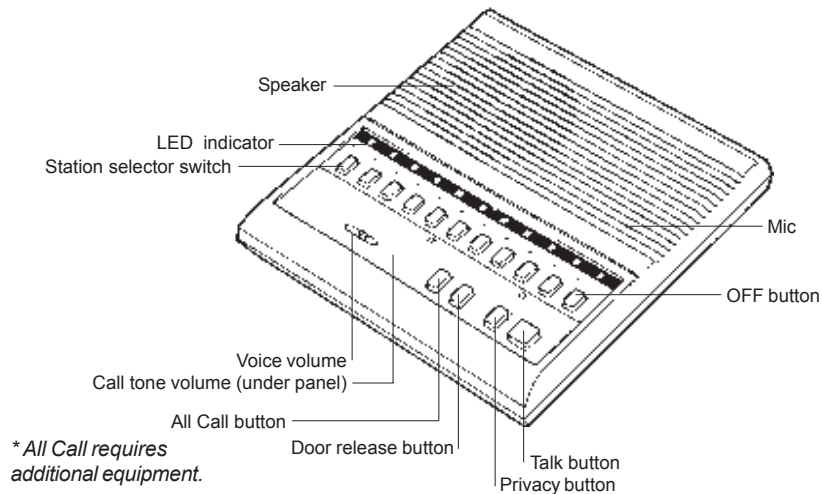


LEF-10S

10-Call Master Station with All Call* Button



DESCRIPTION:

The LEF-10S is a selective calling open voice style master station with the capacity of up to 11 total stations. The system can be designed to meet a wide variety of needs, including any combination of master and sub stations up to its maximum capacity.

Incoming calls from a sub or door station sound an electronic mono-tone and light an LED, remaining lit for approximately 20 seconds. Communication at the calling master is press-to-talk, release-to-listen. Person at the receiving station speaks hands free. The person at the master station can selectively call and talk with a person at any other sub or master station in the system. An All Call* announcement can be made from the master station, heard through all stations in the system. **All Call requires additional equipment.* The privacy feature on the master and selected subs prevents a master from hearing sounds from a station in the privacy mode.

Master stations can be wall or desk mounted. Sub stations are available in surface or flush mount styles, with or without privacy. Outdoor stations are available in surface or flush mount styles. Indoor and outdoor vandal proof stations are also available.

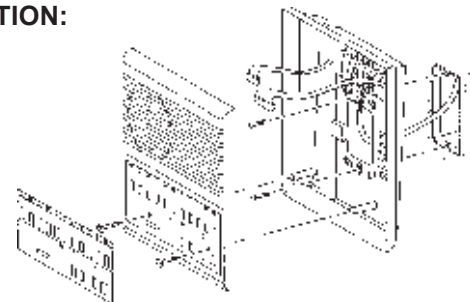
COMPATIBLE COMPONENTS:

- LEF or LAF Series Master Stations
- LE-, LA-, or LS-series Sub/Door Stations
- BG-10C All Call/Chime/Music Adaptor
- PS-1225UL Power Supply

FEATURES:

- Up to 11 stations
- Fully intermixable system, including any number of masters and subs up to the maximum capacity
- LED annunciation and momentary tone from calling sub or door station
- Push-to-talk at calling master, with hands free communication at responding station
- All Call from master (with All Call adaptor in system)
- Large variety of sub stations, surface or flush mount
- Video door entry can be integrated
- Selective monitoring
- Privacy button to prevent eavesdropping
- Voice and call tone volume controls
- Selective door release

MOUNTING & INSTALLATION:



ARCHITECTS/ENGINEERS' SPECIFICATIONS:

The intercom system shall be of an open voice, selective calling type with individual selector switches for each station. Capacity shall be 11 stations, fully intermixable with any number of master or sub stations. Master station shall be simplex operation, with hands free response from the called station.

Master station shall be equipped with station selector switches, OFF button for standby mode, TALK button for simplex operation, and PRIV (privacy) button to block unauthorized monitoring. Door release button (key symbol) shall allow for selective activation of up to 10 door strikes or maglocks through the use of relays. All Call button shall activate separate adaptor to provide simultaneous transmission to all stations in the system. Voice volume control shall adjust transmit and receive volume at the calling master station, and a call tone volume control shall be located beneath the operation plate. An incoming call shall be annunciated by a momentary electronic call tone, and the corresponding station LED shall light for approximately 20 seconds. The LED shall not light if a master station calls another master station. A tone shall be heard at the called master while pressing the TALK/PRIV buttons on the calling master. LEDs above selector buttons shall illuminate when the station button is pressed at the calling master. The Occupied LED shall light to indicate that the system is in use, and the Off LED shall light on the master that has a channel selected.

Master station shall be equipped with extra contact terminals corresponding to each selector button, capable of controlling remote devices, such as door strikes, maglocks, lights, or camera systems.

Master station shall wall mount on a 1-gang box or ring, or desk mount with an optional desktop terminal box. Sub stations shall be available in the following configurations: (1) surface or flush mount styles, with or without privacy; (2) surface mount with three call buttons, with or without privacy; (3) weather resistant door stations in surface or flush mount styles, mounted on or in standard 1-gang or 2-gang boxes; (4) vandal proof sub station, indoor or outdoor styles, with optional surface mount box.

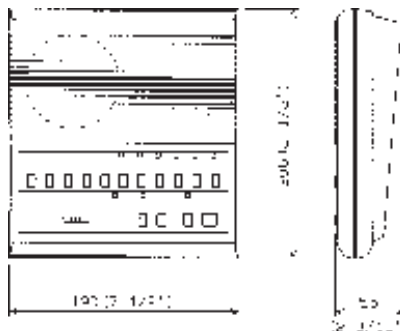
A separate adaptor shall provide All Call transmission, chime from up to three doors, and an auxiliary input to distribute background music to all or selected sub or master stations in the system.

Wiring shall be multiple conductors with an overall shield inside a single jacket, including nine (9) common wires, plus one (1) individual wire per station in the system between masters. Maximum 20 conductors, not including "K" terminals. Add one (1) wire for each station requiring external device control. Wiring to sub stations shall be three (3) conductors.

Manufacturer must have earned ISO 9001 certification for quality standards.

SPECIFICATIONS:

Power source:	12V DC, 300mA per station. Use PS-1225UL
Output:	800mW @ 20 ohms (reception), 500mW @ 20 ohms (transmission)
Communication:	Press-to-talk, release-to-listen at master station. Hands free response.
Talk channel:	1 talkpath. Occupied LED when in use.
Capacity:	Up to 11 stations, intermixable
Wiring:	5 common wires (E, R, Y, +, -), plus 1 individual wire per station, looped. All Call: 3 add'l common wires (P1~P3). Door Release: 1 add'l common (L), plus 1 add'l wire per door to be released (K1~K10). Sub stations: 2 wires homerun in single master system, or 2 common wires (E, -), plus 1 individual wire per station, looped or homerun.
Wiring Distance:	650' w/22AWG; 1600' w/18AWG
Select switch extra contact rating:	12V DC, 30mA ("K1~K10" terminals for external device control)
Door release button contact:	30V DC, 100mA (resistance load)
RY-PA contact rating:	110V AC, 1A; or 24V DC, 1A
Speaker sensitivity:	40dB
Total Harmonic Distortion:	Less than 5% at rated output power
Signal to Noise Ratio:	60dB
Frequency Response:	-3dB, 770-6800Hz.
Dimensions (H x W x D):	LEF-10S 8-1/8" x 7-1/2" x 2-3/16" LEW-10S Desktop terminal box 4-3/4" x 2-3/4" x 1-3/16"



*Intercom Solutions For
Communications and Security*

LEF-10S-SS 92325 1104