

# LEF-3L

## 3-Call Master Station with Selective Door Release

### DESCRIPTION:

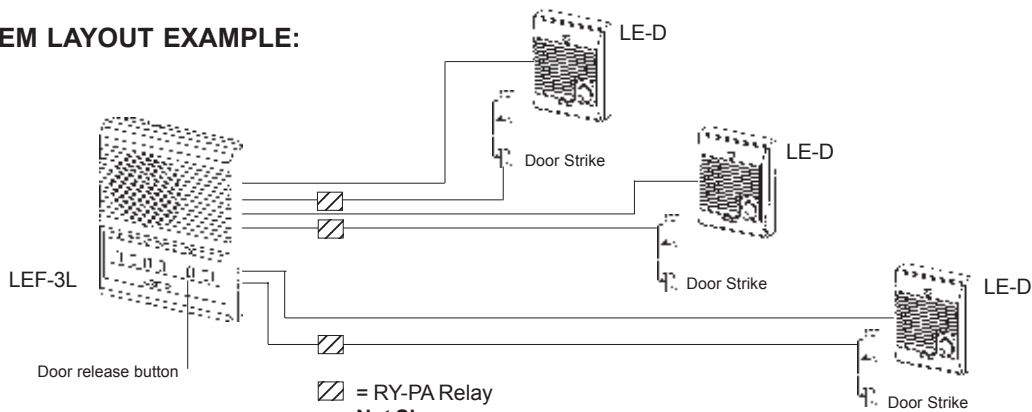
The LEF-3L is a compact 3-call master station able to communicate with three other stations, plus selectively release doors and control external devices. CCTV cameras, lights, or other devices can be activated through a relay, which is triggered when a communication channel is selected. The master station is equipped with a door release button to activate electric strikes or magnetic locks.

A relay (RY-PA\*) is required for each external device, and can be connected to provide a momentary or maintained closure. \*RY-PA has a "normally open" output, but can be modified to "normally closed".

### FEATURES:

- Intermixable -- any number of masters and remotes up to 4 total stations
- Press-to-talk communication at initiating master, hands free at responding station
- Selective control of external device from master in one of two ways with relay:
  - Momentary closure while "key" button is pressed
  - Maintained closure while station is selected
- Desk or Wall mount
- Any "LE-" series component or others compatible with the LEF series can be used
- LS-NVP/B Vandal proof, weather resistant remote station can be used

### SYSTEM LAYOUT EXAMPLE:



**Not Shown:**  
 1 PS-12C Power Supply  
 AC Transformer for strikes

**External contacts:**  
 Wire pigtail inside unit:  
 Wht: Common for door rel.  
 Brn: Sel. control for stn. 1  
 Red: Sel. control for stn. 2  
 Org: Sel. control for stn. 3

### APPLICATIONS:

- A variety of commercial applications:
- Offices
  - Courthouses
  - Hotels/Motels
  - Retail/Convenience Stores
  - Small Secured Facilities

### SPECIFICATIONS:

**Power:** 12V DC. Use PS-1225UL.  
**Output:** 500mW at 20 ohms (transmit); 800mW at 20 ohms (receive).  
**Calling:** Mono-electronic tone while call button is pressed, plus LED for 20 seconds.  
**Relay Contact:** RY-PA, normally closed output, 1A, up to 110V AC or 24V DC.  
**Wiring:** 2 conductors per remote (1-master system), or 3 conductors per remote (multi-master).  
 Max. 12 conductors between masters (full system).  
**Wire:** Between masters: 822212 (12 cond.)  
 To subs: 822202 (2 cond.); 822203 (3 cond.); 821802 (2 cond. 18AWG); 821803 (3 cond. 18AWG)  
**Wiring Dist.:** 650' with 22AWG; 1,600' with 18AWG.  
**Mounting:** Desk or wall mount (wall mounts on 1-gang box)  
**Dimensions:** 7-1/16" H x 5-5/8" W x 2-3/16" D

#92329 1104