

# Electric Mortise Locks



We take the worry out of  
protecting what's valuable to you.  
Lockwood: *no worries*®

**LOCKWOOD**

**ASSA ABLOY**

**25YEAR**

**MECHANICAL  
WARRANTY**

[www.lockweb.com.au](http://www.lockweb.com.au)

# Contents



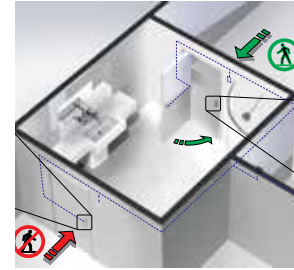
**3570 Series**  
Electric Mortice Lock  
page 3



**3579 Series**  
Electric Mortice Lock  
page 9



**3579HS Series**  
Electric Mortice Lock  
page 11



**Hi-O Room Guard**  
Locking System  
page 13



**3580 Series**  
Electric Mortice Lock  
page 16



**Power Transfer Lead**  
page 21

# 3570 Series Electric Mortice Lock



Designed and manufactured in Australia, the 3570 series electric mortice is a high performance lock of superior quality. It is constructed from high grade zinc alloy, with a stainless steel latch bolt and face plate and is suited for all commercial applications.

The lock can be operated by push buttons, intercom systems and key switches; or integrated with electronic access control systems for use with higher security devices such as keypads or card readers.

## Standards and Compliance

**S3**

(Security) Australian Lock Standard (AS4145.2.1993) (when used with equivalent security level keying system)

**D3**

(Durability) Australian Lock Standard (AS4145.2.1993)



Successfully fire rated up to 4hrs on fire door assemblies in accordance with AS1905.1. 2005 (Part 1: Fire resistant door sets)



C-Tick Certified

## Product Details

<b>Voltage</b>	12Vdc - 24Vdc Operating Voltage
<b>Current</b>	500mA (max) 80mA holding @ 12Vdc 275mA (max) 50mA holding @ 24Vdc
<b>LED Current</b>	When LED's are fitted, add 15mA (max) to total current draw
<b>Monitoring</b>	Dual Key override Deadlatched Locked Door closed Request to exit Microswitches: 500mA (max) @ 30Vdc each circuit Reedswitch: 100mA (max) @ 30Vdc
<b>Environment</b>	Operational temperature range -20c to +60c
<b>Case/Cover</b>	High purity Zinc alloy construction
<b>Backset</b>	60mm standard, 89 & 127 mm available
<b>Latch Bolts</b>	Reversible with Stainless Steel construction
<b>Door Clearance</b>	3 - 6.5 mm
<b>Door Thickness</b>	Standard applications 32 to 50mm
<b>Cylinder</b>	Standard Lockwood oval shaped cylinders
<b>Cabling</b>	1.6 metre length of cable with 12 pin socket supplied with each lock. Recommended cable: 18AWG (0.82mm <sup>2</sup> ) cable runs up to 30m
<b>Furniture</b>	Compatible with Lockwood series door furniture
<b>Standard Finishes</b>	Satin Chrome ( <b>SC</b> ) standard. Bright Chrome ( <b>CP</b> ) and Polished Brass ( <b>PB</b> ) finishes available

# 3570 Series Electric Mortise Lock

## Key Features

Designed with flexibility in mind, the one lock can cover all functions and is easily configured on site for the required application.

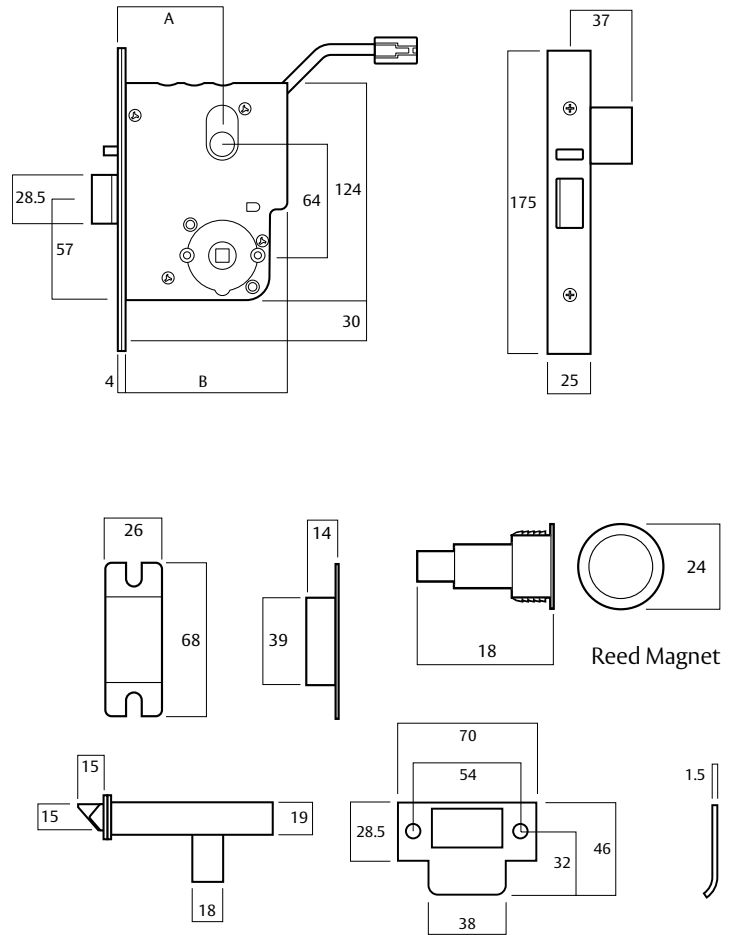
Available in non monitored and monitored versions.

### Monitoring Features:

- Dead latched and Locked
- Door position/Reed switch
- Dual key override monitoring
- Request to exit/REX
- LED indication

### Field Changeable Settings:

- Fail safe/fail secure configuration.
- Multi-voltage - will work on 12-24 Vdc systems.
- Handing - left hand and right hand doors
- Selection of free lever or locked lever on both sides of the door
- Key override monitoring either side of the door
- Monitoring contacts – normally closed, normally open (for key override and request to exit only)



## 3570 Series Electric Mortise Lock

Dimension	Backset		
A	60	89	127
B	100	129	167

## Specification Statement

The lock should be capable of operation on voltages between 12 – 24Vdc and have a current consumption not more than 80mA (holding) @12Vdc and 50mA (holding) @24Vdc. Monitored locks must be capable of monitoring the following functions: Key override, door position / reed switch, selectable hub / Request to exit, & locking bar status. All monitoring outputs must have the ability to be wired independently. All settings – including: fail safe / fail secure, handing, hub selection must be field configurable.

# 3570 Series Electric Mortice Lock

## Ordering Procedure

Sample part number 3572ELAM2RSC is made up of several sections. Choose your product by selecting an option from each section.

Backset	Fixing	Lock Functions	Electric Lock	Safety Function	Sub Function	Handing	Finish
3	5	72	EL	A	M2	R	SC

Backset	Lock Function	Safety Function	Handing
60 mm	Primary Lock	Fail Safe (Power to lock)	Right Handed
89 mm	Vestibule Lock	Fail Secure (Power to unlock)	Left Handed
127 mm	Combination Lock		

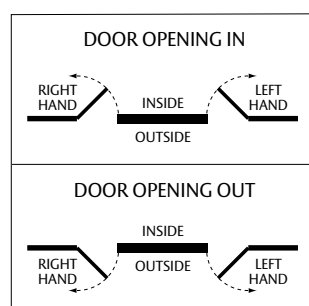
  

Fixing	Electric Lock	Safety Function	Finish
Standard	Electric Lock	Non-monitored Lock (0 Cylinders)	Satin Chrome
		Non-monitored Lock (1 Cylinders)	Chrome Plate
		Non-monitored Lock (1 Cylinder)	Polished Brass
		Non-monitored Lock (2 Cylinders)	
		Fully monitored Lock including KOM (0 Cylinders)	
		Fully monitored Lock including KOM (1 Cylinder)	
		Fully monitored Lock including KOM (2 Cylinders)	

## Ordering Notes

- 3570 primary locks can be set to achieve all lock functions post purchase, and should be the preferred option when ordering.
- Customised locks are available upon request and incur an additional surcharge and 10 day lead time.
- See over page for primary lock part numbers.

## Handing Chart



<b>Backset</b> Nominate backset as required, e.g. 60mm	<b>3</b>
<b>Fixing</b> Select the desired fixing method, e.g. Standard Fixing 35	<b>35</b>
<b>Lock Function</b> Select function, e.g. Vestibule Lock	<b>3572</b>
<b>Electrical Variant</b> Indicate that this is an Electric Lock	<b>3582EL</b>
<b>Safety Function</b> Select whether lock should be Fail Secure or Fail Safe, e.g. Fail Safe	<b>3572ELA</b>
<b>Monitoring and Key Override Options</b> Select monitoring and cylinders to be supplied, e.g. Monitored Lock with two cylinders	<b>3572ELAM2</b>
<b>Handing</b> Determine left or right handing, e.g. Right Handed	<b>3572ELAM2R</b>
<b>Finish</b> Specify appropriate finish, e.g. Satin Chrome	<b>3572ELAM2RSC</b>

# 3570 Series Electric Mortice Lock

## Primary Electric Mortice Lock Ordering Procedure

Part Number	Cylinders	Product Description - Non-Monitored
3570ELN0SC	No Cylinder	Electric Mortice Lock 3570 Primary Lock 60 mm Backset Non Monitored
3570ELN1SC	1 Cylinder	Electric Mortice Lock 3570 Primary Lock 60 mm Backset Non Monitored
3570ELN2SC	2 Cylinders	Electric Mortice Lock 3570 Primary Lock 60 mm Backset Non Monitored
4570ELN0SC	No Cylinder	Electric Mortice Lock 4570 Primary Lock 89mm Backset Non Monitored
4570ELN1SC	1 Cylinder	Electric Mortice Lock 4570 Primary Lock 89 mm Backset Non Monitored
4570ELN2SC	2 Cylinders	Electric Mortice Lock 4570 Primary Lock 89 mm Backset Non Monitored
5570ELN0SC	No Cylinder	Electric Mortice Lock 5570 Primary Lock 127 mm Backset Non Monitored
5570ELN1SC	1 Cylinder	Electric Mortice Lock 5570 Primary Lock 127 mm Backset Non Monitored
5570ELN2SC	2 Cylinders	Electric Mortice Lock 5570 Primary Lock 127 mm Backset Non Monitored
Part Number	Cylinders	Product Description - Non-Monitored (hub, deadlatch, solenoid, door position, key override monitoring all as standard)
3570ELM0SC	No Cylinder	Electric Mortice Lock 3570 Primary Lock 60 mm Backset Monitored
3570ELM1SC	1 Cylinder	Electric Mortice Lock 3570 Primary Lock 60 mm Backset Monitored
3570ELM2SC	2 Cylinders	Electric Mortice Lock 3570 Primary Lock 60 mm Backset Monitored
4570ELM0SC	No Cylinder	Electric Mortice Lock 4570 Primary Lock 89 mm Backset Monitored
4570ELM1SC	1 Cylinder	Electric Mortice Lock 4570 Primary Lock 89 mm Backset Monitored
4570ELM2SC	2 Cylinders	Electric Mortice Lock 4570 Primary Lock 89 mm Backset Monitored
5570ELM0SC	No Cylinder	Electric Mortice Lock 5570 Primary Lock 127 mm Backset Monitored
5570ELM1SC	1 Cylinder	Electric Mortice Lock 5570 Primary Lock 127 mm Backset Monitored
5570ELM2SC	2 Cylinders	Electric Mortice Lock 5570 Primary Lock 127 mm Backset Monitored

## Ordering Notes

- Primary locks can be set post purchase to achieve all desired lock settings e.g. fail safe or fail secure, left hand or right hand, combination lock (locked both sides) or vestibule lock (locked outside and free lever inside)
- All locks are multi-voltage 12-24Vdc
- 3570 primary locks (std 60mm backset) with no cylinder are stocked items. All other items are made to order, 10 day lead time.

# 3570 Series Electric Mortice Lock

## Accessories - Rebate Kits

Part Numbers	"A"	Finish
3570-2905BC 3570-3905BC	32 46	Bright Chrome
3570-2905PB 3570-3905PB	32 46	Polished Brass
3570-2905SC 3570-3905SC	32 46	Satin Stainless Steel

## Accessories - Long Lipped Strikes

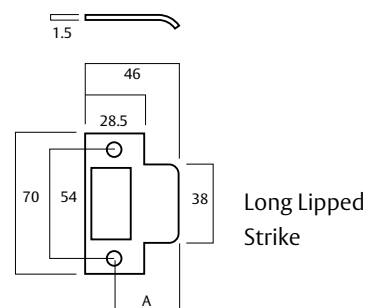
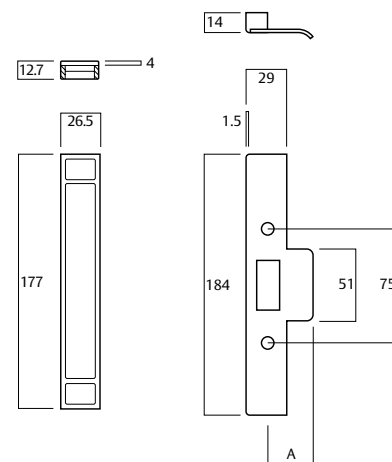
Part Numbers	"A"	Finish
3570-5353CP 3570-5653CP	43.5 47.5	Bright Chrome
3570-5353PB 3570-5653PB	43.5 47.5	Polished Brass
3570-5253SSS 3570-5453SSS	43.5 47.5	Satin Stainless Steel

## Accessories - Ordering Information

Part Numbers	Finish
SP572-3129	LED assembly to suit 3570/3580 (suits furniture for monitored locks)
SP3570-1055	LED assembly to suit 3570/3580 (suits furniture for monitored locks)
SP3570-5861	LED assembly to suit 3570/3580 (suits furniture for monitored locks)
LC8810	323mm Power Transfer Cable
LC8811	543mm Power Transfer Cable

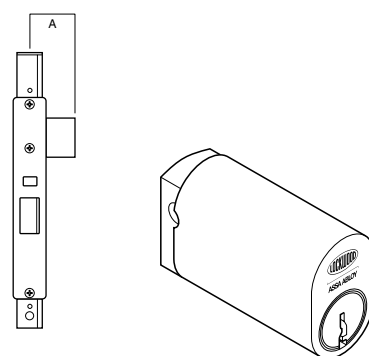
## Accessories - Long Lipped Strikes

"A" Cylinder Projection	Cylinder Length	Recommended Door Thickness
41	37	50 to 60
52	48	60 to 84
64	60	84 to 108
80	76	108 to 132
88	84	132 to 156



## Extended Cylinders

Extended cylinders should be considered when door thickness exceeds 50 mm or when the lock is mounted off centre in the door edge. A range of cylinders is available to suit various door thicknesses. Refer to ASSA ABLOY Australia Keying and Restricted Price List for further information.

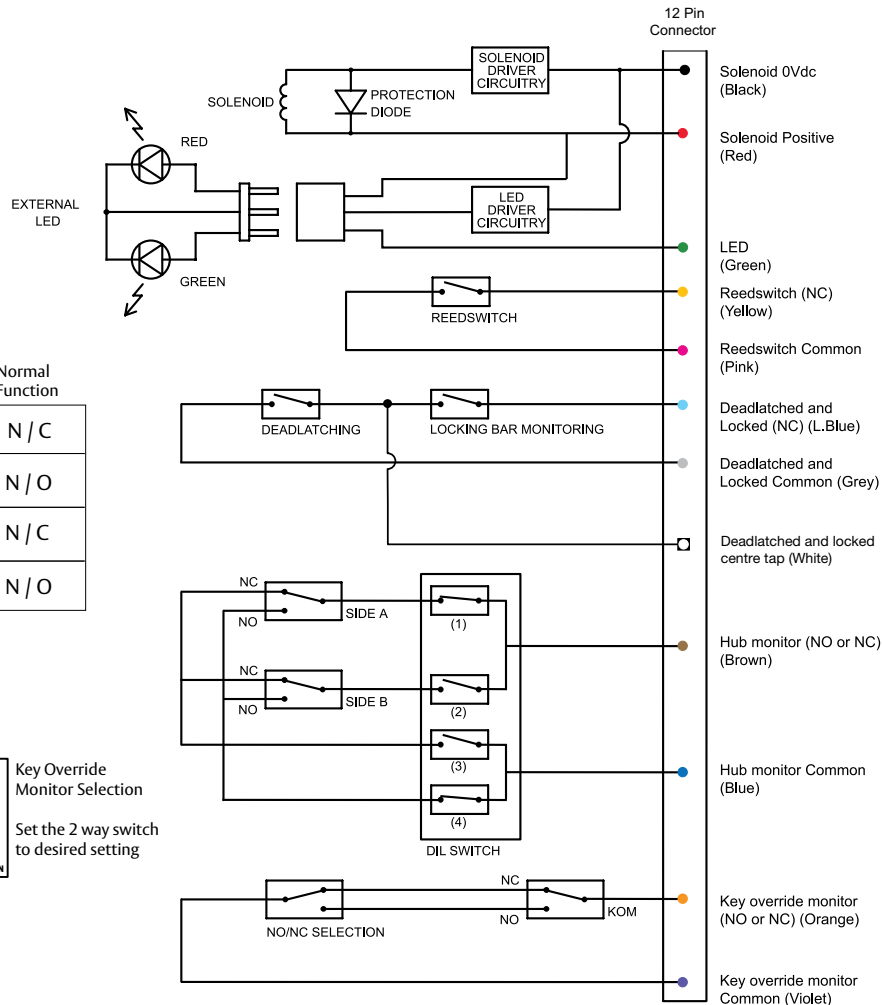


# 3570 Series Electric Mortice Lock

## Electrical Specifications

### Circuit Diagram

**Note:** Diagram depicts fail safe RH opened door, with handle and key in rest state.

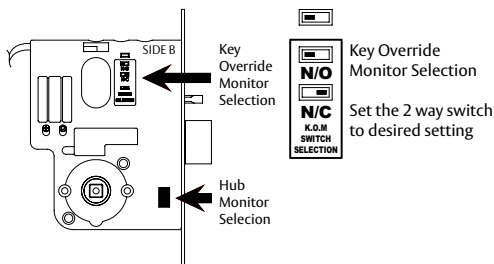


### DIL Switch Settings

#### Hub Monitor

	Switch Number	Lock Side	Normal Function			
	1	2	3	4		
ON	■	■	■	■	A	N / C
OFF	□	□	□	□	A	N / O
ON	■	■	■	■	B	N / C
OFF	□	□	□	□	B	N / O

### Key Override Monitor Selection



## Solenoid Activation

### Operating Voltage:

12 - 24Vdc

### Operating Current:

500mA (max) 80mA holding @ 12Vdc

275mA (max) 50mA holding @ 24Vdc

For confirmation of the above mentioned operating current, please see installation manual

### LED Current

Where LEDs are fitted, add 20mA (max) to total operating current

### Monitoring Circuits

Microswitches: 500mA (max) @ 30Vdc each circuit

Reedswitch: 100mA (max) @ 30Vdc

### Colour

### Function

Black	Solenoid (0Vdc)
Red	Solenoid Positive (12Vdc - 30Vdc)
Green	LED (12Vdc - 30Vdc)
Yellow	Door Closed Reedswitch (NC)
Pink	Door Closed Reedswitch (Common)
Light Blue	Deadlatched and Locked (NC)
Grey	Deadlatched and Locked (Common)
White	Deadlatched and Locked Centre Tap
Brown	Hub Monitor (NO or NC)
Blue	Hub Monitor (Common)
Orange	Key Override Monitor (NO or NC)
Violet	Key Override Monitor (Common)



# 3579 Series Electric Mortice Lock





Designed and manufactured in Australia, the 3579 series electric mortice is a high performance lock of superior quality. It is constructed from high grade zinc alloy secured between stainless plates making suitable for high security applications.

The 3579 lock can be operated by push buttons, intercom systems and key switches; or integrated with electronic access control systems for use with higher security devices such as keypads or card readers.

## Product Details

<b>Voltage</b>	12Vdc - 24Vdc Operating Voltage
<b>Current</b>	500mA (max) 80mA holding @ 12Vdc 275mA (max) 50mA holding @ 24Vdc
<b>LED Current</b>	When LED's are fitted, add 15mA (max) to total current draw
<b>Monitoring</b>	Dual Key override Deadlatched Locked Door closed Request to exit Microswitches: 500mA (max) @ 30Vdc each circuit Reedswitch: 100mA (max) @ 30Vdc
<b>Environment</b>	Operational temperature range -20c to +60c
<b>Case/Cover</b>	High purity Zinc alloy construction with Stainless Steel plates
<b>Backset</b>	60mm standard, 89 & 127mm available
<b>Latch Bolts</b>	Reversible with Stainless Steel construction
<b>Door Clearance</b>	3 - 6.5mm
<b>Door Thickness</b>	Standard applications 32 to 50mm
<b>Cylinder</b>	Standard Lockwood oval shaped cylinders
<b>Cabling</b>	1.6 metre length of cable with 12 pin socket supplied with each lock. Recommended cable: 18AWG (0.82mm <sup>2</sup> ) cable runs up to 30m
<b>Furniture</b>	Compatible with Lockwood series door furniture
<b>Standard Finishes</b>	Satin Chrome (SC) standard and Bright Chrome (CP)

## Standards and Compliance

<b>SL8</b>	Australian Lock Standard (AS4145.2.1993) (when used with equivalent security level keying system)
<b>D8</b>	(Durability) Australian Lock Standard (AS4145.2.1993)
	Successfully fire rated up to 4hrs on fire door assemblies in accordance with AS1905.1.2005 (Part 1: Fire resistant door sets)
	C-Tick Certified
	SCEC endorsed for secure areas

# 3579 Series Electric Mortice Lock

## Key Features

Designed with flexibility in mind, the one lock can cover all functions and is easily configured on site for the required application.

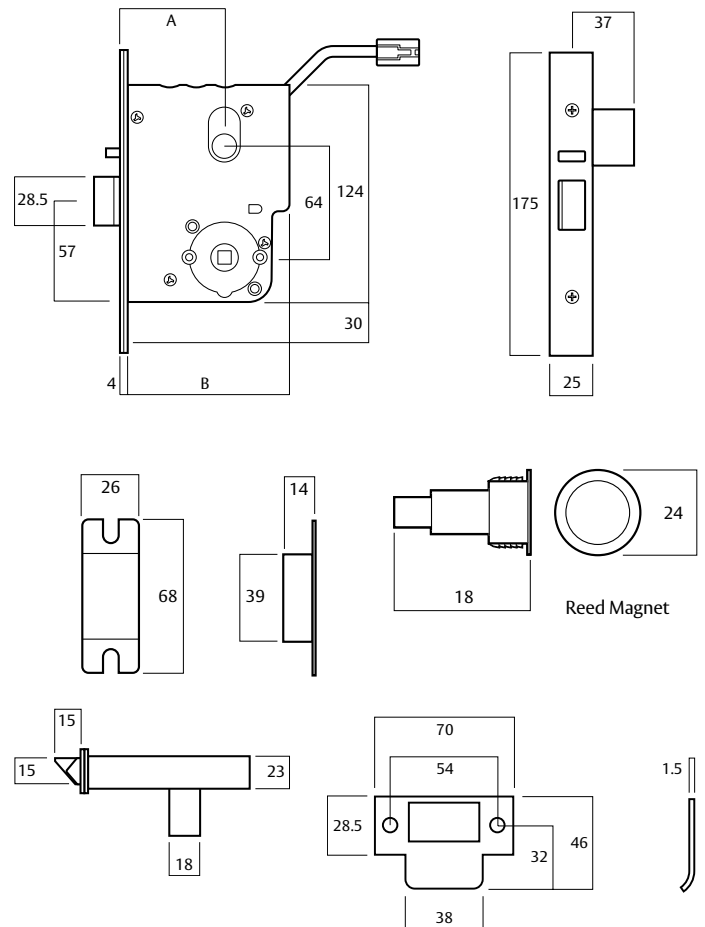
- Stainless Steel Latch and Faceplate
- Stainless steel plates that encapsulate the body against attempted vandalism
- Available in Monitored versions only

## Monitoring Features

- Dead latched and Locked
- Door position/Reed switch
- Dual key override monitoring
- Request to exit/REX
- LED indication

## Field Changeable Settings

- Fail safe/fail secure configuration.
- Multi-voltage - will work on 12-24 Vdc systems.
- Handing - left hand and right hand doors
- Selection of free lever or locked lever on both sides of the door
- Key override monitoring either side of the door
- Monitoring contacts – normally closed, normally open (for key override and request to exit only)



## 3579 Series Electric Mortice Lock Ordering Procedure

Part Number	Product Description
3579ELM0SC	Electric Mortice Lock 3579 Primary Lock 60 mm Mon
4579ELM0SC	Electric Mortice Lock 3570 Primary Lock 89 mm Mon
5579ELM0SC	Electric Mortice Lock 3570 Primary Lock 127 mm Mon

## Specification Statement

The lock body should be encapsulated with stainless steel. The lock should be capable of operation on voltages between 12 – 24Vdc and have a current consumption not more than 80mA (holding) @12Vdc and 50mA (holding) @24Vdc. Monitored locks must be capable of monitoring the following functions: Key override, door position / reed switch, selectable hub / Request to exit, & locking bar status. All monitoring outputs must have the ability to be wired independently. All settings – including: fail safe / fail secure, handing, hub selection must be field configurable.

# 3579HS Series Electric Mortice Lock





Designed and manufactured in Australia, the 3579HS series electric mortice is designed for unique applications where fail secure functionality is required externally with fail safe functionality on the inside. To achieve this function the lock must be used in conjunction with an electric strike.

The 3579HS is constructed from the same material as the 3579 counterpart.

## Product Details

<b>Voltage</b>	12Vdc - 24Vdc Operating Voltage
<b>Current</b>	500mA (max) 80mA holding @ 12Vdc 275mA (max) 50mA holding @ 24Vdc
<b>LED Current</b>	When LED's are fitted, add 15mA (max) to total current draw
<b>Monitoring</b>	Dual Key override Deadlatched Locked Door closed Request to exit Microswitches: 500mA (max) @ 30Vdc each circuit Reedswitch: 100mA (max) @ 30Vdc
<b>Environment</b>	Operational temperature range -20c to +60c
<b>Case/Cover</b>	High purity Zinc alloy construction with Stainless Steel plates
<b>Backset</b>	60mm standard, 89 & 127mm available
<b>Latch Bolts</b>	Reversible with Stainless Steel construction
<b>Door Clearance</b>	3 - 6.5mm
<b>Door Thickness</b>	Standard applications 32 to 50mm
<b>Cylinder</b>	Standard Lockwood oval shaped cylinders
<b>Cabling</b>	1.6 metre length of cable with 12 pin socket supplied with each lock. Recommended cable: 18AWG (0.82mm <sup>2</sup> ) cable runs up to 30m
<b>Furniture</b>	Compatible with Lockwood series door furniture
<b>Standard Finishes</b>	Satin Chrome (SC) standard and Bright Chrome (CP)

## Standards and Compliance

<b>SL8</b>	Australian Lock Standard (AS4145.2.1993) (when used with equivalent security level keying system)
<b>D8</b>	(Durability) Australian Lock Standard (AS4145.2.1993)
	Successfully fire rated up to 4hrs on fire door assemblies in accordance with AS1905.1.2005 (Part 1: Fire resistant door sets)
	C-Tick Certified
	SCEC endorsed for secure areas

# 3579HS Series Electric Mortice Lock

## Key Features

Designed with flexibility in mind, the one lock can cover all functions and is easily configured on site for the required application.

- Stainless Steel Latch and Faceplate
- Stainless steel plates that encapsulate the body against attempted vandalism
- Available in Monitored versions only

## Monitoring Features

- Dead latched and Locked
- Door position/Reed switch
- Dual key override monitoring
- Request to exit/REX
- LED indication

## Field Changeable Settings

- Fail safe/fail secure configuration.
- Multi-voltage - will work on 12-24 Vdc systems
- Handing - left hand and right hand doors
- Selection of free lever or locked lever on both sides of the door
- Key override monitoring either side of the door
- Monitoring contacts – normally closed, normally closed

**Note:** this lock is designed to operate in conjunction with an electric strike. The lock will never unlock electrically from the external side.

## Lock Functions

The 3579HS series lock is designed to provide internal emergency egress on doors whereby the door remains secure on the outside in the event of a fire alarm or break glass event.

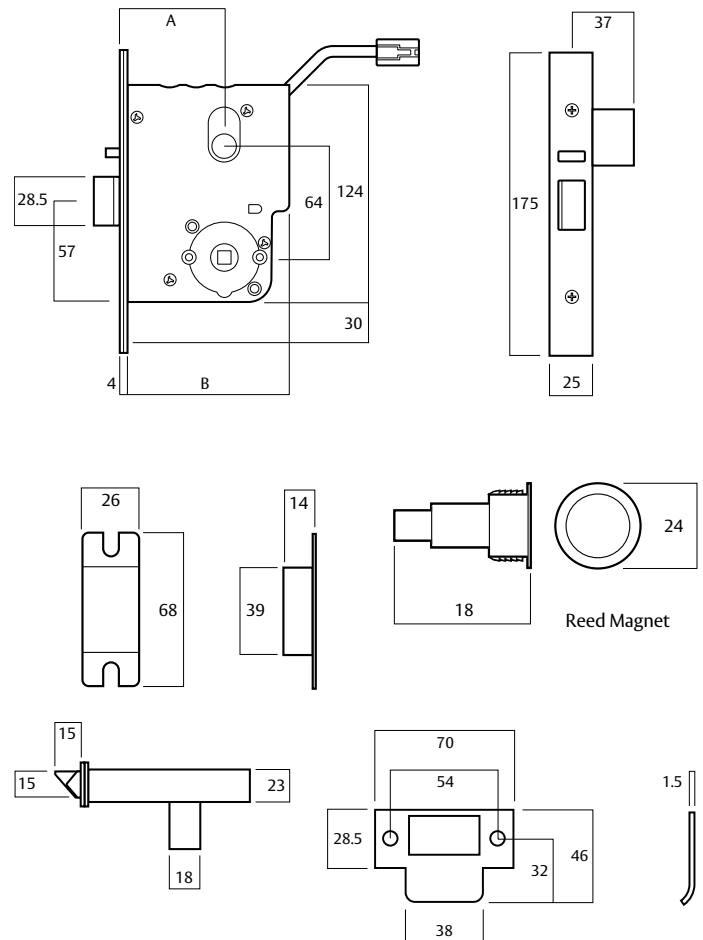
A typical door set up would include the following hardware:

- Proximity readers on both sides of the door to gain access either way
- 3579HS Electric Mortice Lock set to fail safe inside. Note the lock remains in the locked state (externally) 100% of the time if power is applied or not.
- Electric strike set to fail secure
- Break glass or Fire Panel connected to the mortice lock only

To enter or exit the door the user would swipe a proximity card to the reader. Upon authorisation from the EAC panel the electric strike would unlock, allowing the user to open the door. The electric mortice lock does not change state.

In the event of an emergency (fire alarm or break glass activation), power is cut to the electric mortice lock & places it in a fail safe mode on the internal side only. The mortice lock remains in a fail secure state on the external side.

**Note:** The 3579HS Series lock can never be electrically unlocked from the outside. A secondary locking device (electric strike) must be used in conjunction with this lock.



## 3579 Series Electric Mortice Lock Ordering Procedure

Part Number	Product Description
3579HSELM0SC	High Security Elec Mortice 3579HS Primary Lock 60 mm
4579HSELM0SC	High Security Elec Mortice 3579HS Primary Lock 89 mm
5579HSELM0SC	High Security Elec Mortice 3579HS Primary Lock 127 mm

## Specification Statement

The lock body should be encapsulated with stainless steel. The lock should be capable of operation on voltages between 12 – 24Vdc and have a current consumption not more than 80mA (holding) @12Vdc and 50mA (holding) @24Vdc. Monitored locks must be capable of monitoring the following functions: Key override, door position / reed switch, selectable hub / Request to exit, & locking bar status. All monitoring outputs must have the ability to be wired independently. All settings – including: fail safe / fail secure, handing, hub selection must be field configurable. The lock must be capable of operating in fail safe mode internally and fail secure mode externally when used in conjunction with an electric strike.

# Hi-O Room Guard Locking System



The Room Guard Locking System is based on state of the art Hi-O technology platform developed by ASSA ABLOY.

Bringing a new dimension to electronic locking systems as we know them today, the Hi-O platform has enabled this unique product offering that is designed for ease of use and simplified installation.

The system provides electronic lock control of multiple doors for any room requiring privacy by the occupants. The most common applications are shared bathrooms in hospitals and conference rooms with dual entries. The intelligence is embedded in the locking devices themselves, resulting in a plug and play system without the need for a door controller to lock and unlock the door; therefore extremely easy to install and cost effective.

## Key Features

- One touch privacy
- All components supplied in one neat kit
- Plug and Play connectivity
- No requirement for external door controller or EAC system
- Fast, accurate and cost effective installation

## Applications

- Shared bathrooms
- Conference rooms
- Laboratories

## Function

### Locking the door

- Enter either door and close door
- Activate internal turn knob
- Both doors automatically lock - outside
- External handles indicate red (locked)

### To unlock/exit

- Activate internal lever on either door
- Both doors automatically unlock
- External handles indicate green (unlocked)

**Note:** In the event of an emergency, the doors may be unlocked externally via emergency override switches if fitted.

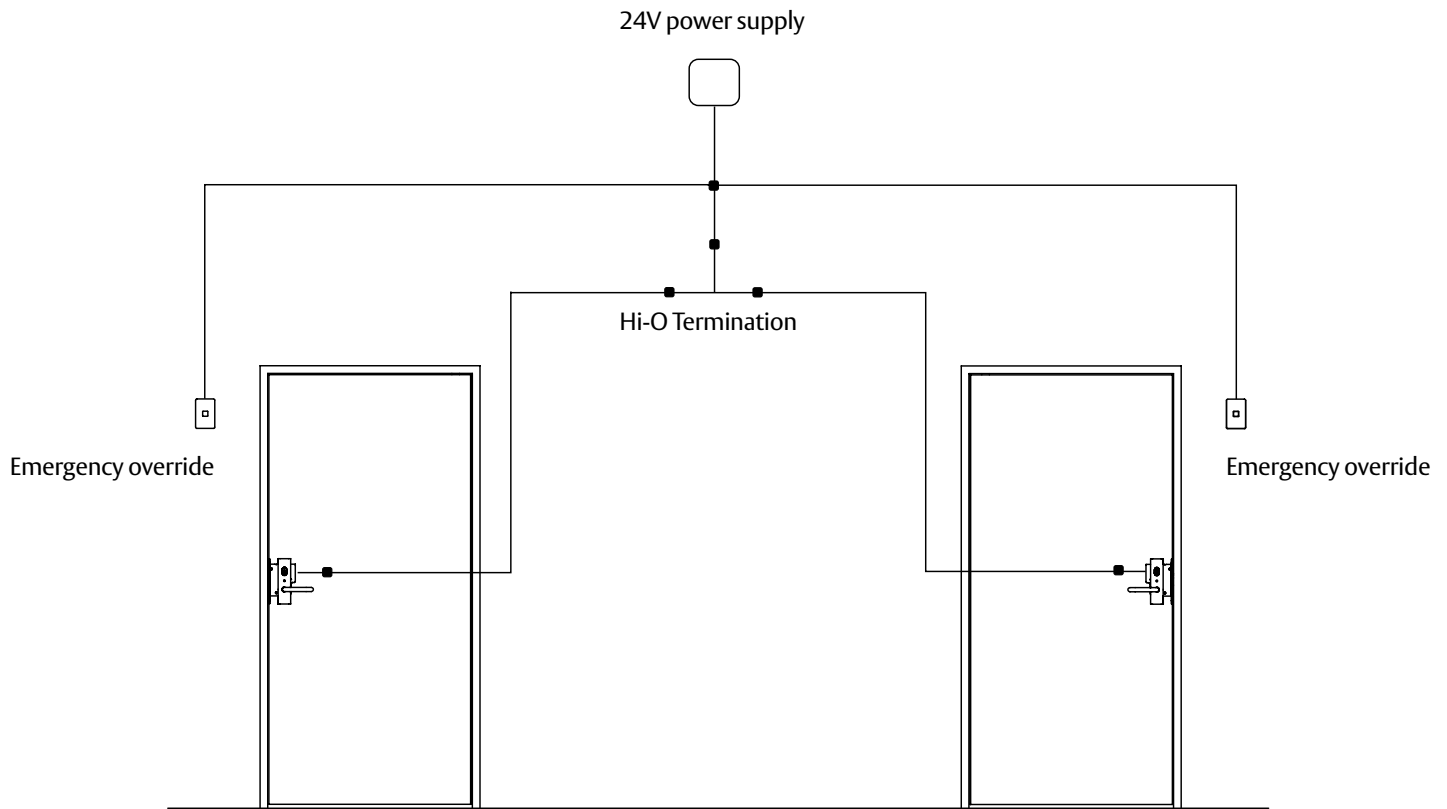
## Standards and Compliance



Successfully fire rated up to 4 hours on fire door assemblies in accordance with AS1905.1. 2007

# Hi-O Room Guard Locking System

## Two Door Installation Layout



### Installation Overview

The Room Guard Locking System does not require an external door controller to lock or unlock the door. The electric mortice locks are simply plugged together, connected to the emergency override switches and then plugged into the power supply.

**Note:** The use of emergency override switches may not be required. In that case, the power supply is connected directly to mortice locks.

# Hi-O Room Guard Locking System

## Ordering Information

Part Number	Product Description
3570ELHRG0SC	Hi-O Room Guard Mortice Lock
EA280	Power Transfer
RG3SC	Room Guard Turn Knob Assembly
HPS-24VDC	24Vdc Power supply unit
HLM-004	4 Way Adaptor
HLM-018	Override Switch Wire – 15M
HLM-008	8M Extension Cable
HLM-011	Terminal Strip Adaptor (PAIR)
HLM-012	Hi-O Termination Socket
HPM-SW1	Emergency Switch
HPM-FP1	Faceplate for Emergency Switch

## Room Guard Kit - Contents

Contents	Qty
Hi-O Room Guard Mortice Lock	2
Power Transfer	2
Room Guard Turn Knob Assembly	2
24Vdc Power supply unit	1
4 Way Adaptor	1
Override Switch Wire – 15M	2
8M Extension Cable	2
Terminal Strip Adaptor (PAIR)	1
Hi-O Termination Socket	1
Emergency Switch	2
Faceplate for Emergency Switch	2

## Accessories Ordering Information

Part Number	Product Description
3570HRGKIT	Room Guard Kit – 2 doors
1822/70SC	Exterior door furniture with LED
1920/70SC	Interior door furniture

### Ordering Information

The Room Guard Kit contains all necessary components and power supply to install a two door system. The door furniture must be ordered separately.

1. Order Room Guard two door kit
2. Order door furniture for two doors

### Additional Information

- For alternative door furniture options and finishes, refer to Lockwood Product Catalogue Section 3.70 – Plate Door Furniture
- Locks are designed to work in fail safe mode
- Locks are non handed and can be configured on site

# 3580 Series Electric Mortice Lock



Designed and manufactured in Australia, the 3580 Series Electric Mortice Lock is a high performance lock of superior quality. It is constructed from high grade zinc alloy, with a stainless steel latch bolt and face plate and is suited for all commercial applications.

The lock can be operated by push buttons, intercom systems and key switches or integrated with electronic access control systems for use with higher security devices such as keypads or card readers.

The 3580 Series is available in a wide variety of configurations to suit varying requirements and is especially suited to narrow style or short backset applications.

## Key Features

Available in non monitored and monitored versions.

### Monitoring features:

- Dead latched
- Door position/reed switch
- Key override
- Request to exit/REX

### Available configurations:

- Fail safe or fail secure
- 12Vdc or 24Vdc
- Field changeable monitoring contacts – normally closed, normally open
- Field changeable handing – left hand and right hand doors
- Selection of free lever or locked lever on both sides of the door
- Key override monitoring
- LED indication

### Standards and Compliance

**S2** (Security) Australian Lock Standard (AS4145.2.1993)

**D3** (Durability) Australian Lock Standard (AS4145.2.1993)

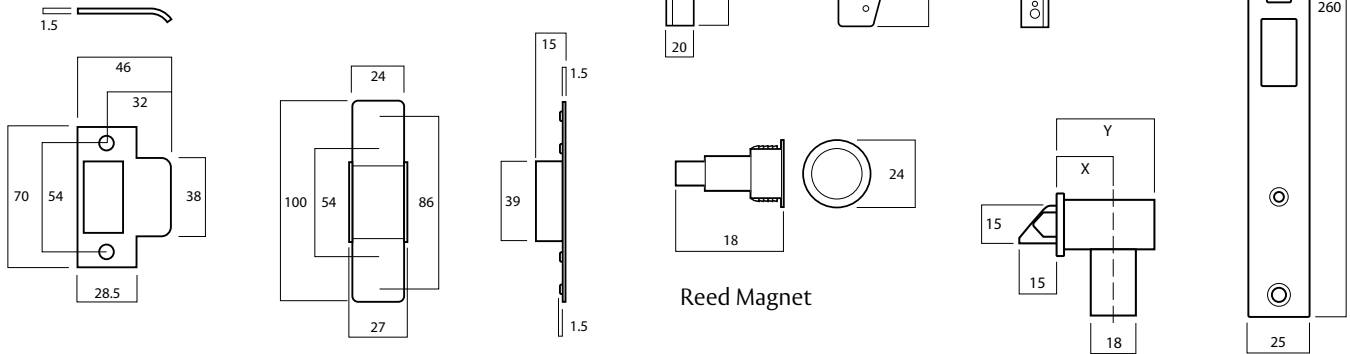
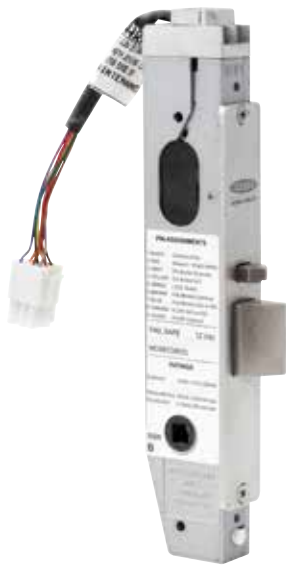
 C-Tick Certified

### Product Details

<b>Voltage</b>	Available in 12Vdc - 24Vdc
<b>Current</b>	12Vdc $\pm$ 5% 250mA (max) 24Vdc $\pm$ 5% 125mA (max)
<b>LED Current</b>	When LEDs are fitted, add 15mA (max) to total current draw
<b>Monitoring</b>	Key override Deadlatched and door closed Request to exit Hub/deadlatch/key override monitor: max ratings 500mA @ 30Vdc Door status monitor: max ratings 3W, 250mA (max) @ 12Vdc, 125mA (max) @ 24Vdc
<b>Environment</b>	Operational temperature range -20°C to +60°C
<b>Case/Cover</b>	High purity zinc alloy construction
<b>Backset</b>	23mm standard, 25.4, 30 and 38 mm extended available
<b>Latch bolts</b>	15mm stainless steel construction
<b>Door Clearance</b>	3 - 6.5 mm
<b>Door thickness</b>	Standard applications 32 to 50mm Extension kits available
<b>Cylinder</b>	Standard Lockwood oval shaped cylinders 3.6 metre length of cable with 9 pin socket supplied with each lock
<b>Cabling</b>	Recommended cabling: 18AWG (0.82mm <sup>2</sup> ) cable runs up to 30m
<b>Furniture</b>	Compatible with Lockwood series door furniture
<b>Finishes</b>	Satin Chrome ( <b>SC</b> ) standard, Bright Chrome ( <b>CP</b> ) and Polished Brass ( <b>PB</b> )



# 3580 Series Electric Mortice Lock



Reed Magnet

## Limiting Dimensions

### Dimensions Backset

	X	23	25.4	30	38
Y		36.4	39	43.6	51.7

## Specification Statement

The lock should be capable of operation on voltages of 12 or 24Vdc and have a current consumption not more than 250mA (max) @12Vdc and 125mA (max) @24Vdc. Monitored locks must be capable of monitoring the following functions: key override, door position/reed switch and independent hub/request to exit. All monitoring outputs must have the ability to be wired independently. The lock must be capable of operating fail safe or fail secure, left or right hand and have field configured hub selection.

# 3580 Series Electric Mortice Lock

## Ordering Procedure

Sample part number 3582ELAM2RSC62 is made up of several sections.  
Choose your product by selecting an option from each section.

Backset	Door Material	Lock Function	New Product	Safety Function	Sub Function	Handing	Finish
3	58	2	EL	A	M2	R	SC

Backset	
23 mm	3
25.4 mm	4
30 mm	5
38 mm	6

Lock Function	
Vestibule Lock	2
Combination Lock	4
<b>Lever/Knob</b>	
EL	

Safety Function	
Fail Safe (Power to lock)	A
Fail Secure (Power to unlock)	E

Handing	
Right Handed	R
Left Handed	L

## Options

Door Material	
Metal	58
Timber	59

Sub Function	
Non-Monitored Lock (0 Cylinders)	N0
Non-Monitored Lock (1 Cylinder)	N1
Non-Monitored Lock (2 Cylinders)	N2
Monitored Lock (0 Cylinders)	M0
Monitored Lock (1 Cylinder)	M1
Monitored Lock (2 Cylinders)	M2
Monitored Lock including KOM (0 Cylinder)	M4
Monitored Lock including KOM (1 Cylinder)	M5
KOM (Key override monitoring)	

Finish	
Bright Chrome	CP
Polished Brass	PB
Satin Chrome	SC

<b>Backset</b> Nominate backset as required, e.g. 23mm	3
<b>Door Material</b> Nominate door material, e.g. Metal	358
<b>Lock Function</b> Select function, e.g. Vestibule Lock	3582
<b>Electrical Variant</b> Indicate that this is an Electric Lock	3582EL
<b>Safety Function</b> Select whether lock should be Fail Secure or Fail Safe, e.g. Fail Safe	3582ELA
<b>Monitoring and Key Override Options</b> Select monitoring and cylinders to be supplied, e.g. Monitored Lock with two cylinders	3582ELAM2
<b>Handing</b> Determine left or right handing, e.g. Right Handed	35782ELAM2R
<b>Finish</b> Specify appropriate finish, e.g. Satin Chrome	35782ELAM2RSC
<b>Options</b> Specify 24Vdc option when required	3582ELAM2RSC62

## Accessories Ordering Information

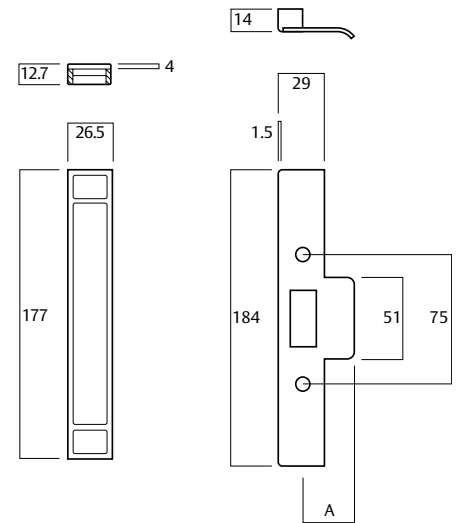
Part Number	Product Description
3580-2902AC##	Anti-Clockwise Rebate Kit with finish code (SC, CP, PB) Replace ##
35802902CW##	Clockwise Rebate Kit Replace ## with finish code (SC, CP, PB)
SP572-3129	LED Assembly to suit 3570/3580
SP3580-1052	7.5m extended 9 wire cable

# 3580 Series Electric Mortice Lock

## Accessories

Finish	Anti-clockwise	Clockwise
Satin Chrome	3580-2902ACWSC	3580-2902CWSC
Bright Chrome	3580-2902ACWCP	3580-2902CWCP
Polished Brass	3580-2902ACWPB	3580-2902CWPB

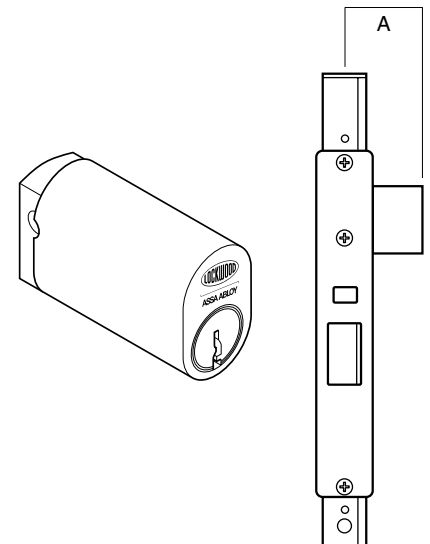
Rebate kits to suit 13 mm rebated timber doors with a minimum backset of 30 mm include an adaptor to mount the lock and a special strike plate. Handing of the rebate kits is determined by the opening movement of the door on which the lock is fitted.



## Extended Cylinders

"A" Cylinder Projection	Cylinder Length	Recommended Door Thickness
41	37	50 to 60
52	48	60 to 48
64	60	84 to 108
80	76	108 to 132
88	84	132 to 156

Extended cylinders should be considered when door thickness exceeds 50 mm or when the lock is mounted off centre in the door edge. A range of cylinders is available to suit various door thicknesses. Refer to ASSA ABLOY Australia Keying and Restricted Price List for further information.

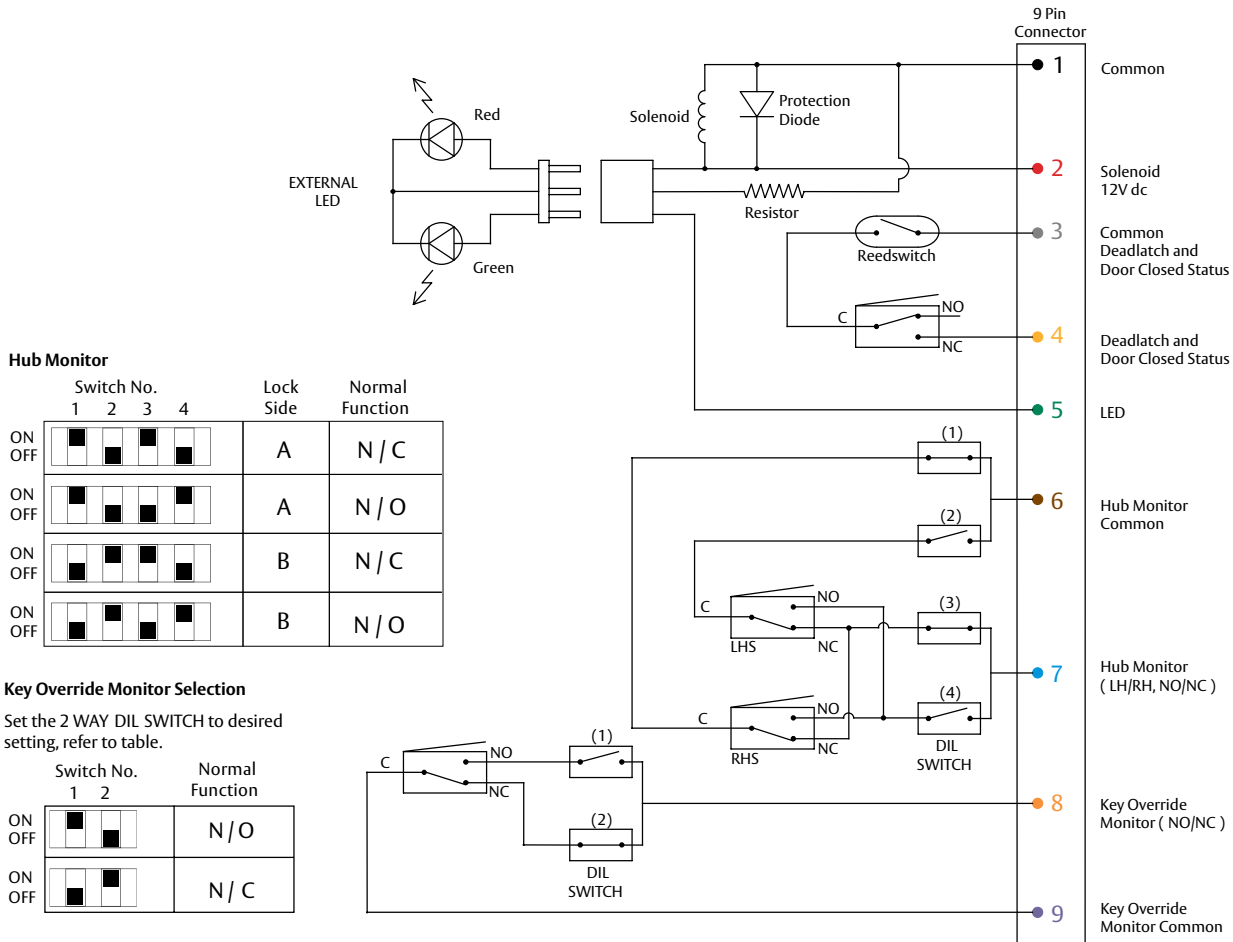


# 3580 Series Electric Mortice Lock

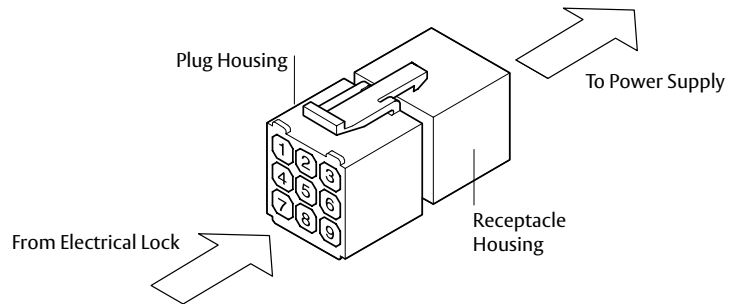
## Electrical Specifications

### Circuit Diagram

**Note:** Diagram depicts fail safe 12V RH opened door, with handle and key in rest state.



Pin	Colour	Function
1	Black	Common (0Vdc)
2	Red	Solenoid (12Vdc or 24Vdc)
3	Grey	Deadlatch and Door Closed Status (common)
4	Yellow	Deadlatch and Door Closed Status
5	Green	LED
6	Brown	Hub Monitor (common)
7	Blue	Hub Monitor (RH/LH, NO/NC)
8	Orange	Key Override Monitor (NO/NC)
9	Violet	Key Override Monitor (common)



# Power Transfer Lead Covers



The LC8810 and LC8811 Power Transfer Lead Covers are designed to ensure unbroken transfer of wires between door and frame in electric locking situations.

## Features

- Provides unbroken connection from controller to lock, for cable up to 8 mm diameter
- Vandal-resistant chrome plated flexible steel
- Completely concealed when the door is closed

## Applications

### LC8810

The LC8810 is a shorter unit suitable for hinged doors which open to 90° (maximum of 120°).

### LC8811

The LC8811 is designed for use on doors which open more than 120°, or have a gap from pin hinge to door frame of more than 20 mm.

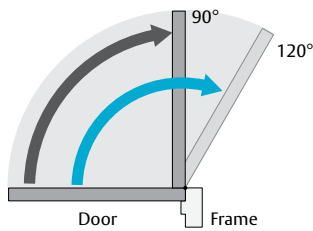
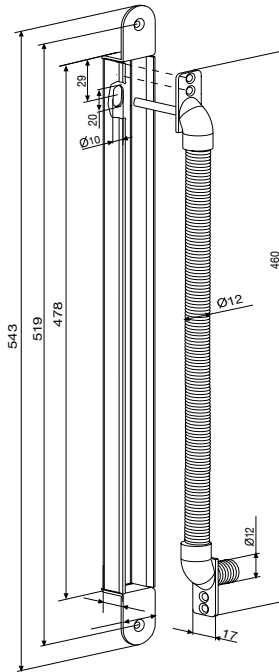
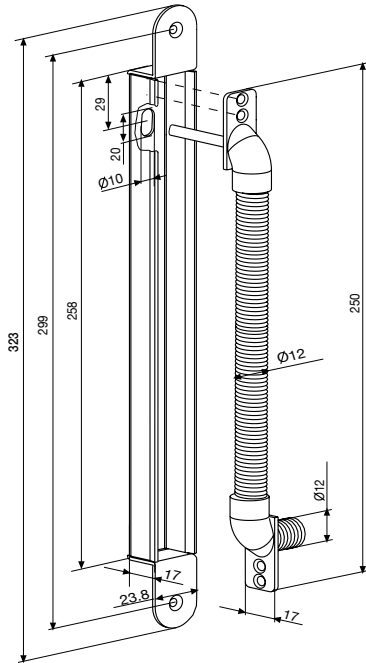
**Note:** Not suitable for centrally pivoted doors.

## Standards and Compliance



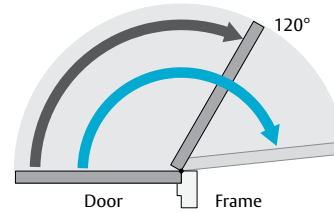
Successfully fire rated up to 4 hours on fire door assemblies in accordance with AS1905.1.2005 (Part 1: Fire Resistant Doorsets)

# Power Transfer Lead Covers



LC8810

The LC8810 is a shorter unit suitable for hinged doors which open to 90° (maximum of 120°).



LC8811

The LC8811 is designed for use on doors which open more than 120°, or have a gap from pin hinge to door frame of more than 20 mm.

**Note:** Not suitable for centrally pivoted doors.

## Ordering Information

Part Number	Product Description
LC8810	323mm Power Transfer Cable
LC8811	543mm Power Transfer Cable



**ASSA ABLOY**

**Lockwood** is the leading brand in the Australian locking industry. With an established reputation for high quality products, this iconic brand provides a wide range of locking solutions to residential housing, commercial building and industrial application markets. Lockwood is supported by an extensive distribution and after-sales support network. Our customers include retailers, architects, trade and industrial personnel, locksmiths and security dealers.

**ASSA ABLOY** is the global leader in door opening solutions, dedicated to satisfying end-user needs for security, safety and convenience.

**ASSA ABLOY** is represented in all major regions, in both mature and emerging markets, with leading positions in Australia, Europe and North America.

**25YEAR  
MECHANICAL  
WARRANTY**

### **The Lockwood 25 Year Mechanical Warranty**

Our belief that we manufacture the finest premium products available in today's market place is backed by the Lockwood 25 Year Mechanical Warranty, ensuring that Lockwood continues to keep Australians safe by delivering security and peace of mind.

For warranty terms and conditions, please visit [www.lockweb.com.au](http://www.lockweb.com.au) or call **1300WARRANTY**

**ASSA ABLOY Australia Pty Ltd**  
235 Huntingdale Road  
Oakleigh, Victoria, 3166  
Australia

**1300 LOCK UP (1300 562 587)**  
[lockweb.com.au](http://lockweb.com.au)

**ASSA ABLOY New Zealand Ltd**  
6 Armstrong Road  
Albany, Auckland, 0632  
New Zealand

**[info.nz@assaabloy.com](mailto:info.nz@assaabloy.com)**  
**Telephone +64 9415 7111**  
**[assaabloy.co.nz](http://assaabloy.co.nz)**

