



For Home



For Rental Apartment



For Hotel

Description

This 4 in 1 digital lock has a dead bolt latch. A stylish lock with a Bluetooth App, pin code, RFID card and manual key to provide quick and convenient access.

Specifications

- Unlocking methods: Bluetooth App, RFID Card, Pass code, Wristband, fingerprint or Key
- App name: TT lock
- Material: Aluminium Alloy
- Colour: Black, Silver
- Panel size: L 137(mm) W 60(mm)
- Communication mode: Bluetooth 4.0 above
- Support system: Android 4.4 /IOS 7.0 above
- Power supply: DC6V, 4pcs alkaline battery
- Battery life: 10,000 times normal open (12 months)
- Static current: 30Ua
- Dynamic current: <200Ma
- Unlock time: 1-1.5 seconds



System Specifications

Connectivity	Bluetooth 4.0, Wi-Fi (Wi-Fi Bridge required)	Case Material	Aluminium Alloy
Identification Mode	TTLock App, Card (Mifare 13.56 MHz), Code, fingerprint and Bluetooth	IP Rating	(IP64 External lock Housing) (IP54 Internal Lock Housing)
User Capacity	250	Finish	Satin Nickel or Black
Identification Time	Instant recognition under 0.3 seconds	Warranty	Refer to McGrath locks Warranty form
Code	User-defined 6-8 digit	Dead Latch	60mm,70mm
Keypad Backlight	Yes	Working Humidity	10%~95%
Temporary Code or Ekey	Yes	WiFi Gateway	Available(Optional)
Compatible Smartphone	iOS7.0 or above, Android 4.4 or above	Unlock time	1-1.5 seconds
Remote Access	Yes, Wi-Fi Gateway	Dynamic current	<200mA
Mechanical Key Override	Yes	Static current	60uA
Micro-USB Backup Power Interface	Yes	Card Capacity	100
Working Voltage	6 V (4 X Alkaline AAA Batteries)	Pin code Capacity	150
Working Temperature	-40°C~70°C	Fingerprint Capacity	Unlimited
Battery Life	Up to 12 months (10,000 times access)	Bluetooth capacity	Unlimited
Compatible Smart Home Eco-system	Alexa and Google Assistant (Wi-Fi Gateway is required)		
Door Thickness	35 - 45 mm		



INFORMATION AND SAFTY WARNINGS :

1.1 Introduction:

This user manual will guide you through the functions and usages of our MLM818 Bluetooth enabled smart lock. It is important that you follow the instructions and regard all notes that appear throughout this manual. Consult this manual before you attempt to use the lock. If you have questions not answered by this manual or are in need of non-routine service, contact our customer service (Phone Number)

1.2 Safety Warnings:

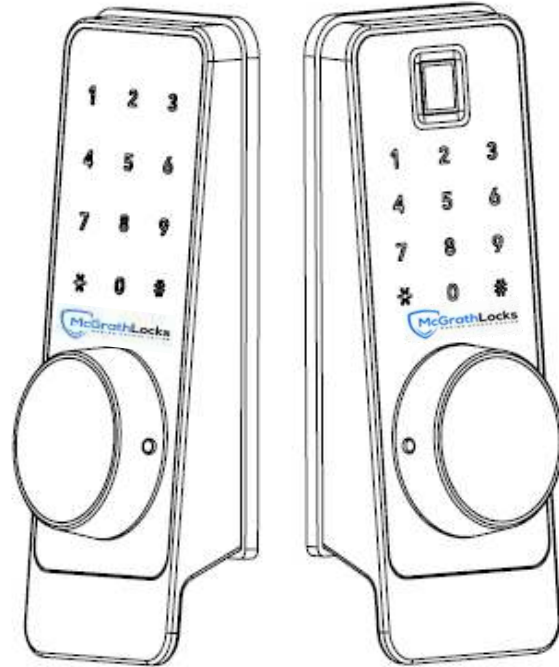


When reading this manual, note these icons: notes with this icon MUST be read, understood and obeyed to prevent injury or damage.



General Usage:

- This lock shall only be used as described in this manual.
- Verify that all parts of the lock are account for. If any parts are missing, contact our customer service.
- In factory default status, the lock is on always open state after you install the lock (no power on). It means handle is free and lock can't be closed, you have to power on the lock with batteries or set admin and pair the lock with app and then the open mode will be changed to private mode automatically.
- Handle directions are reversible, please kindly follow chapter 4 (installation steps3) to change the direction. Should you have any problem, please contact our customer service.
- There is a protective film on the front touch panel, if there are some scratches on the film, don't be scared. The protective film can be removed if you need.
- Use only four AA batteries. Do not mix old and new batteries or batteries from different brands. Never insert objects into the lock other than batteries as described in this manual.
- Verify all surfaces are flat and level before beginning installation, installation on doors or surface with any types of deformity such as gaps or warping may cause the lock to malfunction or fail to operate entirely.
- Never apply any cleaner directly to any part of the lock. Only use clean water and mild cleaner on a soft non-abrasive cloth when cleaning.
- Potential shock warning: do not allow water or liquids to get into lock's electric parts.
- The lock must be used with TT lock app. The lock will function without the app but full functionality may only be achieved when the app is used.



Scan to download TT lock



IC Card



Passcode



Key



APP

APP

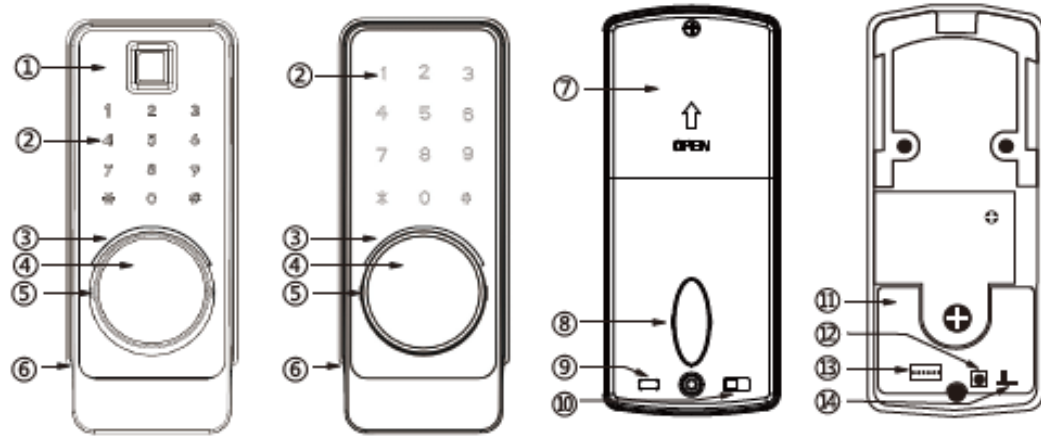


Fingerprint



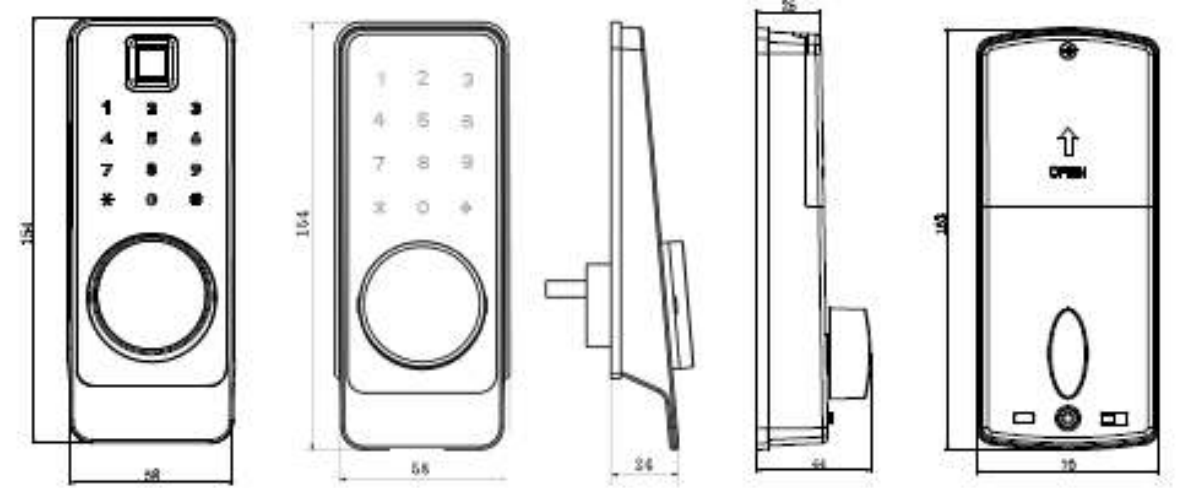
Wristband

Product Structure

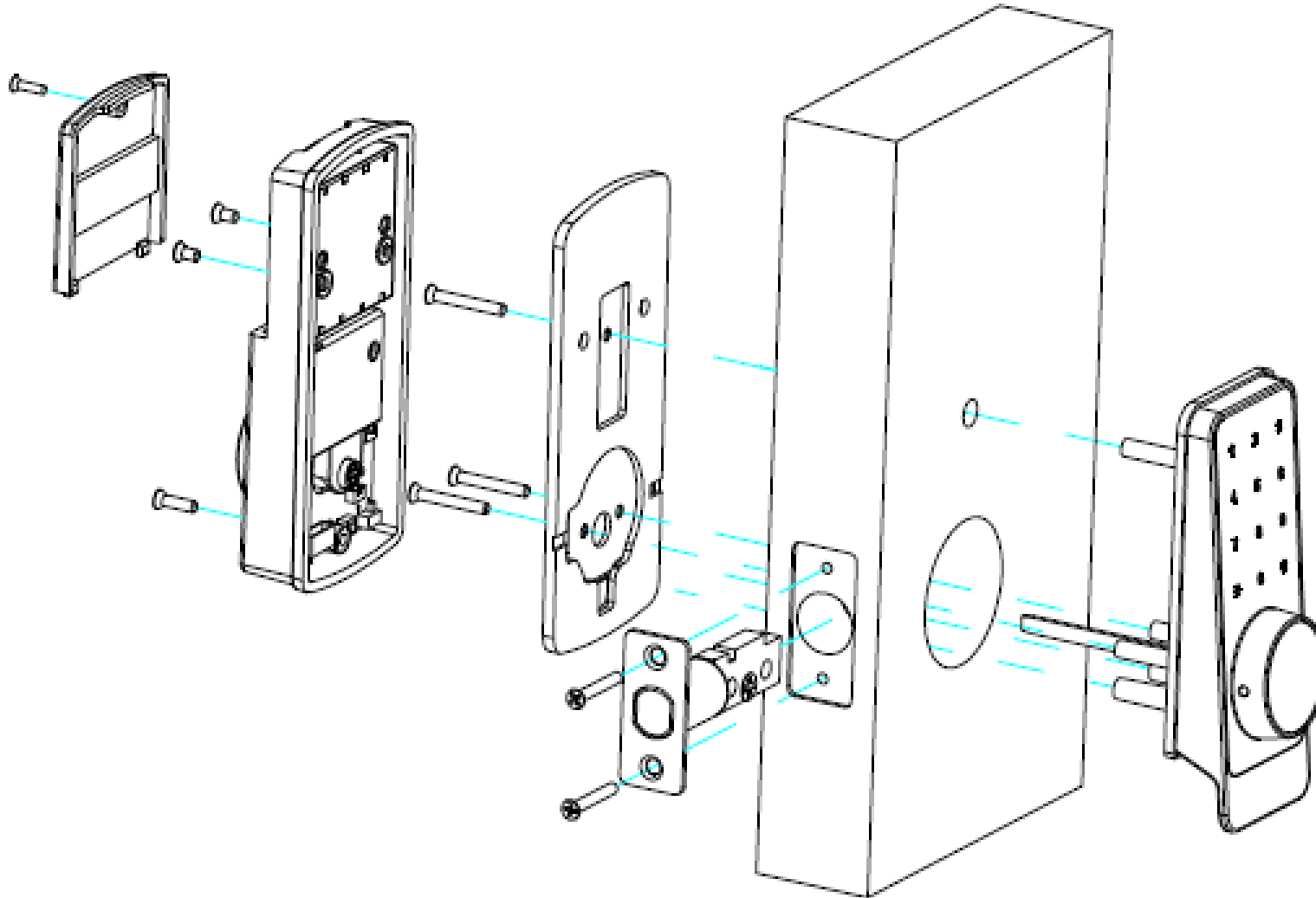


- | | |
|--------------------|----------------------------------|
| ① Reader | ⑧ Knob |
| ② Touch keyboard | ⑨ Button for locking & unlocking |
| ③ Indicator light | ⑩ Security switch |
| ④ Cylinder cover | ⑪ Rear PC board |
| ⑤ Pin | ⑫ Reset button |
| ⑥ USB port(inside) | ⑬ Socket |
| ⑦ Battery cover | ⑭ Switch for direction |

Product Dimension

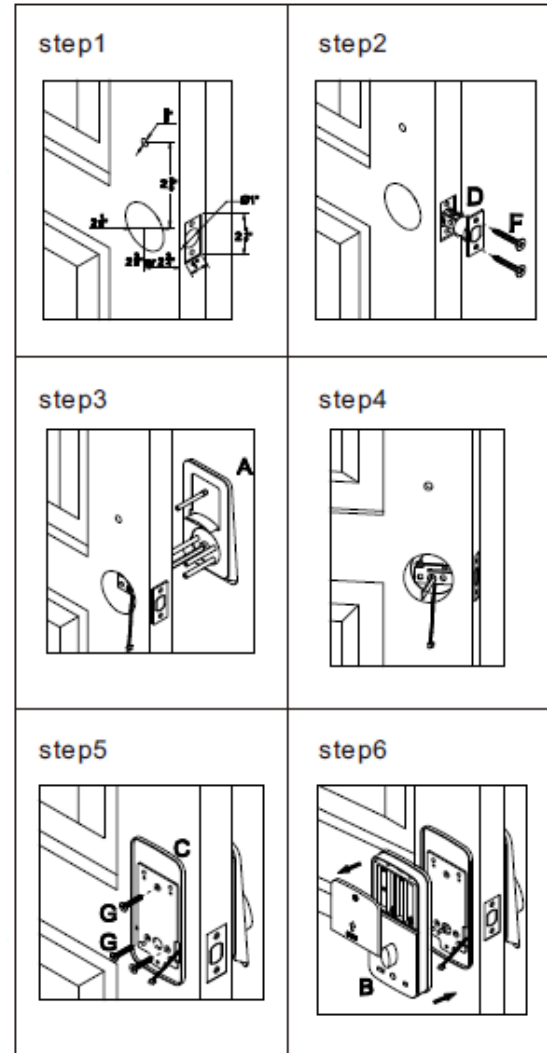


Installation Assembly

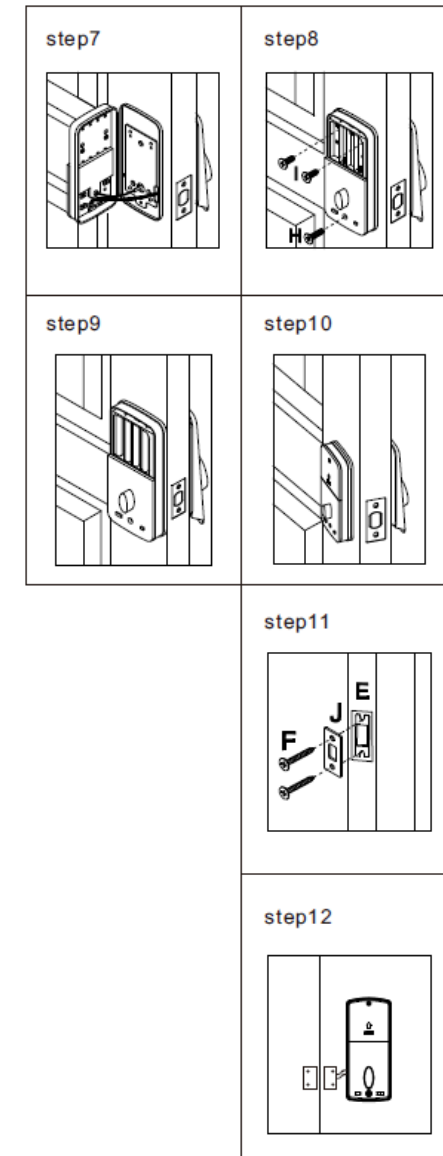


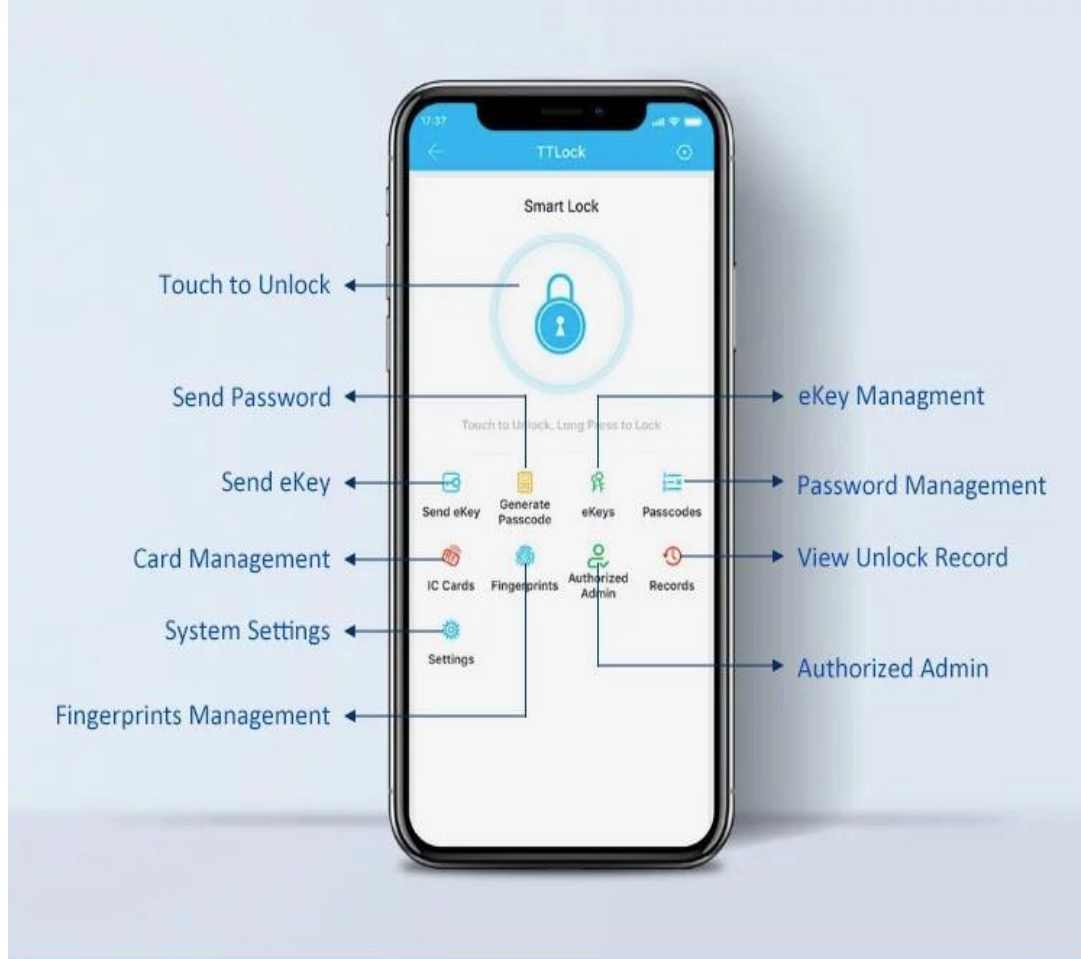
Installation Diagram

1. Drill a large and a small hole on the door for the front and rear panel and drill a round hole on the door frame for the deadbolt according to the 1:1 template.
2. Insert the deadbolt into the hole of the door frame and fix it with 2 screws.
3. Insert the thin bar of the front panel into the hole of the deadbolt in a vertical status, and then put the cable wire of the front panel through the door hole to the inside of the door.
4. Pass the cable wire through the small square hole on the right side of the mounting plate, and then fix the mounting plate and the front panel with 3 screws.
5. Remove the battery cover. If the lock is for right-open, keep the knob in the vertical direction and the moving switch in PCB is in R position. (If the lock is for left-open, keep the knob in horizontal position, the moving switch in PCB is in the L position)



6. Insert the plug of the front lock into socket of the rear lock and insert the thin bar into the hole of the knob.
7. Fix the rear panel on the mounting plate with 3 screws
8. Load 4 AA alkaline batteries in the battery holder of the rear panel, and then fix the battery cover with a screw.
9. According to the actual size of the strike box, drill a hole on the door frame, insert the strike box, and cover the strike plate, and fix it with 2 screws. Test and debug: Turn the knob of the rear panel to check whether the deadbolt protrudes and retracts smoothly; insert the mechanical key to check whether the deadbolt protrudes and retracts smoothly; program the password and the card, use the password and the card to unlock to check whether it is sensitive; open/close the door to check whether the deadbolt protrudes and retracts in and out of the strike box smoothly, if it is not smooth and misaligned, please adjust it until it is perfect.
10. If auto-locking is required when close door, pls add magnetic device





Long Range Remote Control Bluetooth Smart Lock System

