

## APP Waterproof Smart Lock

Access by Password / Fingerprint / APP / Card / Mechanical key  
Effectively protect the smart lock from water and dust



## Description

This 5 in 1 digital door lock represents a classic easy entry option for your home. A stylish door lock with a Bluetooth App, pin code, RFID card and fingerprint, manual key to provide quick and convenient access.

## Specifications

- Unlocking methods: Bluetooth App, RFID Card, Pass code, Fingerprint, Wristband or Key
- App name: TT lock
- Material: Aluminium Alloy
- Colour: Black, Silver
- Panel size: L 300(mm)\*W 68(mm)
- Communication mode: Bluetooth 4.0 above
- Support system: Android 4.4 /IOS 7.0 above
- Power supply: DC6V, 4pcs alkaline battery
- Battery life: 10,000 times normal open (12 months)
- Static current: 45Ua
- Dynamic current: <200Ma
- Unlock time: 1-1.5 seconds

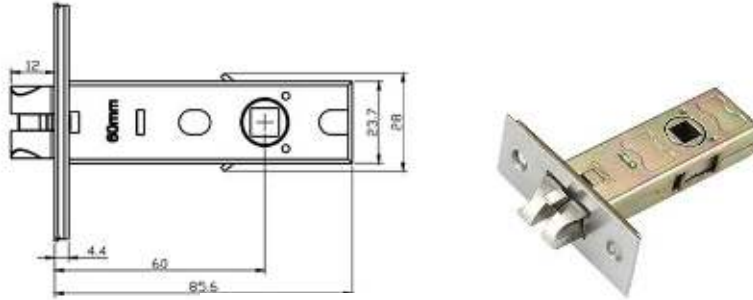


## Mortises dimensions

## MLNX6

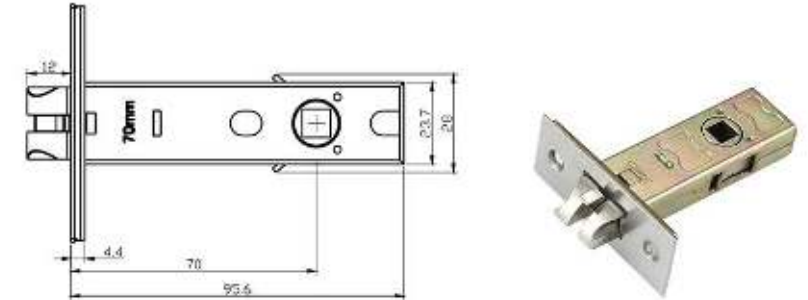
Pls choose the right mortise for your door

### Single Latch (60mm)-Black



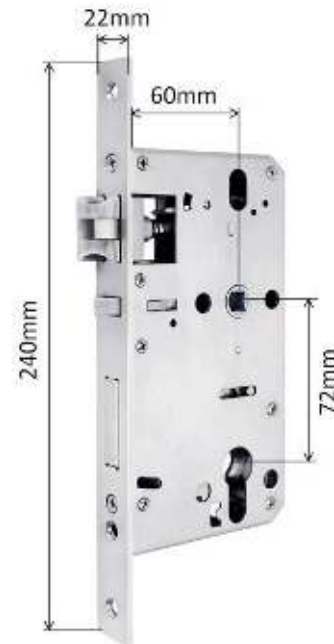
Pls choose the right mortise for your door

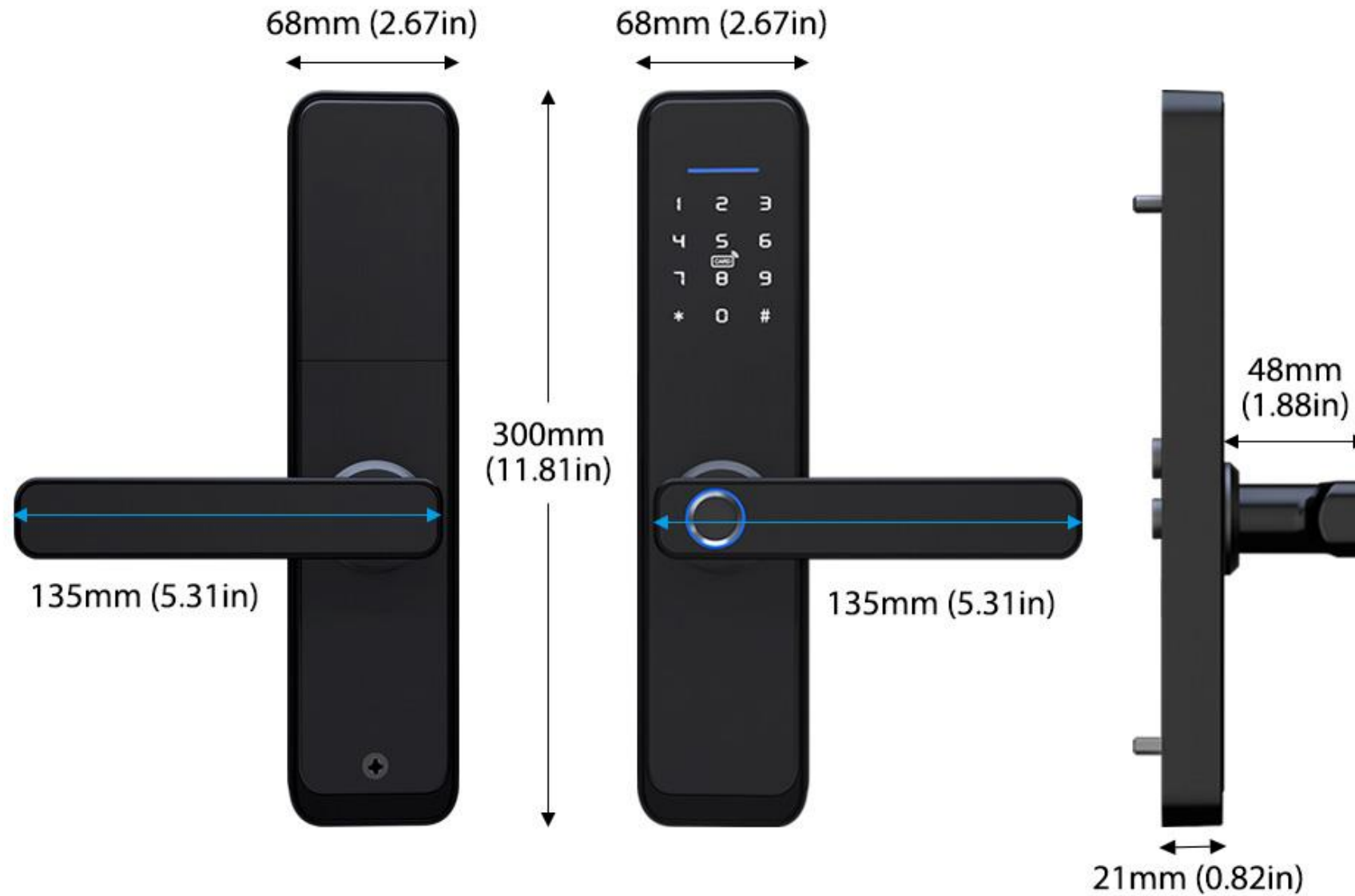
### Single Latch (70mm)-Black



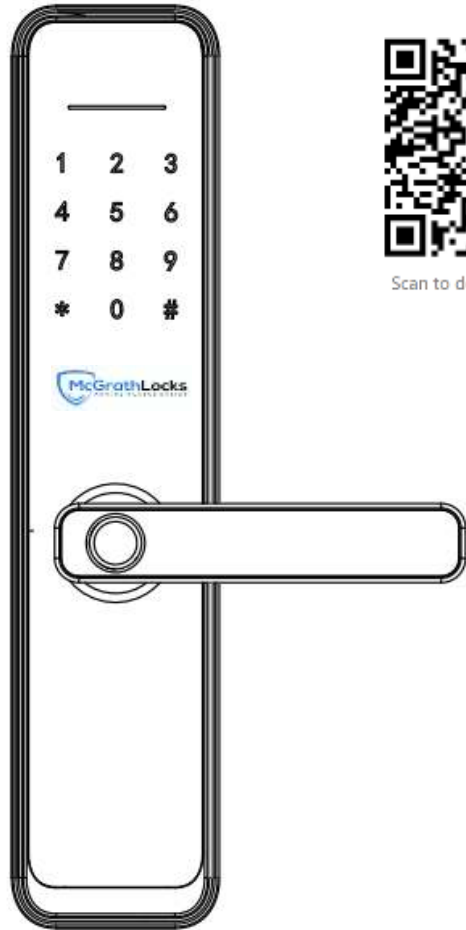
Pls choose the right mortise for your door

### 22\*240 (60 72)-Black









Scan to download TT lock

## INFORMATION AND SAFTY WARNINGS :

### 1.1 Introduction:

This user manual will guide you through the functions and usages of our MLNX3 Bluetooth enabled smart lock. It is important that you follow the instructions and regard all notes that appear throughout this manual. Consult this manual before you attempt to use the lock. If you have questions not answered by this manual or are in need of non-routine service, contact our customer service (Phone Number)

### 1.2 Safety Warnings:



**When reading this manual, note these icons: notes with this icon MUST be read, understood and obeyed to prevent injury or damage.**



#### General Usage:

- This lock shall only be used as described in this manual.
- Verify that all parts of the lock are account for. If any parts are missing, contact our customer service.
- In factory default status, the lock is on always open state after you install the lock (no power on). It means handle is free and lock can't be closed, you have to power on the lock with batteries or set admin and pair the lock with app and then the open mode will be changed to private mode automatically.
- Handle directions are reversible, please kindly follow chapter 4 (installation steps3) to change the direction. Should you have any problem, please contact our customer service.
- There is a protective film on the front touch panel, if there are some scratches on the film, don't be scared. The protective film can be removed if you need.
- Use only four AA batteries. Do not mix old and new batteries or batteries from different brands. Never insert objects into the lock other than batteries as described in this manual.
- Verify all surfaces are flat and level before beginning installation, installation on doors or surface with any types of deformity such as gaps or warping may cause the lock to malfunction or fail to operate entirely.
- Never apply any cleaner directly to any part of the lock. Only use clean water and mild cleaner on a soft non-abrasive cloth when cleaning.
- Potential shock warning: do not allow water or liquids to get into lock's electric parts.
- The lock must be used with TT lock app. The lock will function without the app but full functionality may only be achieved when the app is used.



IC Card



Passcode



Key



APP



Fingerprint

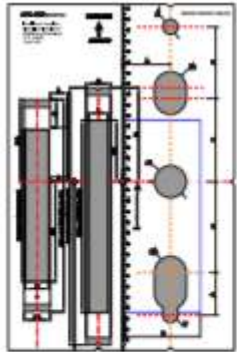


Wristband

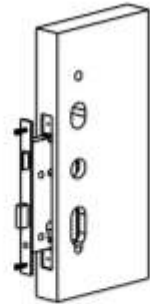
## PREPARING TO INSTALL :

### 1.1 Line Drawing

Draw a horizontal centre line inside and outside the door at 1 meter from the ground. Fold the hole template, make the handle centre line align at the door horizontal centre line, then draw out the hole lines at front and side.



Template



Trepanning



Screwdriver

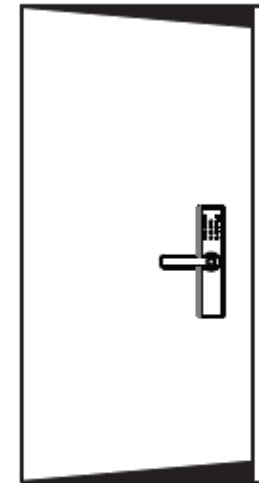


### 1.2 Determining Lever Handing:

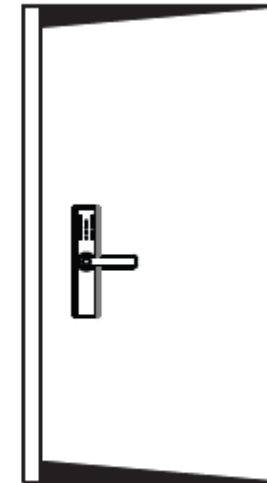
The hand of the door is determined from the secure side of the door. The term “secure” means the side from which you initially unlock and enter from outside.



**The hand of a door is determined from the secure side of the door. The term "secure" means the side from which you initially unlock and enter.**

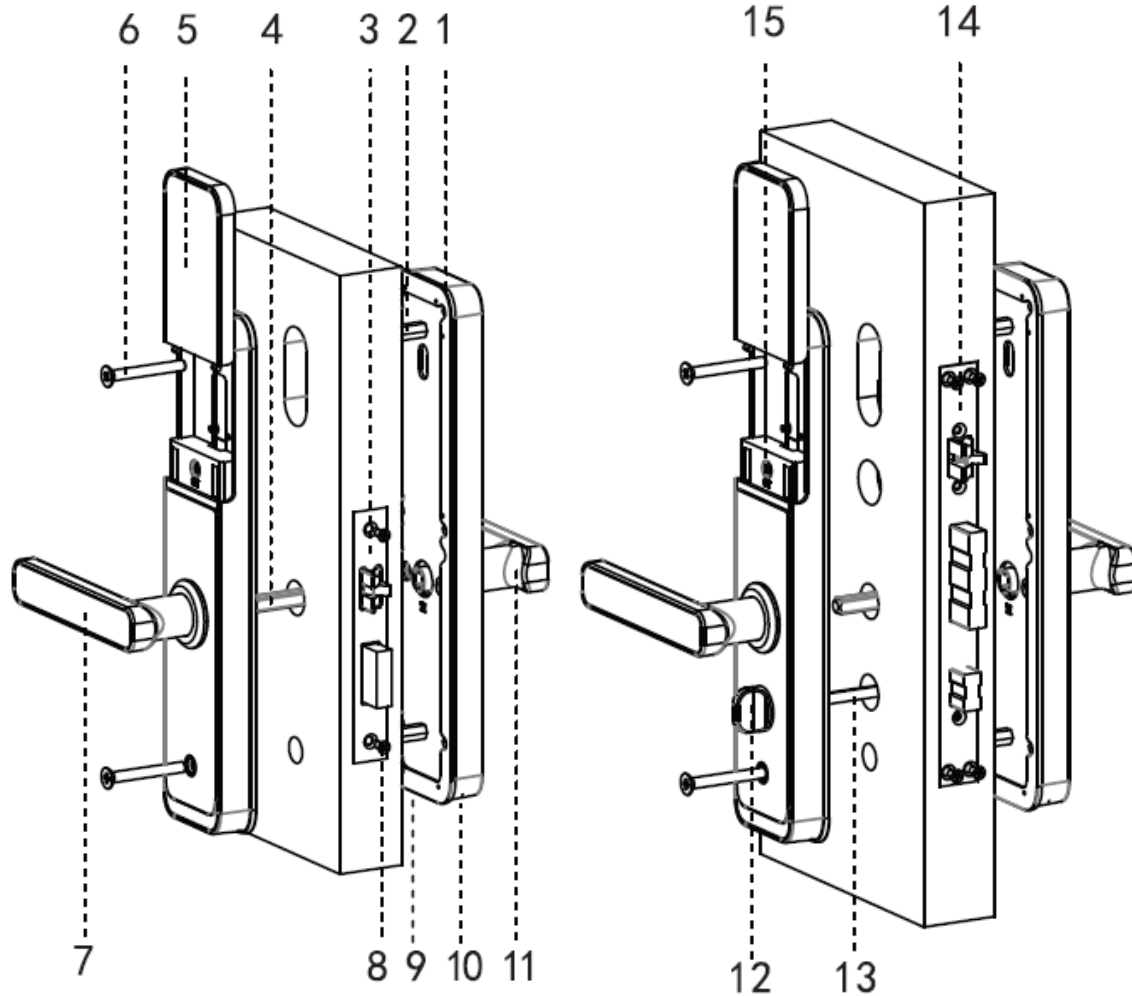


Left door opening



Right door opening

EXPLODED VIEW :



1. Outer panel	6. Connecting screw	11. Front handle
2. Connecting column	7. Back handle	12. Knob
3. Lock body	8. Lock body fixing screw	13. Anti lock pick up
4. Square bar	9. Emergency power supply	14. Lock body
5. Battery case cover	10. Lock core	15. Setting key



**SYSTEM SPECIFICATION :**

Connectivity	Bluetooth 4.0, Wi-Fi (Wi-Fi Bridge required)	Case Material	Aluminium Alloy
Identification Mode	TTLock App, Fingerprint, Card (Mifare 13.56 MHz), Code and Bluetooth	IP Rating	(IP65 External Lock Housing) (IP54 Internal Lock Housing)
User Capacity	200	Finish	Satin Nickel or Black
Identification Time	Instant recognition under 0.3 seconds	Warranty	Refer to McGrath locks Warranty form
Code	User-defined 4-8 digit	Available Mortice	60mm
Keypad Backlight	Yes	Tubular Latch	60mm,70mm
Temporary Code or Ekey	Yes	Working Humidity	10%~95%
Compatible Smartphone	iOS7.0 or above, Android 4.4 or above	Factory Passcode	123456, after setting, factory passcode will be invalid
Remote Access	Yes, Wi-Fi Gateway	WiFi Gateway	Available(Optional)
Mechanical Key Override	Yes	Unlock time	1-1.5 seconds
Micro-USB Backup Power Interface	Yes	Dynamic current	<200mA
Working Voltage	6 V (4 X Alkaline AA Batteries)	Static current	45uA
Working Temperature	External Assembly: -4 °F ~ 149 °F (-20 °C ~ 65 °C) Internal Assembly: 14 °F ~ 131 °F (-10 °C ~ 55 °C)	Administration Number	9
Battery Life	Up to 12 months (10,000 times access)	Fingerprint Capacity	100
Compatible Smart Home Eco-system	Alexa and Google Assistant (Wi-Fi Gateway is required)	Card Capacity	50
Hardware Type	Lever	Pin code Capacity	1 Master 49 users
Door Thickness	38 - 55 mm	Bluetooth capacity	Unlimited
Door Handing	Reversible (Left and Right)		

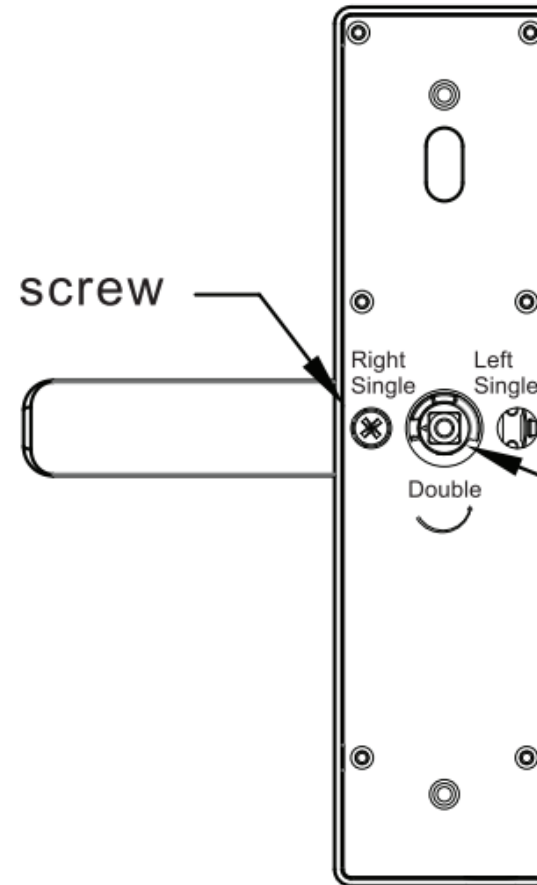




## Product Detail



Cross screw



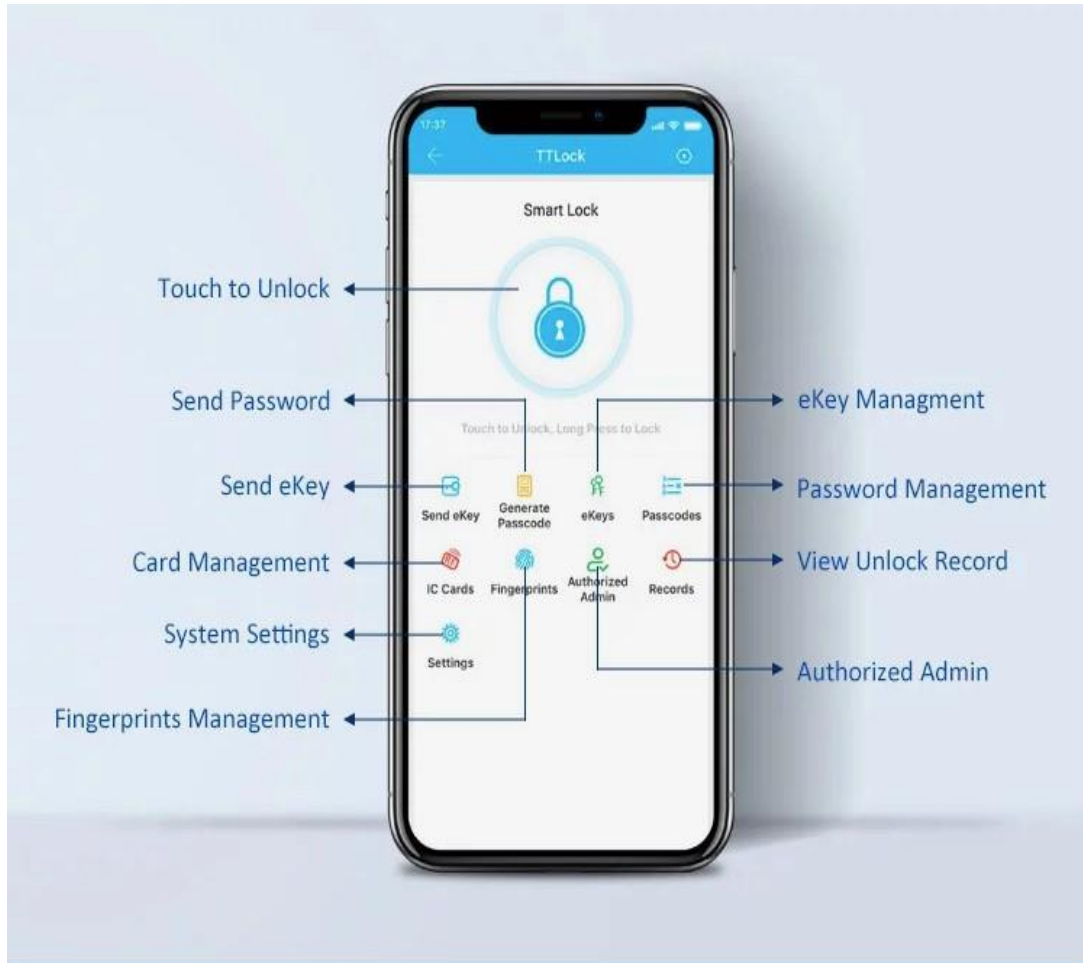
### Change Handle :

#### 1.Adjust the Front Handle Direction

1. Remove the cross screw in the figure, turn the handle 180 degrees in the direction of the arrow.
2. After adjusting the handle direction, install the screw and complete the reversing.

**ATTENTION: Hexagon screw is fixed when changing the handle direction.**





## Support Virtual Password

- Input any random number before or after the correct password

\*\*\*\*\* 666666 \*\*\*\*\*  
Random Code Correct Code Random Code

