

### Low Energy Consumption

- It is supplied by 4AA batteries -



### Semiconductor Fingerprint Reader

- Direct scanning of dermis fingerprint
- Prevention of false fingerprints



### Virtual Password Unlock

Input any random numbers before or after the correct code



### Emergency Power Supply

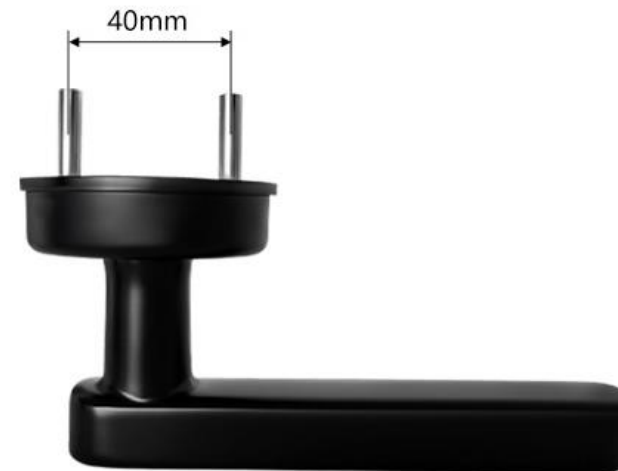
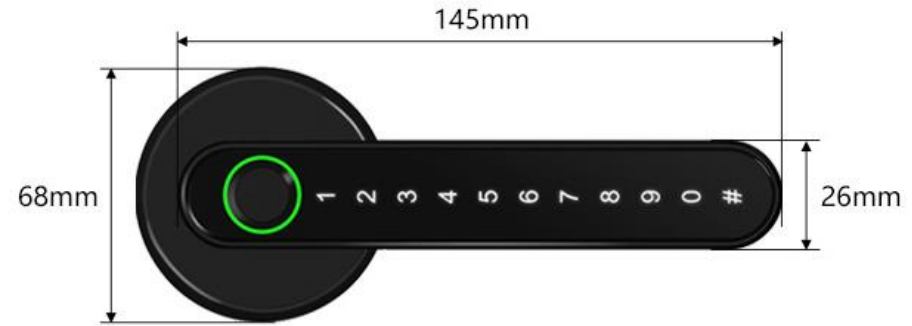


## Description

This 4 in 1 digital door lock represents a stylish design easy entry option for your home. A sleek door lock with a TTlock Bluetooth App, fingerprint, pin code, and manual key to provide quick and convenient access.(WIFI available). Lights up when being used – numbers hidden when not in use.

## Specifications

- Admin capacity : 1
- User code capacity : 150
- APP shared code : no limited
- 5. Length of password : 4-9 digits
- 6. Pin keypad type : Capacitance touch keypad
- Communication mode : Bluetooth 4.1ble and above
- Support system : Android 4.3 /IOS 7.0 and above
- Compatible door thickness : 35mm-50mm
- Door swing : Left and right swing doors
- Unlock time : 1.5s
- State current : less than 45uA
- Motor working current : less than 200mA
- Battery voltage : 4AAA.5V-8V
- Low battery warning voltage : lower than 4.8V
- Working Temperature : -20 °C-60°C
- Working Humidity : 10% ~ 90%
- False acceptance rate(FAR) : Less than 0.001%
- False rejection rate(FRR) : Less than 1%
- Battery life : 12 months
- Support Gateway with WiFi : Yes

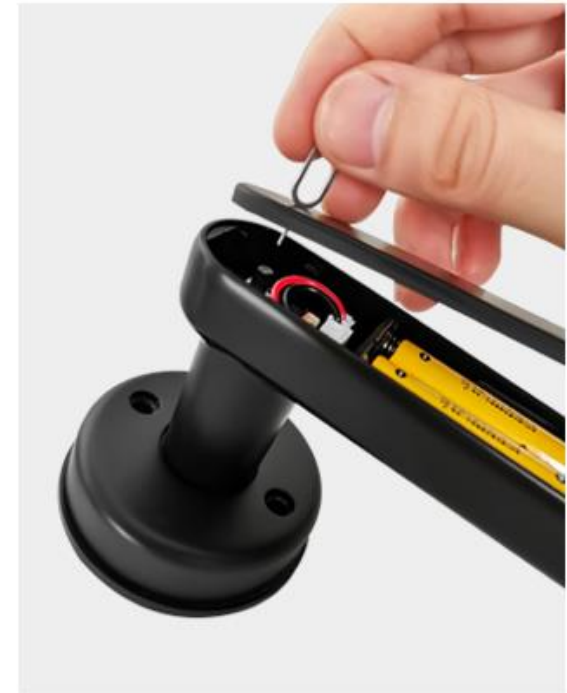
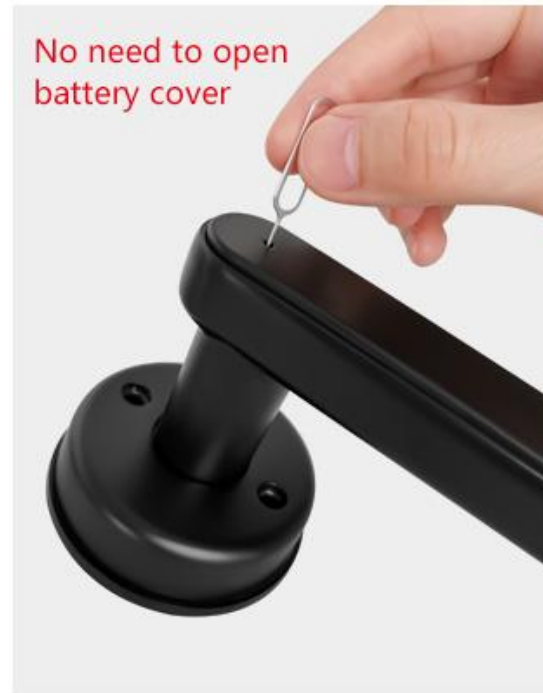


## System Specification :

Material	5# Zinc alloy,304#stainless steel, ABS
Available Colour	Black, Silver
Door Thickness	35mm – 50mm
Communication	Bluetooth 4.1 BLE and above
Support OS	iOS 7.0 or above, Android 4.4 or above
Battery Life	12 Month
Power Supply	DC 4.5V – 8V: 4pcs AAA alkaline batteries
Static Current	< 45uA
Motor working current	<200mA
Unlock Way	Passcode, APP, Fingerprint, Mechanical Key
Unlock Time	1-1.5seconds
Working Temperature	-20~70 degree
Working Humidity	10%~90%
IP Class	(IP54 External Lock Housing) (IP54 Internal Lock Housing)
WiFi Gateway	Available
Warranty	Refer to McGrath locks Warranty form
Admin capacity	1
User code capacity	150
APP shared code	Unlimited
Length of password	4 - 9
Latch Type	Tubular, Mortise

## Special Care for Reseting

Use one needle to press the reset button easily  
( The needle is include in package )



## Compatible with old mortise size

- Easy to replace original lock without any damage -



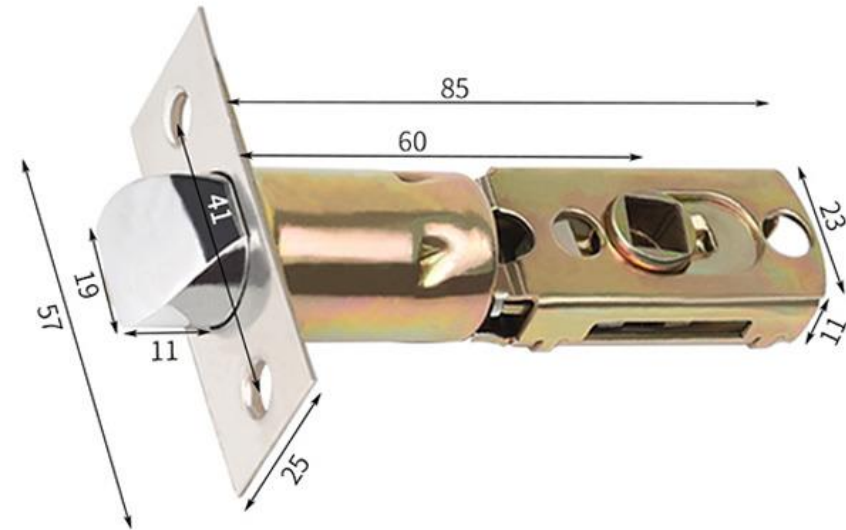
Original



Replace

## Adjustable Single Latch

Center distance can be adjusted to 70mm




Unit: mm



 Fingerprint open the door



 Password open the door

 App open door

 Key to open the door



Scan to download TT lock

## INFORMATION AND SAFTY WARNINGS :

### 1.1 Introduction:

This user manual will guide you through the functions and usages of our MLR2 Bluetooth enabled smart lock. It is important that you follow the instructions and regard all notes that appear throughout this manual. Consult this manual before you attempt to use the lock. If you have questions not answered by this manual or are in need of non-routine service, contact our customer service (Phone Number)

### 1.2 Safety Warnings:



**When reading this manual, note these icons: notes with this icon MUST be read, understood and obeyed to prevent injury or damage.**



#### General Usage:

- This lock shall only be used as described in this manual.
- Verify that all parts of the lock are account for. If any parts are missing, contact our customer service.
- In factory default status, the lock is on always open state after you install the lock (no power on). It means handle is free and lock can't be closed, you have to power on the lock with batteries or set admin and pair the lock with app and then the open mode will be changed to private mode automatically.
- Handle directions are reversible, please kindly follow chapter 4 (installation steps3) to change the direction. Should you have any problem, please contact our customer service.
- There is a protective film on the front touch panel, if there are some scratches on the film, don't be scared. The protective film can be removed if you need.
- Use only four AAA batteries. Do not mix old and new batteries or batteries from different brands. Never insert objects into the lock other than batteries as described in this manual.
- Verify all surfaces are flat and level before beginning installation, installation on doors or surface with any types of deformity such as gaps or warping may cause the lock to malfunction or fail to operate entirely.
- Never apply any cleaner directly to any part of the lock. Only use clean water and mild cleaner on a soft non-abrasive cloth when cleaning.
- Potential shock warning: do not allow water or liquids to get into lock's electric parts.
- The lock must be used with TT lock app. The lock will function without the app but full functionality may only be achieved when the app is used.



