

SBX-1G

Stainless Steel Surface Mount Box

-INSTRUCTIONS-

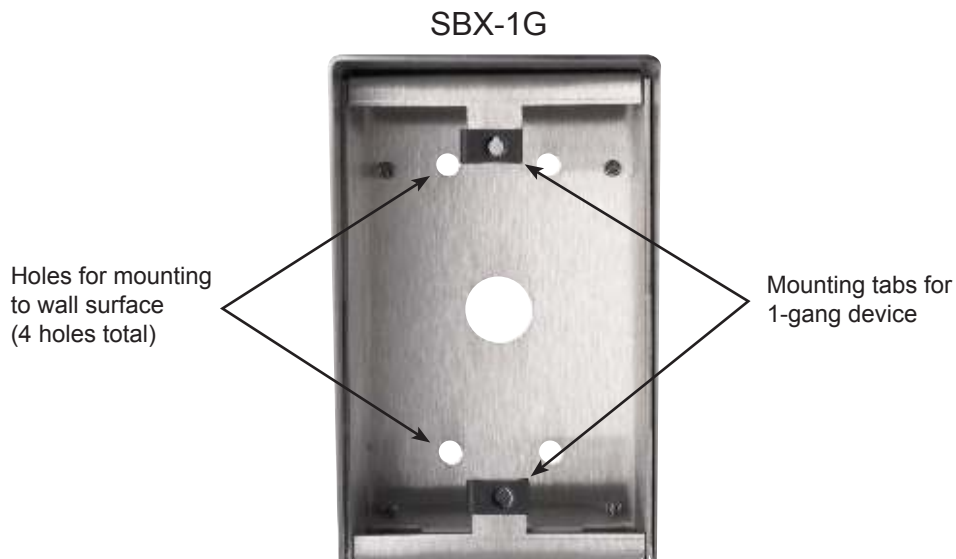
The SBX-1G is a surface mount stainless steel enclosure designed for mounting the LE-SS-1G and NE-SS-1G subs. The enclosure is weather resistant and includes space inside for wiring.

MOUNTING:

1. Mount the SBX-1G to a wall surface.
2. Connect supplied speed nuts to the the mounting ears.
3. Make wiring connections to device being installed.
4. Mount device to box using the screws provided.

PACKAGE CONTENTS:

- SBX-1G unit
- Packet of screws (2)
- Speed nuts (2)
- T-15 Torx bit (1)
- Instructions



SPECIFICATIONS:

| | |
|---------------------|--|
| Mounting: | Surface mount directly to wall surface |
| Material: | 16-Gauge Stainless Steel |
| Color: | Polished Stainless Steel |
| Mounting Hardware: | 8x32 with T-15 Torx head |
| Dimensions (HxWxD): | 4-9/16" x 2-7/8" x 2-15/16" (top); 2" (bottom) |
| Interior depth: | 1-13/16" |

Dimensions:

