

SBX-ACE

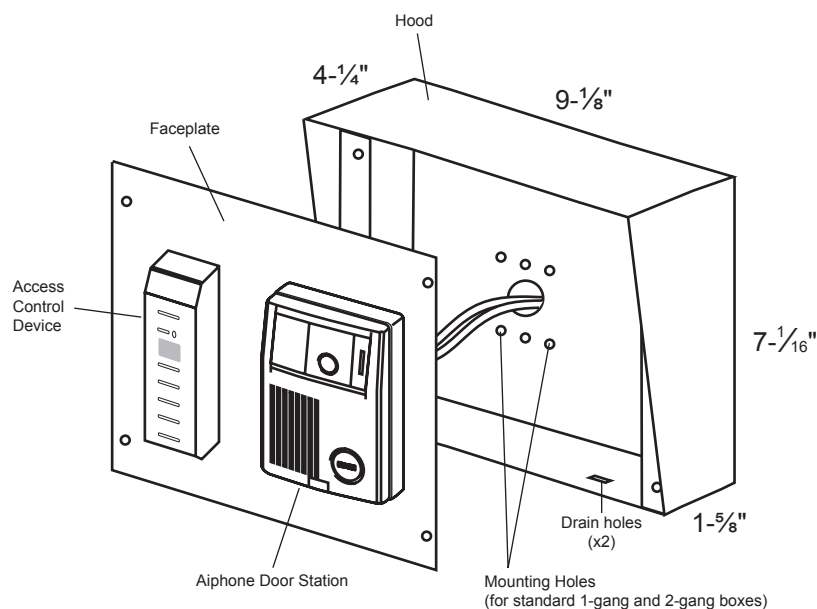
Stainless Steel Enclosure for Intercom Door Station and
Access Control Device (i.e. card or proximity reader, keypad)

-INSTRUCTIONS-

The SBX-ACE is a surface mount stainless steel enclosure designed for mounting an Aiphone 1-gang surface mount door station and an access control device side by side. This enclosure can be used as a stand-alone box for mounting any card or proximity reader, or other device requiring a hooded outdoor box. The SBX-ACE includes room inside for wiring and is weather resistant.

MOUNTING

1. Remove faceplate from SBX-ACE.
2. Position Aiphone door station and access control device onto faceplate and mark where holes are needed for mounting and wiring the devices.
3. Drill the faceplate with a tool that will penetrate stainless steel.
4. Mount Aiphone door station and access control device per instructions provided with those units.
5. Mount SBX-ACE to wall or stanchion surface using the appropriate gang box mounting holes.
6. Make wiring connections to Aiphone door station and access control equipment.
7. Mount faceplate to hood using the provided tamper resistant screws.



Aiphone Door Stations:

Audio only:
LE-D, IF-DA, IX-BA

Audio/Video:
JF-DA, JK-DA, JO-DA
JP-DA, IX-DA, KB-DAR

SPECIFICATIONS:

Mounting:	Surface mount directly to wall, 1-gang box, or 2-gang box
Material:	18 gauge polished stainless steel
Screws:	8x32 tamper resistant (x4); tool included
Overall Dimensions:	7- ¹ / ₁₆ " H x 9- ¹ / ₈ " W x 4- ¹ / ₄ " D (top) 1- ⁵ / ₈ " D (bottom)
Faceplate Dimensions:	6- ¹⁵ / ₁₆ " H x 8- ¹⁵ / ₁₆ " W
Interior Depth:	1- ¹ / ₂ "
Conduit Connection:	⁷ / ₈ " knockouts (x3)