



10027 S. 51st St. Ste 102
Phoenix, AZ 85044
Tel: 1-800-624-5625
Mon-Fri: 6:00am - 4:00pm PDT

securiton.com
techsupport@securiton.com

Magnalock[®]

Models M32, M62, and M82B

Installation and Operating Instructions



TABLE OF CONTENTS

INTRODUCTION	3
SPECIFICATIONS	3
GENERAL	4
Perform a Product Inventory	4
Have the Recommended Tools	4
Perform a Pre-Installation Survey	4
INSTALLING A MAGNALOCK	6
Attach the Template and Mark the Drill Holes	6
Drill the Holes for the Lock Body and Strike Plate	7
Install the Blind Nuts	8
Install the Strike Plate	9
Install the Magnalock	12
Wire Double Door Status	15
Wire Double Door Status—DPS	15
Wire for Emergency Release	16
MAINTAINING A MAGNALOCK	16
Perform an Inspection	16
Clean the Magnalock	16
TROUBLESHOOTING A MAGNALOCK	17
DETERMINING WIRE GAUGE	18
WARRANTY	20

INTRODUCTION

The Securitron Magnalock® family is state of the art in electromagnetic locking, and includes operational electrical characteristics and mounting configuration options addressed in this document.

The BondSTAT “B” Magnalock Series, Bond Sensor, monitors the magnetic field. An internal sensor activates a single pull double throw (SPDT) dry-contact relay connection designed for interface to access control and/or alarm systems, which reports the status of the Magnalock.

The DPS “D” Magnalock Series, Door Position Sensor, is activated by a special magnetic strike armature assembly. This isolated SPDT reed switch, with an internal resettable protection device, is designed for interface to access control and/or alarm system for door status.

SPECIFICATIONS

MODEL	M32	M62	M82B
Holding Force:	600 Pounds (lbs) [272 kg]	1200 lbs [544 kg]	1800 lbs [816 kg]
Dimensions:			
Length:	8" [203 mm]	8" [203 mm]	12" [305 mm]
Height:	1.88" [48 mm]	3" [76 mm]	3" [76 mm]
Depth:	1.6" [41 mm]	1.75" [44 mm]	1.75" [44 mm]
Current @ 12 VDC:	300 mA	250 mA	350 mA
Current @ 24 VDC:	150 mA	150 mA	200 mA
Capacitance @ 12 VDC:	6.8 mF	44 mF	44 mF
Capacitance @ 24 VDC:	6.8 mF	11 mF	11 mF
Dual Voltage:	12/24 Volts DC		
BondSTAT Rating:	Voltage: 30 VDC (Maximum) ~ Current: 1 Amp (Maximum)		
DPS Rating:	Voltage: 30 VDC (Maximum) ~ Current: 125 mA (Maximum)		

GENERAL

Perform a Product Inventory

1. Upon unpacking this product, **PERFORM** an inventory to ensure that all of the required components and hardware have been included; this should include the items detailed in Figure 1, "Magnalock Inventory."

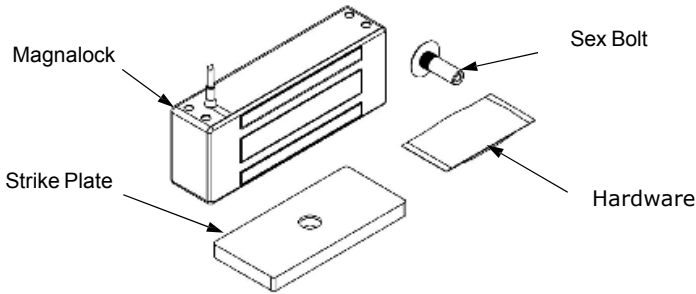


Figure 1. Magnalock Inventory

Have the Recommended Tools

1. **ENSURE** the following recommended tools are available for installation of the applicable Magnalock:

Power Drill	Hammer	Wire Strippers/Cutter
1/8", 3/8", 1/2" Drill Bits	Center Punch	Crimp Wire Connectors
Masking Tape	Crimp Tool	3/16" Hex Key (Allen Wrench)
Fish Tape or Lead Wire	Multimeter	1/2" Open end or Crescent Wrench

Perform a Pre-Installation Survey

NOTE 1: Additional brackets may be needed for proper installation. Specialized brackets are available through Securitron and its many product distributors.

NOTE 2: Figure 2, "Magnalock Installation on an Out-Swinging Door," and Figure 3, "Magnalock Installation on an In-Swinging Door," illustrate the typical mounting methods.

1. **PERFORM** an initial onsite survey to determine a method of mounting and to review the installation plan, taking the following into consideration:
 - Physical strength of mounting areas should be strong enough to meet or exceed the holding force of the required Magnalock.
 - Placement of the Magnalock wiring and protection from potential damage due to intruders or vandal's external attack.

- Accessibility for prevention of potential safety hazards.

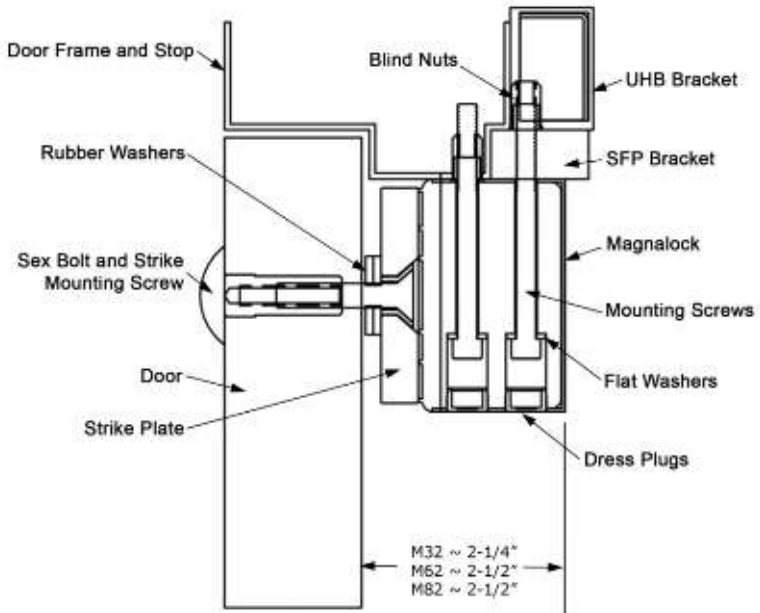


Figure 2. Magnalock Installation on an Out-Swinging Door

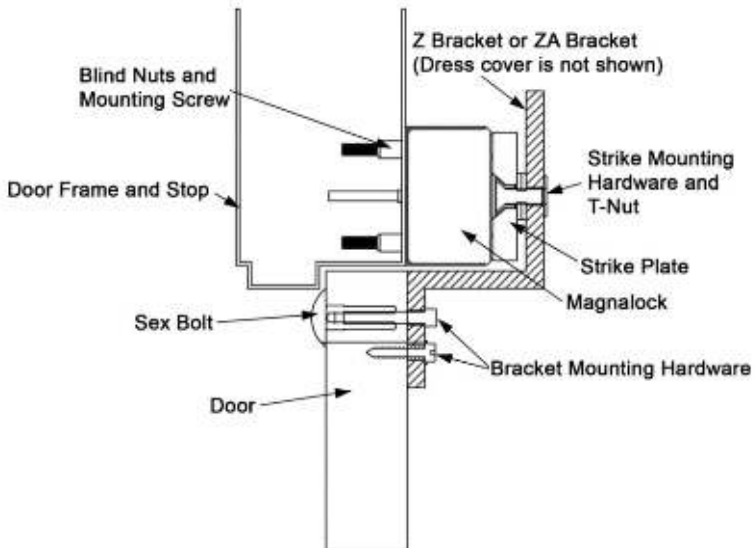


Figure 3. Magnalock Installation on an In-Swinging Door

INSTALLING A MAGNALOCK

Attach the Template and Mark the Drill Holes

1. SELECT a mounting location for the Magnalock and strike assembly.

NOTE: The edge of the template should be about 1" (25.4 mm) from the latch side of the door to allow proper access at the mounting locations for drilling and tool access.

2. ATTACH the template to the door and frame as shown in Figure 4, "Attaching the Template."
 - a. **IF** Installing a strike plate horizontally, **THEN ENSURE** the top edge of the strike will be approximately 1/8" [3.2 mm] below the door frame stop.



Figure 4. Attaching the Template

- b. **IF** the strike and magnet are to be mounted vertically, **THEN INCREASE** the clearance between the strike and frame to 3/16" [4.8 mm].
3. **WHEN** the template is attached, **THEN MARK** the location of all holes to be drilled using a center punch (see Figure 5, "Marking Drill Hole Locations").

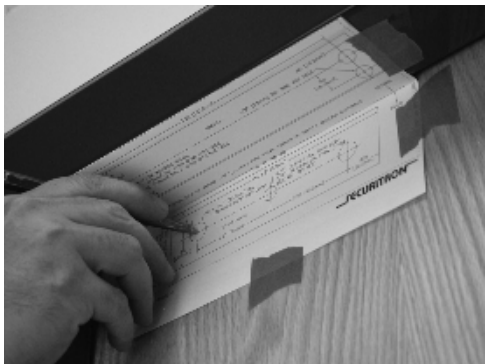


Figure 5. Marking Drill Hole Locations

Drill the Holes for the Lock Body and Strike Plate

NOTE 1: Figure 6, "Installation Drill Holes," provides illustration for the following steps.

NOTE 2: Holes #1 and #3 are 1/2" diameter and 1" deep into door. Hole #2 is 1/2" diameter and all of the way through the door.

1. DRILL the three holes for the installation of the strike plate.



Figure 6. Installation Drill Holes

NOTE 1: Figure 7, "Lock Body Drill Holes," provides illustration for the following steps.

NOTE 2: Holes A–C are 3/8" diameter.

NOTE 3: It is recommended to start drilling with a smaller bit and then use a 3/8" bit to not over size the holes.

2. DRILL the three holes for the installation of the lock body.

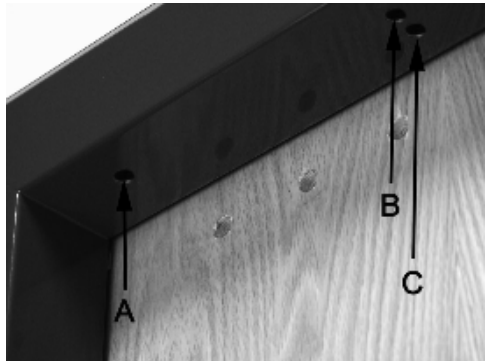


Figure 7. Lock Body Drill Holes

Install the Blind Nuts

NOTE: Figure 8, “Blind Nut Components,” Figure 9, “Installing the Blind Nuts,” and Figure 10, “Blind Nut Before and After Collapse,” provide illustration for the steps in this section.

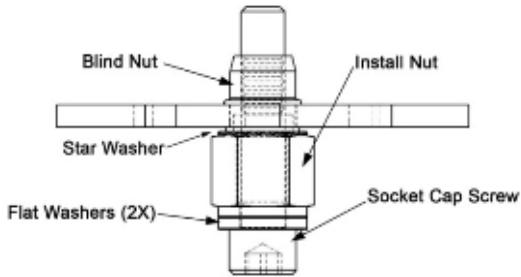


Figure 8. Blind Nut Components



Figure 9. Installing the Blind Nuts

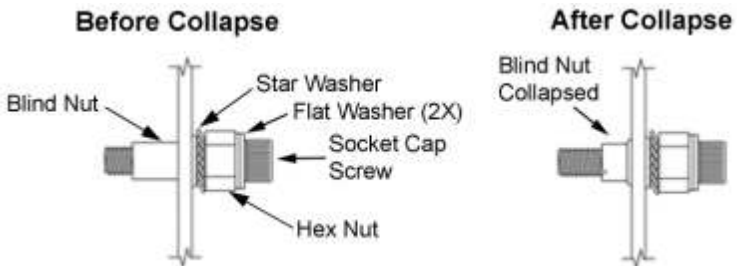


Figure 10. Blind Nut Before and After Collapse

1. INSTALL the blind nuts using the provided collapsing tool.
 - a. INSERT the assembled blind nut and installation tool into a mounting hole to install a blind nut into the 3/8" [9.5 mm] hole (see Figure 8).
 - b. HOLD the install nut using a 1/2" [13 mm] box-end wrench and, at the same time, COLLAPSE the blind nut using a 3/16" [5.0 mm] hex wrench to turn the socket cap screw (see Figure 9).

NOTE: The collapsing tool is reusable for several blind nut installations.

- c. REMOVE the collapsing tool when finished.

NOTE: Once installed, the blind nuts leave a threaded insert that will accept the case-hardened machine screws provided in the hardware pack.

- d. VERIFY that the blind nut is properly collapsed (see Figure 10).

Install the Strike Plate

1. ENSURE the following parts are available for strike plate installation (see Figure 11, "Strike Plate Components"):

- 5/16-18 screw
- Funnel Bushing
- Roll Pins (2X)
- Roll Pin Bushings (2X)
- Rubber Washers
- Sex Bolt

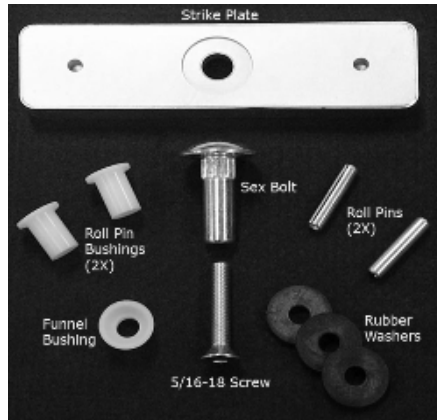


Figure 11. Strike Plate Components

2. Using a hammer, TAP the roll pins into the strike plate until seated (see Figure 12, "Seating the Roll Pins").



Figure 12. Seating the Roll Pins

3. INSTALL the roll pin bushings into the door (see Figure 13, “Installing the Roll Pin Bushings”).

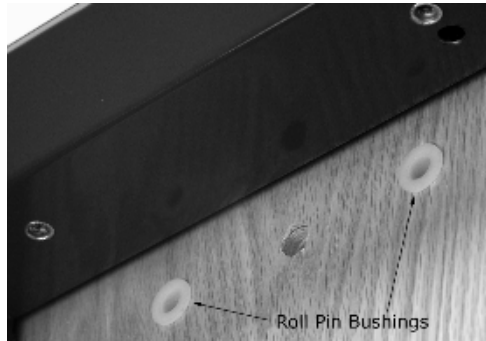


Figure 13. Installing the Roll Pin Bushings

NOTE: Figure 14, “Strike Plate Assembly,” provides illustration for the Steps 4–6.

4. INSERT the 5/16-18 bolt through the funnel bushing and strike plate

NOTE: It may be necessary to use either 2 or 3 rubber washers depending on final adjustments.

5. INSTALL 2 rubber washers on the 5/16-18 bolt.
6. APPLY thread lock to the 5/16-18 bolt threads.

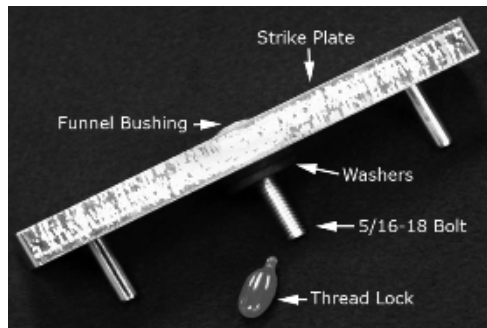


Figure 14. Strike Plate Assembly

NOTE: The strike plate is secured to the door via the supplied sex bolt.

7. From the outside of the door, gently TAP the sex bolt into place (see Figure 15, "Installing the Sex Bolt").

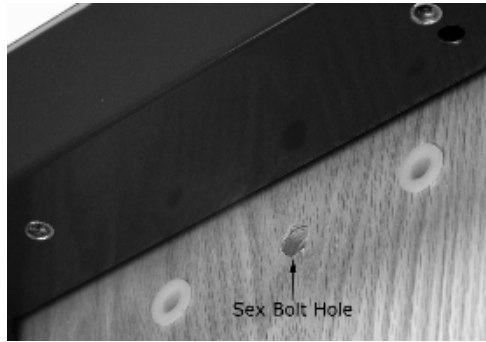


Figure 15. Installing the Sex Bolt

NOTE: The center screw should not be over tightened; strike should float.

8. INSTALL the strike by aligning it with the sex bolt and roll pin bushing and then tightening the center screw (see Figure 16, "Installing the Strike Plate").



Figure 16. Installing the Strike Plate

Install the Magnalock

1. PULL the lock wire into frame and to desired location.
2. APPLY thread lock to mounting screws.
3. MOUNT lock body to frame using supplied hardware (see Figure 17, "Installing the Magnalock").



Figure 17. Installing the Magnalock

4. INSERT the tamper finish caps into the mounting screw holes (see Figure 18, "Installing the Tamper Finishing Caps").

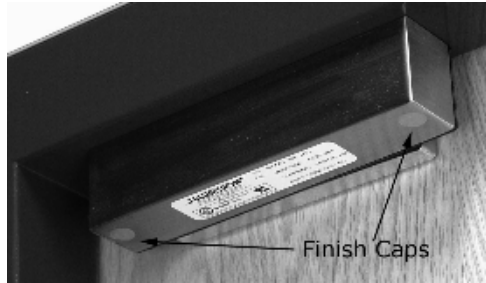


Figure 18. Installing the Tamper Finishing Caps

CAUTION: The Magnalock and strike plate must be in proper alignment or the BondSTAT and DPS functions will not operate correctly.

NOTE 1: When installing the Magnalock and strike plate, each should be in proper alignment to the other (see Figure 19, "Magnalock and Strike Plate Alignment"). This is considered critical for the operation of both the BondSTAT and DPS. However, there are alignment tolerances for each model of Magnalock, but these should be viewed as the extreme—the installation desire is always total alignment.

NOTE 2: The following are the alignment tolerances for the M32, M62, and M82:

Model	X-Coordinate Alignment (+/-)	Y-Coordinate Alignment (+/-)
M32 B/D	9/32"	1/8"
M62 B/D	5/16"	1/8"
M82 B/D	9/16"	1/8"

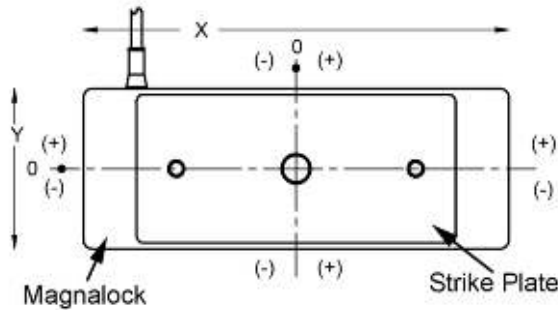


Figure 19. Magnalock and Strike Plate Alignment

- ENSURE the Magnalock and strike plate are in proper alignment.

WARNING: A shock hazard may occur if the Magnalock is operated from a DC power supply that is connected to earth ground or not isolated.

CAUTION: The Magnalock must be operated from DC power supply of appropriate capacity and voltage. The DC output of the power supply must not be connected to earth ground but must be isolated, or possible damage to the product could result.

NOTE: In order to confirm that the DC outputs of a power supply are isolated, it can be checked with an ohmmeter between earth ground and +V, and then between earth and 0V (negative). There should not be continuity.

- CONNECT the wiring per Figure 20, "Typical Magnalock Wiring," Figure 21, "Connections for BondSTAT 'B' Version," Figure 22, "Connections for DPS 'D' Version," and Figure 23, "Connections for 'BD' Version."

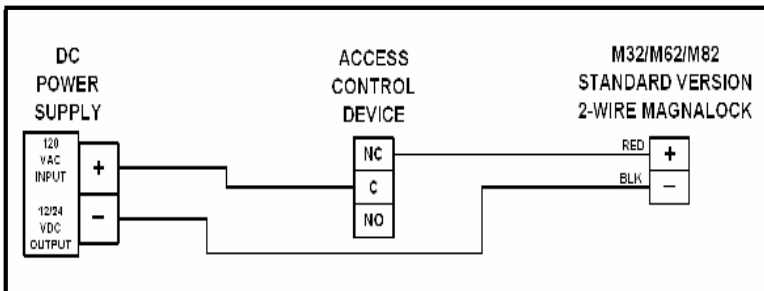


Figure 20. Typical Magnalock Wiring

NOTE 1: In Figure 21, the green and white wires supply electrical connection when the lock is ON and secure.

NOTE 2: In Figure 21, the orange and white wires supply electrical connection when the lock is OFF or unsecure.

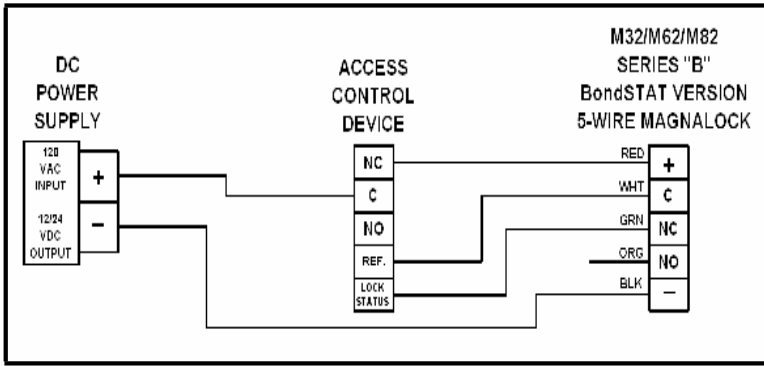


Figure 21. Connections for BondSTAT "B" Version

NOTE 1: In Figure 22, the blue and yellow wires supply electrical connection when the door condition is closed.

NOTE 2: In Figure 22, the brown and yellow wires supply electrical connection when the door condition is open.

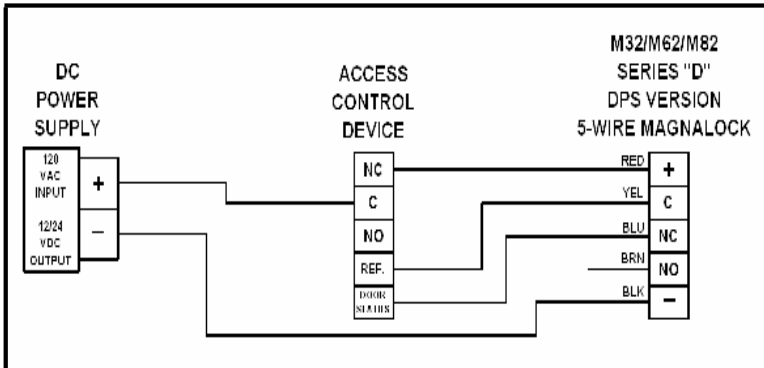


Figure 22. Connections for DPS "D" Version

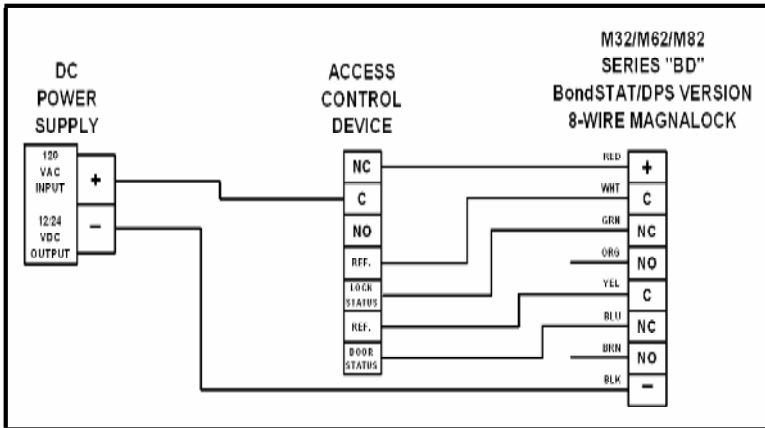


Figure 23. Connections for “BD” Version

Wire Double Door Status

NOTE: When two Magnalocks are used for double door installation, the BondSTAT contacts should be wired in series for proper reporting.

1. CONNECT the green wire of one lock to the white wire of the other as shown in Figure 24, “Double Door Status Wiring.”

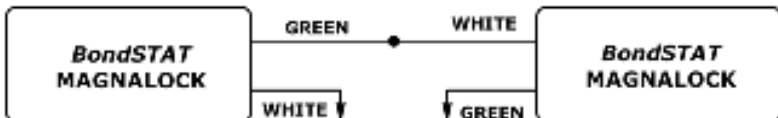


Figure 24. Double Door Status Wiring

Wire Double Door Status—DPS

NOTE: When two Magnalocks are used for double door installation, the DPS contacts should be wired in series for proper reporting.

1. CONNECT the blue wire of one lock to the yellow wire of the other as shown in Figure 25, “Double Door Status Wiring—DPS.”



Figure 25. Double Door Status Wiring—DPS

Wire for Emergency Release

- NOTE 1:** Magnalocks are often wired into a system for quick release in case of emergency.
- NOTE 2:** Manual switching or automatic triggering from a fire alarm system is practical.
- NOTE 3:** It is the user's responsibility to correctly hookup the Magnalock according to the instructions.
- NOTE 4:** Securitron power supplies have terminals for connecting emergency release switches.

1. USE a switch or relay to perform break of power.

MAINTAINING A MAGNALOCK

Perform an Inspection

1. CHECK the rubber washers for elasticity and proper pivoting; TIGHTEN as required.
2. CHECK for the build-up of debris on the Magnalock and strike armature; CLEAN as required.
3. CHECK for rust on the Magnalock and strike plate armature; CLEAN as required.

Clean the Magnalock

1. CLEAN the Magnalock at the following intervals:
 - Once a year for normal maintenance
 - Every 6 months when minor rusting occurs
 - Every 3 months if rust conditions are severe
2. APPLY rubbing alcohol onto a clean cloth and thoroughly WIPE DOWN the Magnalock and strike plate armature (indoor applications).

NOTE: An example of a silicon-based cleaner/lubricant is the following:

Super Lube® Aerosol with SYNCOLON® (PTFE)

Part Number: 31040 ~ 6oz. / 31110 ~ 11 oz. / 32015 ~ 14 oz.

Phone: (631) 567-5300 / Website: www.super-lube.com

3. APPLY a silicone-based cleaner/lubricant onto a clean cloth and thoroughly WIPE DOWN the Magnalock and strike plate armature (outdoor applications).
4. USE a plastic dishwashing scrub pad to aid in the removal of rust.

TROUBLESHOOTING A MAGNALOCK

CHALLENGE	SOLUTION
Lock does not generate a magnetic field	CHECK for specified voltage at Magnalock.
	CHECK for specified current draw at Magnalock.
Reduced holding force	CHECK DC power source is Full-Wave Rectified (Half-wave Rectifier or AC Power unacceptable).
	CHECK for specified voltage at Magnalock.
	CHECK for specified current draw at Magnalock.
	CHECK strike mounting for proper installation.
BondSTAT does not report secure	CHECK for specified voltage at Magnalock.
	Check for specified current draw at Magnalock.
	CHECK strike mounting for proper alignment and pivoting for proper closure to Magnalock.
	CHECK the Magnalock and strike for obstructions and that contact surfaces are properly cleaned.
DPS does not report door status	CHECK strike mounting for proper alignment.
	CHECK for proper door closure.
	CHECK for proper voltage/current on switch.
	CHECK resettable protection device.
Magnalock does not release	ENSURE no voltage is present at Magnalock.
	ENSURE the Magnalock is not drawing current.
	CHECK if the strike is sticky and hard to release.
	CHECK the Magnalock and strike for obstructions and that contact surfaces are properly cleaned.
Magnalock is dirty or rusty	ENSURE the Magnalock is properly cleaned.

CHALLENGE	SOLUTION
Electronic noise interference with Access Control System	CHECK for voltage from Magnalock to door frame; there should be no voltage present.

DETERMINING WIRE GAUGE

The Magnalock requires adequate voltage and current for proper operation. Resistance is created by the length and gauge (size) of the wire being used. An accurate estimated distance from the power supply to the opening is crucial. For superior operation the correct size gauge wire must be used—the devices used operate optimally with the least amount of resistance on the source. Using the correct gauge wires protects against large voltage and current (load) losses. The gauge is determined by the wire distance, voltage and current of all devices.

1. CALCULATE total current for either a 12 VDC system (see Table 1, “12 VDC System”) or a 24 VDC system (see Table 2, “24 VDC System”), as required.

Table 1..12 VDC System Current Used

Devices Used	Amps (12 VDC)	Progressive Totals
M62 Magnalock	0.250	0.250
DK-26 Access	0.160	0.410
XMS Motion	0.050	0.460
EEB2 Timer	0.025	0.485
Total Current (Rounded Up)		0.600A

Table 2. 24 VDC System

Devices Used	Amps (24 VDC)	Progressive Totals
M82 Magnalock	0.200	0.200
TSB Touch Bar	0.025	0.225
DK-11 Access	0.070	0.295
XDT-24 Delay	0.050	0.345
MK Bypass/Reset	0.020	0.365
Total Current (Rounded Up)		0.400A

2. Using the value obtained in Step 1, DETERMINE the proper wire gauge and length using Table 3, “12 VDC Wire Gauge and Length,” for a 12 VDC system, or Table 4, “24 VDC Wire Gauge and Length,” for a 24 VDC system.

Table 3. 12 VDC Wire Gauge and Length

CURRENT	1.0A	20 Gauge	18 Gauge	16 Gauge	14 Gauge	14 Gauge	12 Gauge	10 Gauge	10 Gauge	8 Gauge
	.80A	22 Gauge	18 Gauge	18 Gauge	16 Gauge	14 Gauge	12 Gauge	10 Gauge	10 Gauge	8 Gauge
	.60A	22 Gauge	20 Gauge	18 Gauge	18 Gauge	16 Gauge	14 Gauge	14 Gauge	12 Gauge	10 Gauge
	.40A	22 Gauge	22 Gauge	20 Gauge	18 Gauge	18 Gauge	16 Gauge	14 Gauge	14 Gauge	12 Gauge
	.30A	24 Gauge	22 Gauge	22 Gauge	20 Gauge	18 Gauge	18 Gauge	16 Gauge	14 Gauge	14 Gauge
	.20A	24 Gauge	22 Gauge	22 Gauge	22 Gauge	20 Gauge	18 Gauge	18 Gauge	16 Gauge	14 Gauge
12 VDC	50'	100'	150'	200'	300'	400'	500'	750'	1000'	
	[15m]	[30m]	[46m]	[61m]	[91m]	[122m]	[152m]	[229m]	[305m]	
WIRE DISTANCE										

Table 4. 24 VDC Wire Gauge and Length

CURRENT	1.0A	22 Gauge	20 Gauge	20 Gauge	18 Gauge	16 Gauge	14 Gauge	14 Gauge	12 Gauge	10 Gauge
	.80A	22 Gauge	22 Gauge	20 Gauge	18 Gauge	18 Gauge	16 Gauge	14 Gauge	14 Gauge	12 Gauge
	.60A	24 Gauge	22 Gauge	22 Gauge	20 Gauge	18 Gauge	18 Gauge	16 Gauge	14 Gauge	14 Gauge
	.40A	24 Gauge	22 Gauge	22 Gauge	22 Gauge	20 Gauge	18 Gauge	18 Gauge	16 Gauge	14 Gauge
	.30A	24 Gauge	24 Gauge	22 Gauge	22 Gauge	22 Gauge	20 Gauge	20 Gauge	18 Gauge	16 Gauge
	.20A	24 Gauge	24 Gauge	24 Gauge	22 Gauge	22 Gauge	22 Gauge	20 Gauge	20 Gauge	18 Gauge
24 VDC	50'	100'	150'	200'	300'	400'	500'	750'	1000'	
	[15m]	[30m]	[46m]	[61m]	[91m]	[122m]	[152m]	[229m]	[305m]	
WIRE DISTANCE										

WARRANTY

Magnalock M32, M62, and M82 are covered by the MagnaCare® lifetime replacement no fault warranty. No registration is required. Product will be replaced forever, for any reason, including but not limited to installation error, vandalism, or acts of God. Replacement product is shipped at Securitron's expense next day air if needed.

For more information, visit www.securitron.com