

PRODUCT FEATURES

- 4000lbs holding power
- Mounting plate for easy, accurate installation
- Automatic dual voltage (12/24V)
- Accepts AC or DC current
- Fail Safe
- Ideal for mental health care and auxiliary detention facilities and other high-risk locations
- MagnaCare Lifetime Replacement No Fault Warranty

PRODUCT OPTIONS

- Door Position Switch (DPS)
- Anti-tamper switch
- 1/2" conduit fitting
- Mounting options for out-swing or in-swing metal door applications
- Tamper shield
- Dress covers

SPECIFICATIONS

- UL 10C Fire Rated, 1 hour
- CAN/ULC-S533 Listed
- Patent: 6,902,214

Holding Force:

4000lbs [1814 kg]

Dimensions:

6" L x 1-7/8" D x 2-3/4" H

Electrical:

AC Current: 130mA at 12VAC;
250mA at 24VAC

DC Current: 100mA at 12VDC;
200mA at 24VDC

Operating Temperature:

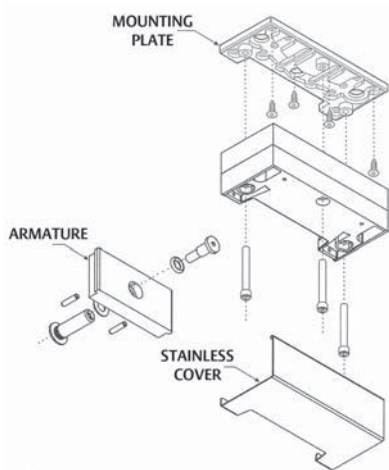
-40 to +140F [-40 to +60C]
Indoor use only

Shipping Weight:

6lbs [2.72kg]

Finishes:

US26D/626 - Brushed Stainless



MM15

E-Mag

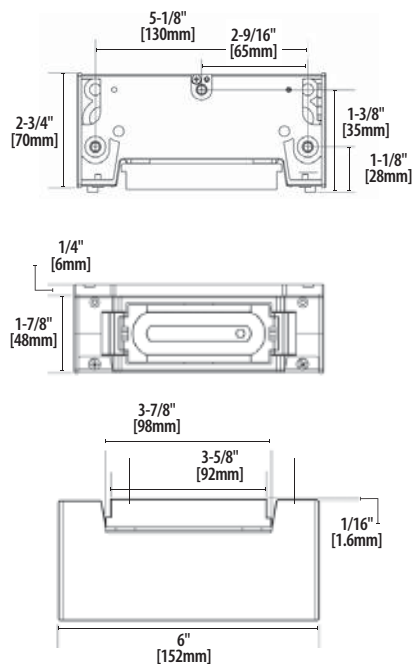
Unique Hybrid Design, Two Tons of Holding Power

The hybrid design of the MM15 includes two springloaded, hardened steel jaws that deliver up to 4000lbs of ultimate holding power. In a forced-entry assault, the jaws clamp down on the armature plate and hold firm, for an unmatched level of access control.

MODELS

PART # | Description

MM15	Electromechanical Maglock - 4000lbs
MM15DT	Electromechanical Maglock - 4000lbs, DPS, Tamper
MM15G	Electromechanical Maglock - 4000lbs, Conduit
MM15GDT	Electromechanical Maglock - 4000lbs, Conduit, DPS, Tamper



DUAL VOLTAGE



GRADE 1



FIRE RATED



DC-MM15 » DRESS COVERS

- Available in Black, Polished Brass or Satin Brass finish
- MagnaCare Lifetime Replacement No Fault Warranty

» MODELS

PART # | Description

DC-MM15BK	DC - MM15, Black
DC-MM15BP	DC - MM15, Polished Brass
DC-MM15BS	DC - MM15, Satin Brass



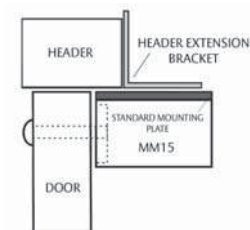
HEB-MM15 » HEADER EXTENSION BRACKETS

- MagnaCare Lifetime Replacement No Fault Warranty

» MODELS

PART # | Description

HEB-1BK-MM15	HEB - 1" for MM15 Series, Black Finish
HEB-1CL-MM15	HEB - 1" for MM15 Series #130, Clear Finish
HEB-2BK-MM15	HEB - 2" for MM15 Series, Black Finish
HEB-2CL-MM15	HEB - 2" for MM15 Series #130, Clear Finish
HEB-3BK-MM15	HEB - 3" for MM15 Series, Black Finish
HEB-3CL-MM15	HEB - 3" for MM15 Series #130, Clear Finish



MM15 E-MAG Accessories



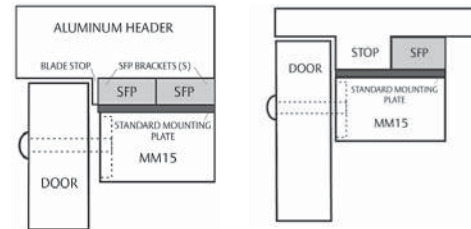
SFP » STOP FILLER PLATES

- MagnaCare Lifetime Replacement No Fault Warranty

» MODELS

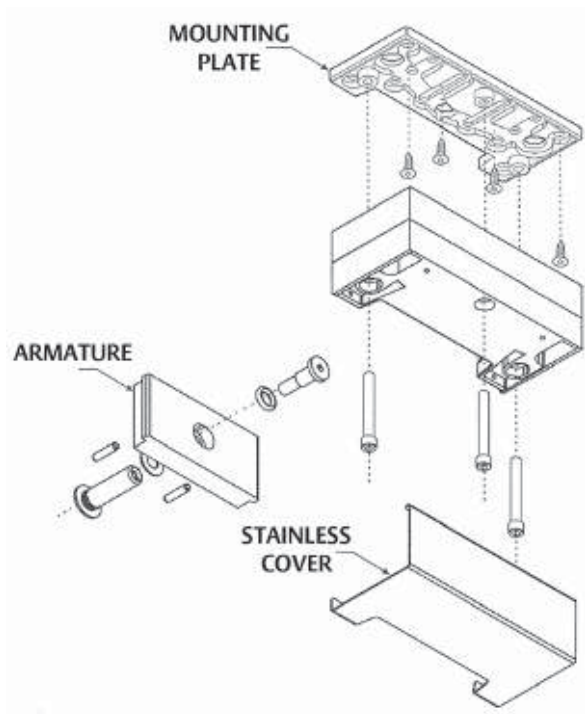
PART # | Description

SFP-1/2BKMM15	SFP - 1/2" for MM15, Black Finish
SFP-1/2CLMM15	SFP - 1/2" for MM15, Clear Finish
SFP-3/8BKMM15	SFP - 3/8" for MM15, Black Finish
SFP-3/8CLMM15	SFP - 3/8" for MM15, Clear Finish
SFP-5/8BKMM15	SFP - 5/8" for MM15, Black Finish
SFP-5/8CLMM15	SFP - 5/8" for MM15, Clear Finish



MM15 E-MAG

Accessories



TS » TAMPER SHIELD

Protect Your Locks with Tamper Shield

The TS Tamper Shield completely encases the lock face, providing an added layer of protection against attempts to compromise or vandalize the magnetic locking mechanism.

- MagnaCare Lifetime Replacement No Fault Warranty

» MODELS

PART # | Description

MM15-TS | Tamper Shield for MM15 - Stainless Steel



Z-MM15 » Z BRACKET KITS

- MagnaCare Lifetime Replacement No Fault Warranty

» MODELS

PART # | Description

Z-MM15BK | Z-Bracket - MM15, Black

Z-MM15CL | Z-Bracket - MM15, Clear

