

Recording
&
Playback

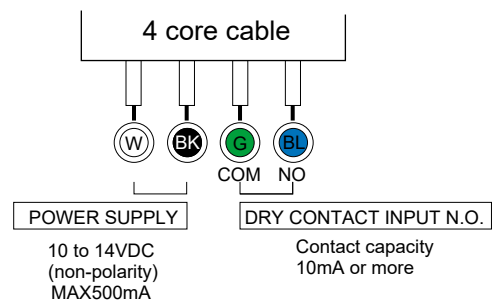
VOICE SPEAKER

AV-100E (Power:12VDC) CE



- AV-100E is designed to give an audio message after receiving alarm signal from a PIR etc.
- Max. recording time is 12 secs. The message is easily recorded by just speaking into the built-in microphone.
- The message can be tailored to suit all applications.
- The message can be overwritten.
- External relay input is Normally Open (Form A).
- Rainproof for outdoor installation.

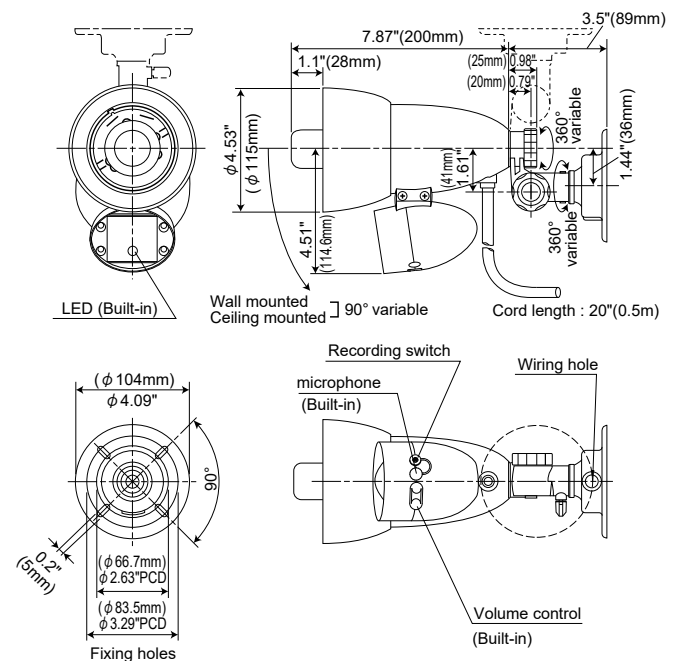
WIRING



SPECIFICATIONS

Description	Voice Speaker
Model	AV-100E
Power supply	10 to 14VDC (non-polarity)
Current consumption	20mA or less(Stand by) 500mA or less (Max.)
Alarm input	Dry contact relay : N.O. (contact capacity:10mA)
Sound synthesis method	PCM method
Record method	Built-in condenser microphone
Record / Playback time	Max 12 secs.
Sound output	Operation : One-shot playback (12 sec.) by alarm input signal (No retrigger during playback) Sound volume : Max.100dB/2W(1m ahead) at right recording level Adjustable from 0 to Max by volume switch
Indication LED	Recording level is indicated : "Blinking" : good "ON" : too low "OFF": tooloud Playback : ON(during playback)
Ambient temperature	-20°C to + 50°C without condensation and freeze
Mounting position	Indoor / outdoor (rainproof)
Weight	Approx.1000g
Appearance	Body: Resin(Black)

EXTERNAL DIMENSIONS (unit : mm)



Please note: This unit is designed to give an audio message; it is not a burglary or a crime preventing device.

TAKEX is not responsible for damage, injury or losses caused by accident, theft, Acts of God (including inductive surge by lightning), abuse, misuse, abnormal usage, faulty installation or improper maintenance.

TAKEX

In Japan

Takenaka Engineering Co., Ltd.
83-1, Gojo-Dori, Sotokan Nishi-iru, Higashino,
Yamashina-ku, Kyoto 607-8156, Japan
Tel : 81-75-501-6651
Fax : 81-75-593-3816
<https://www.takex-eng.co.jp/>

In the U.S.

Takex America Inc.
151, San Zeno WAY
Sunnyvale, CA 94086, USA
Tel : 408-747-0100
Fax : 408-734-1100
<https://www.takex.com>

In Australia

Takex America Inc.
4/15 Howleys Road, Notting Hill,
VIC, 3168
Tel : +61 (03) 9544-2477
Fax : +61 (03) 9543-2342
<https://www.takex.com>

In the U.K.

Takex Europe Ltd.
Aviary Court, Wade Road,
Basingstoke, Hampshire. RG24 8PE, U.K.
Tel : (+44) 01256-475555
Fax : (+44) 01256-466268
<https://www.takex.com>