

**TAKEX**

# ANTI-MASKING BASE UNIT BP-150AE



The BP-150AE is a unique sensor base unit that adds anti-masking functionality to several TAKEX products. It prevents the sensor from being sabotaged by spray paint, paper or the attachment of other materials in an attempt to blind or mask the unit.

Equipped with a photoelectric sensor, the unit will issue an alarm when it detects an event.

You can add anti-masking functionality to the PA-6812E, PA-6820E, PA-6810E, PA-6805E, PA-6612E or FS-2000E\* by simply replacing the existing sensor base with the BP-150AE.

**Just snap in an applicable sensor head.**



**Issues a trouble alarm when covered by paper or cloth.**

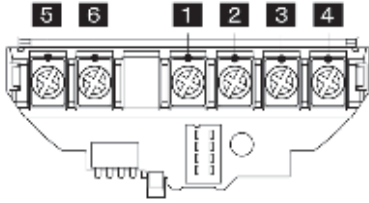


**Also detects putting a cover for sabotage.**



# ANTI-MASKING BASE UNIT

## TERMINAL ALLGIMENT



### 1 2 Power (non-polarity)

9 to 30V DC  
Power is supplied to both base unit and sensor unit through terminal 1 and 2. The supply voltage should be subject to the narrower nominal voltage specified for either base or sensor unit.

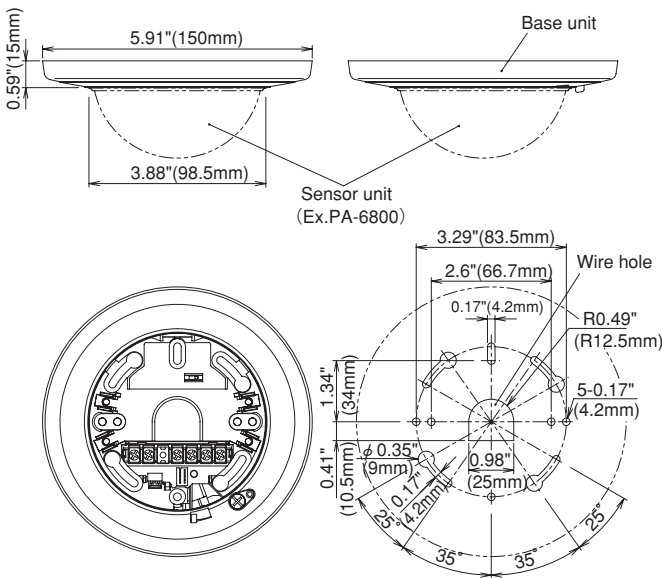
### 3 4 Alarm

Output should be subject to the spec. of the attached sensor unit.

### 5 6 Trouble alarm

N.C. only 24V(AC/DC) 0.25 A Max  
Anti-masking operation : Off delay output at detection (Approx. 2sec)  
Tamper output : Real time output when the sensor unit is removed from the base.

## EXTERNAL DIMENSIONS (Unit: inch)



## SPECIFICATIONS

Model	BP-150AE
Detection system	Direct reflection system by near infrared
Protection distance	Area in front of sensor
Detection element	Photo IC
Terminals	①② : Power supply to both sensor unit and anti-masking base ③④ : Alarm output ⑤⑥ : Trouble alarm output paralleled with tamper output
Installed location	Indoor ceiling mount
Compatible models and Power Supply (non-polarity)	9 to 18VDC : PA-6812E, PA-6820E, PA-6805E, PA-6810E 10.5 to 18VDC : PA-6612E 10 to 30VDC : FS-2000E*(Alarm output is limited to N.C. only)
Alarm output	Subject to the attached sensor unit *N.C. only for FS-2000E
Current consumption	Max 15mA (Base unit only)
Trouble alarm output	Dry contact (Semi-conductor) output N.C. Rating : 24V AC/DC Max. 0.25A (resistive load) Contact protection resistor 3.3 ohms OR-gated with tamper output through terminal ⑤ & ⑥
Trouble alarm operation	Anti-masking output : Off delay operation (Min Approx. 2 sec.) Tamper output : Real time operation
LED	Trouble LED : Orange Warming up : Light off Anti-masking output : Off delay light (Min 2sec.) Tamper output : Light off
Ambient temperature range	+5°F to +131°F (-15°C to +55°C) without condensation
Wiring	Terminals
Weight	120 g (3.86 oz)
Appearance	Body : ABS resin (White)

**Please note :** This sensor is designed to detect intrusion and to initiate an alarm; it is not a burglary or a crime preventing device. TAKEX is not responsible for damage, injury or losses caused by accident, theft, Acts of God (including inductive surge by lightning), abuse, misuse, abnormal usage, faulty installation or improper maintenance.

LEAF01-06P19-1

# TAKEX

### In Japan

**Takenaka Engineering Co., Ltd.**  
83-1, Gojo-sotokan,  
Higashino, Yamashina-ku,  
Kyoto 607-8156, Japan  
Tel : 81-75-501-6651  
Fax : 81-75-593-3816  
<http://www.takex-eng.co.jp/>

### In the U.S.

**TakeAmerica Inc.**  
1330, Orleans Drive,  
Sunnyvale,  
CA 94089, U.S.A.  
Tel : 408-747-0100  
Fax : 408-734-1100  
<http://www.takex.com>

### In Australia

**Take America Inc.**  
Unit 16, 35 Garden Road,  
Clayton 3168, Victoria,  
Australia  
Tel : 03-9546-0533  
Fax : 03-9547-9450

**Take America Inc.**  
Brisbane office: 1/50 Logan  
Road, Woolloongabba  
Queensland  
4102, Australia  
Tel : 07-3891-3344  
Fax : 07-3891-3355

### In the U.K.

**Take Europe Ltd.**  
Take House, Aviary Court,  
Wade Road, Basingstoke,  
Hampshire. RG24 8PE, U.K.  
Tel : (+44)01256-475555  
Fax : (+44)01256-466268  
<http://www.takexeuropa.com>