

TAKEX

PASSIVE INFRARED SENSOR



PA-7012E : Wide type



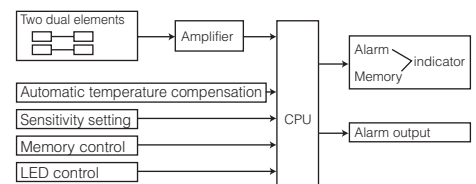
PA-7030E : Long type



DIGITAL-QUAD PASSIVE INFRARED SENSOR

GENERAL DESCRIPTION

The PA-7000 series "Digital-Quad" passive infrared sensors are the newest line of quad element PIR's, from the originator of quad passive infrared sensors. Each unit contains two dual element sensors which are linked by a digital central processing unit. This results in calculation of a true motion signal in order to initiate an alarm. It can detect a human like pattern definition and reject other potential false alarm causes.



TAKEX original CPU controls all of sensor functions including signal processing or calculation work.

AUTOMATIC TEMPERATURE COMPENSATION CIRCUIT

Sensitivity of the unit is automatically adjusted relative to the environmental temperature. The sensitivity becomes maximum at body temperature range and decreases when the temperature differential changed either higher or lower. This eliminates the need for seasonal manual adjustments.

ALARM MEMORY

Unit contains special circuitry to indicate that it has activated an alarm during its armed period.

REMOTE CONTROL LED

Allows the walk test LED to be enabled/disabled remotely through a control panel.

EXCELLENT RFI, EMI IMMUNITY

CEILING OR WALL MOUNTING AVAILABLE

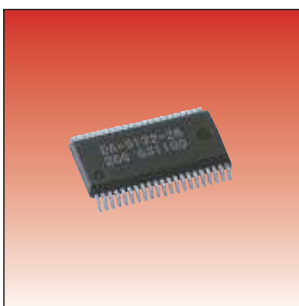
Flush mounting available as an option.

EASY INSTALLATION/LOCATION

Convenient twist lock base and built-in zone locator.

LOWER POWER CONSUMPTION

15mA (with 12V DC supplied).



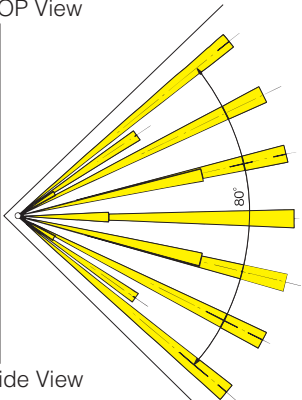
[CPU]

PASSIVE INFRARED SENSOR

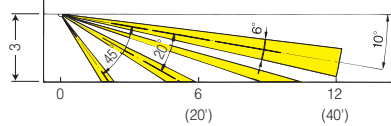
■ COVERAGE Unit:m(ft.)

PA-7012E(Wide Type)

● TOP View



● Side View

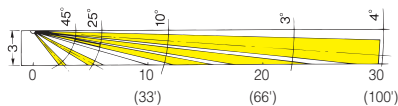


PA-7030E(Long Type)

● TOP View



● Side View

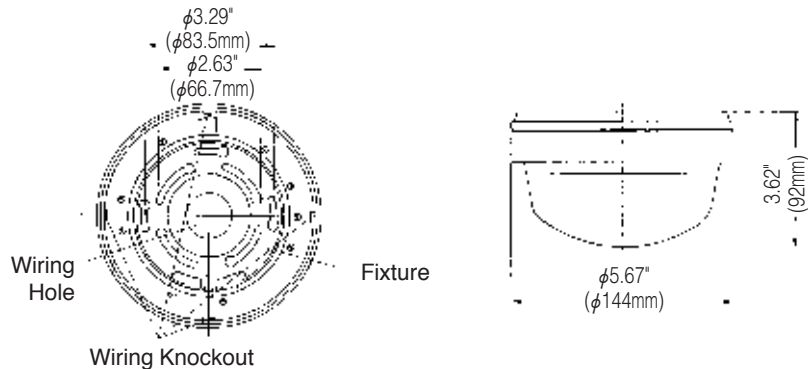


■ OPTIONAL

- Flash mount attachment (BU-7000)



■ EXTERNAL DIMENSIONS (Unit:inch(mm))



■ TERMINAL ARRANGEMENT

[Terminal arrangement-base]



- 1 2 Power Input
Input Voltage is 9~18V-DC.
non-polarity
- 3 4 5 Alarm output
When no alarm is present, there is continuity between COM-NC.
When an activation occurs, there is continuity between COM-NO.
- 6 7 Tamper output
When the cover is attached, there is continuity.
When the cover is removed, there is no continuity.
- 8 Refer to "MEMORY FUNCTION"
- 9 Refer to "LED CONTROL"

■ SPECIFICATIONS

Model	PA-7012E	PA-7030E
Area	Wide type	Long type
Coverage	Max. 40' (12m), 90m ²	Max. 100' (30m)
Number of sensitive zone	56 (28 pair)	20 (10 pair)
Mounting position	Indoor ceiling or wall	
Supply voltage	9V to 18V DC, No-polarity	
Power consumption	15mA (at 12V), 20mA (at aim adjustment)	
Alarm output	0.1A, 30V, 1C (SPDT) Reset: 2 sec. ±1sec.	
Tamper output	0.1A, 30V, 1b (SPST)	
Ambient temperature range	+14°F to +122°F (-10°C to +50°C)	
Memory function	Control at terminal 8 : Lights up for memory indication	
LED control	Control at terminal 9 or built-in switch	
Weight	11.6 oz (330g)	

Prease note : This sensor is designed to detect intrusion and to initiate an alarm ; it is not a burglary-preventing device.TAKEX is not responsible for damage, injury or losses caused by accident, theft, Acts of God (including inductive surge by lightning), abuse,misuse,abnormal usage, faulty installation or improper maintenance.

LEAF 07-04P3-6

TAKEX

In Japan

Takenaka Engineering Co., Ltd.
83-1, Gojo-sotokan,
Higashino, Yamashina-ku,
Kyoto 607-8156, Japan
Tel : 81-75-501-6651
Fax : 81-75-593-3816
<http://www.take-eng.co.jp/>

In the U.S.

Take America Inc.
230E, Caribbean Drive
Sunnyvale,
CA 94086, U.S.A.
Tel : 408-747-0100
Fax : 408-734-1100
<http://www.take.com>

In Australia

Take America Inc.
Unit 16/35 Garden Road,
Clayton 3168 Victoria,
Australia
Tel : 03-9546-0533
Fax : 03-9547-9450

Take America Inc.
Brisbane office : 1/50 Logan
Road,Woolloongabba
Queensland
4102, Australia
Tel : 07-3891-3344
Fax : 07-3891-3355

In the U.K.

Take Europe Ltd.
Take House, Aviary Court,
Wade Road, Basingstoke,
Hampshire, RG24 8PE, U.K.
Tel : (+44)01256-475555
Fax : (+44)01256-466268
<http://www.takeeurope.com>