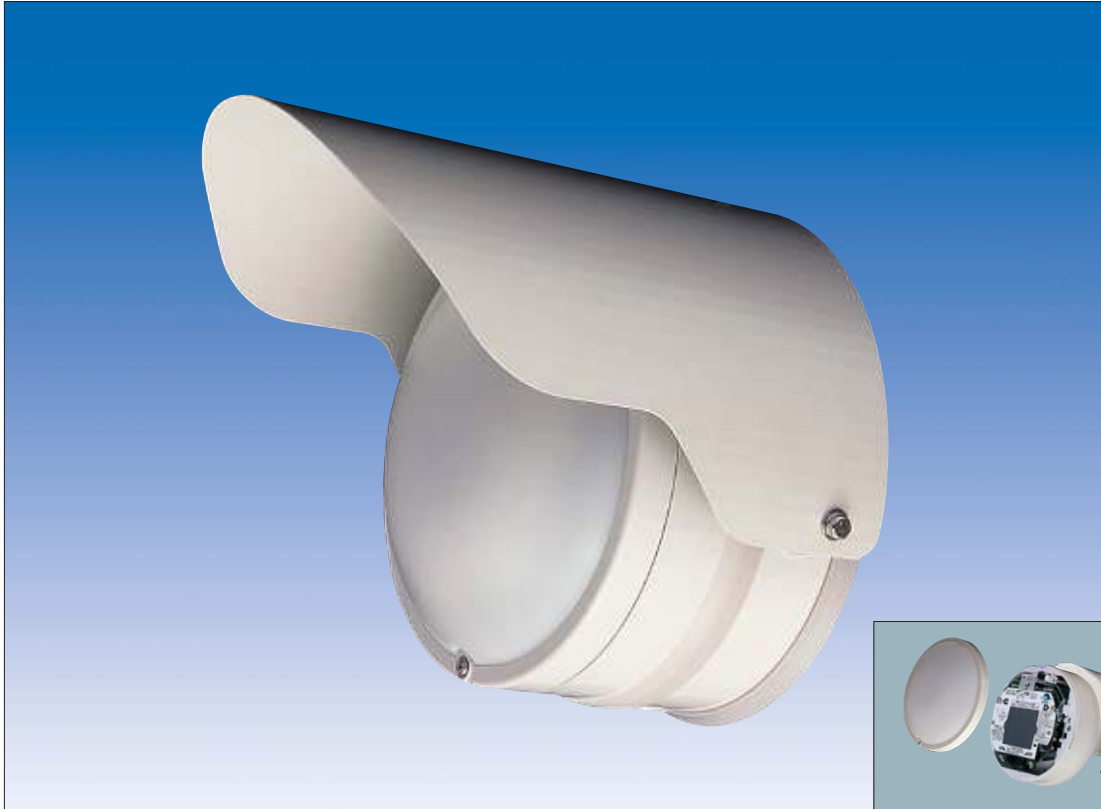


# PASSIVE INFRARED SENSOR

PIR-30WE (Wide angle protection)

PIR-50NE (Vertical curtain protection)  



**A choice of Wide Angle[100ft(30m)] and Long Range[165ft(50m)] Protection 11.5ft(3.5m) Mounting Height to prevent Vandalism. Hooded design for improved external use.**

## PROTECTION AREA ESPECIALLY DESIGNED TO PROTECT FROM HIGH MOUNTING POSITIONS

Offering a choice of Long Range narrow field, or Mid Range Wide Angle and equipped with N.C./N.O. output, these units are ideal for camera / light activation, or as components in security systems.

## ANTI-VANDALISM

With look down zones and a tilt switch, these units are protected from vandalism and suitable for any external applications.

## STRONG HOUSING CASES

The casings of these units are made from AES resin which improves the unit's durability and resistance to conditions such as wind, rain and direct sunlight.

The long steel hood helps protect the lens from direct sunlight and bird problems.

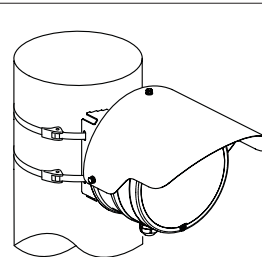
## FUNCTIONS

- L/C (LED control) function  
The unit is equipped with L/C function by which the LED function can be remotely activated/de-activated.  
L/C function enables simple walk test functionality after unit is installed.
- Tamper switch  
The units have independent tamper outputs activated by removal of cover.
- Sensitivity adjustment  
Sensitivity is adjustable between 30% and 170%.
- Pulse count  
Selectable from 1, 2 or 4.
- Optical Viewfinder  
Attached Viewfinder enables easy set up for zone coverage.

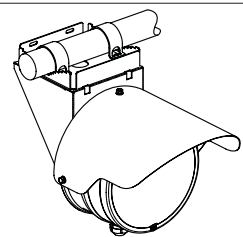
## RAIN-PROOF STRUCTURE

The units are constructed with weather-resistant seals to prevent water from entering.  
(For exposed wiring, use water-proof grommet or conduit.)

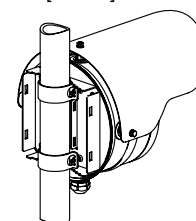
## OPTIONAL



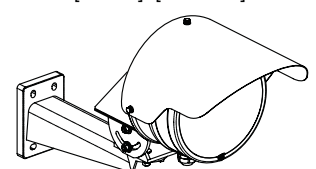
Pole mount option  
[BP-03]



Horizontal Pole mount option  
[BP-03]+[BL-8400]



Vertical Pole mount option  
[BP-03]

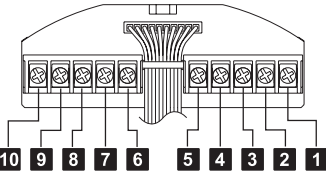


Wall mount option  
[WO-20]+[BL-8400]

# PASSIVE INFRARED SENSOR

## ■ TERMINAL ARRANGEMENT

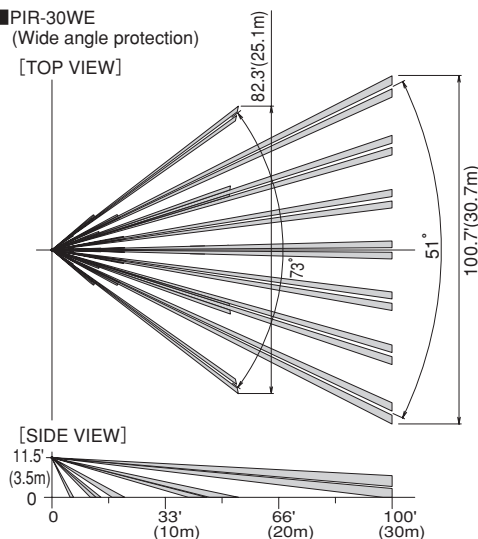
[Terminal arrangement]



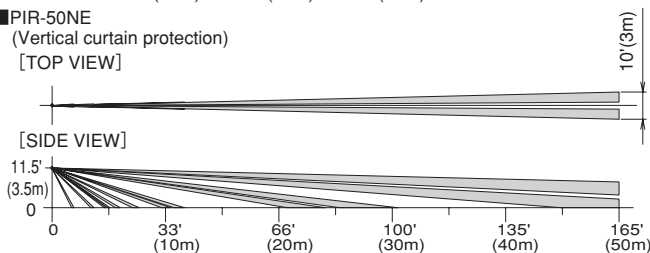
- 1 2** ● Power (non-polarity) 10 9 8 7 6 5 4 3 2 1  
: 9 to 30V DC 35mA Max.
- 3 4 5** ● Alarm output  
N.C. COM. N.O.  
: Dry contact (Semi-conductor) output (N.C./N.O.)  
: Protective resistor 3.3Ω  
: One-shot output at detection (Approx. 2sec.)  
: A series of continuous output when detecting low supply voltage (Until recovery)  
: Rating: 24V (AC/DC) 0.25A (resistive load)
- 6 7** ● Tamper output  
: Dry contact output (N.C.)  
: Real time output when the cover is detached from the unit.  
: Off delay output (Min. 2sec.) when the sensor is tilted.  
: Rating: 24V (AC/DC) 0.1A (resistive load)
- 8** ● L/C(LED control) input  
: Alarm LED lighting is controlled on the side of the input voltage (-).
- 9 10** ● Vacant

## ■ DETECTION AREA (Unit : ft(m))

■ PIR-30WE  
(Wide angle protection)  
[TOP VIEW]



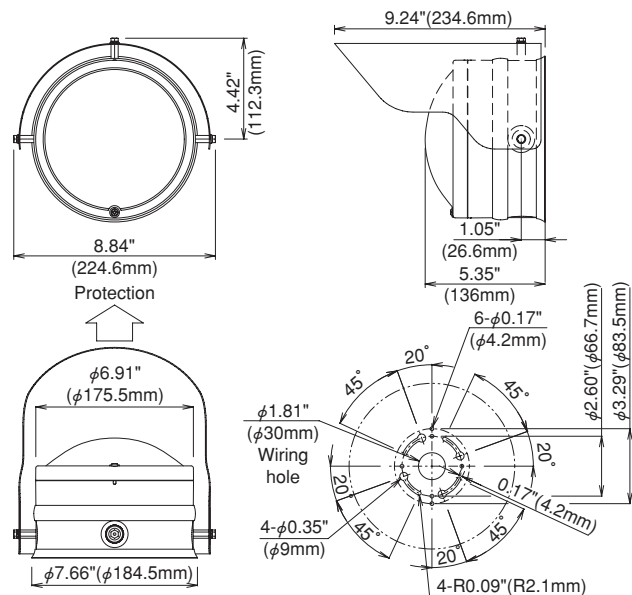
■ PIR-50NE  
(Vertical curtain protection)  
[TOP VIEW]



## ■ SPECIFICATIONS

Model	PIR-30WE	PIR-50NE
Detection system	Passive infrared	
Coverage	Wide angle 100' (30m) Max. 39 Zones(78 beams)	Vertical Curtain 165' (50m) Max. 12 Zones(24 beams)
Coverage adjustment	Vertical : 10° Horizontal : ±5°	
Mounting position	Indoor or outdoor wall	
Supply voltage	9 to 30V DC (non-polarity)	
Current consumption	35mA Max.	
Alarm output	<ul style="list-style-type: none"> <li>• Dry contact(semi-conductor) output (N.C./N.O.)</li> <li>• 24V (AC/DC) 0.25A (resistive load) (protective resistor 3.3Ω)</li> <li>• Warm up : Approx.1min.(No alarm condition)</li> <li>• One-shot output at detection (Approx.2sec.)</li> <li>• Continuously output when detecting low supply voltage.</li> </ul>	
Tamper output	<ul style="list-style-type: none"> <li>• Dry contact output : (N.C.)</li> <li>• 24V (AC/DC) 0.1A (resistive load)</li> <li>• Cover tamper output : Real time output</li> <li>• Tilt switch output : Off delay output(Min. 2sec.)</li> </ul>	
Alarm LED	<ul style="list-style-type: none"> <li>• Red LED</li> <li>• Blinks during warm up (Approx. 1Min.)</li> <li>• One shot lights (Approx. 2sec.) at detection</li> <li>• Continuously lights when detecting low supply voltage.</li> </ul>	
Functions	<ul style="list-style-type: none"> <li>• Low supply voltage alarm</li> <li>• Tamper signal Cover tamper / Tilt switch</li> <li>• LED control(L/C)</li> <li>• Alarm LED(ON/OFF)</li> <li>• Sensitivity adjustable between 30% and 170%</li> </ul>	
Pulse count	1/2/4 selectable	
Ambient temperature range	+4°F to +122°F(-20°C to +50°C) without condensation	
Wiring	Terminals	
Weight	56oz(1,600g)	
Appearance	Body : AES resin , Cover : PE resin	
Accessories	Water-proof grommet : 1pce, tapping screw : 2pcs	

## ■ EXTERNAL DIMENSIONS (Unit : inch(mm))



**Please Note** : This sensor is designed to detect intrusion and to initiate an alarm; it is not a burglary or a crime preventing device. TAKEX is not responsible for damage, injury or losses caused by accident, theft, Acts of God (including inductive surge by lightning) , abuse, misuse, abnormal usage, faulty installation or improper maintenance.

# TAKEX

### In Japan

Takekaka Engineering Co., Ltd.  
83-1, Gojo-sotokan,  
Higashino, Yamashina-ku,  
Kyoto 607-8156, Japan  
Tel : 81-75-501-6651  
Fax : 81-75-593-3816  
<http://www.takekaka-eng.co.jp>

### In the U.S.

Takekaka America Inc.  
1330, Orleans Drive,  
Sunnyvale,  
CA 94089, U.S.A.  
Tel : 408-747-0100  
Fax : 408-734-1100  
<http://www.takekaka.com>

### In Australia

Takekaka America Inc.  
Unit 16/35 Garden Road,  
Clayton 3168 Victoria,  
Australia  
Tel : 03-9546-0533  
Fax : 03-9547-9450

Takekaka America Inc.  
Brisbane office : 1/50 Logan  
Road, Woolloongabba  
Queensland  
4102, Australia  
Tel : 07-3891-3344  
Fax : 07-3891-3355

### In the U.K.

Takekaka Europe Ltd.  
Takekaka House, Aviary Court,  
Wade Road, Basingstoke,  
Hampshire, RG24 8PE, U.K.  
Tel : (+44) 01256-475555  
Fax : (+44) 01256-466268  
<http://www.takekacaeurope.com>