

# PHOTOELECTRIC BEAM SENSOR



PR-5B : Indoor 5m(16.5ft)



Utility model : 1, Design : 1 —Registered  
Utility model : 1 —Pending

*The popular PR-5B reflector beam is now available in a white enclosure for a more unobtrusive installation.*

*Furthermore, this new version is enhanced with extremely high immunity to external light.*

## REFLECTOR BEAM FOR SHORT DISTANCE PROTECTION

The PR-5B is designed for applications where a “beam break” sensor is desirable but running wire to both ends is impractical. Suggested applications include entrances and exits, corridors, staircases and as an annunciation device.

## COMPACT SIZE AND SMART DESIGN

Super slim, pocket calculator sized unit is designed for unobtrusive installation.

Its new white enclosure blends well with virtually all environments.

## EXCELLENT EXTERNAL LIGHT IMMUNITY

Our original design has been further enhanced by the addition of a new special filter which effectively eliminates interference from visible light rays.

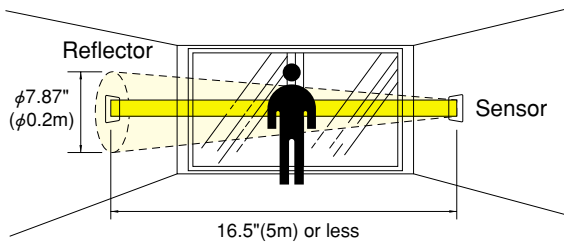
## EASY INSTALLATION

The reflector allows up to 30° ( $\pm 15^\circ$ ) angle variance in beam reception/reflection which makes installation very “forgiving” and can aid in situations where it is nearly impossible for the beam to reflect off the mirror “dead center”.

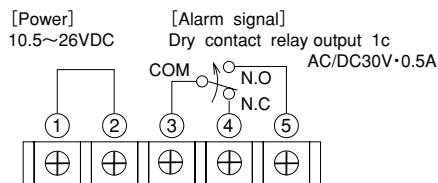
- ※Simple terminal arrangement provides for easy installation.
- ※Wide range of supply voltage, 10.5V to 26V DC (non-polarity)
- ※Flush mount plates available for both sensor and reflector (option), BP-5B, BP-5D, BP-5C
- ※“L” brackets available for both sensor and reflector (option), BL-5

# PHOTOELECTRIC BEAM SENSOR

## COVERAGE



## TERMINAL ARRANGEMENT



## OPTIONAL

- Flush mount plate (for sensor)

BP-5B



BP-5D



- Flush mount plate (for reflector)

BP-5C

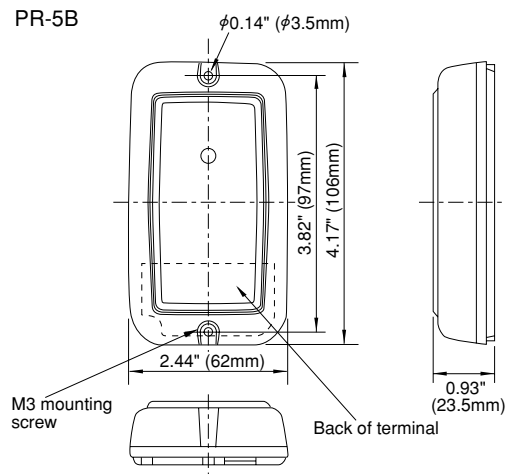


- L fittings (for sensor/reflector)

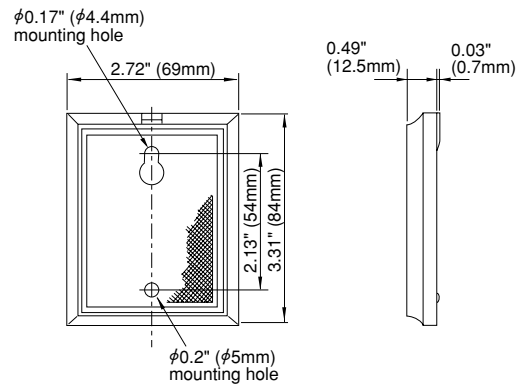
BL-5  
(Stainless)



## EXTERNAL DIMENSIONS



## PR-5B REFLECTOR



## SPECIFICATIONS

Model	PR-5B
Protected distance	16.5' (5m) or less
Light source	Infrared light emitting diode
Response time	50msec. or more
Alarm signal	Dry contact relay output S.P.D.T. form C. Contact capacity : AC/DC30V · 0.5A
Supply voltage	10.5—26V DC (Non-polarity)
Power consumption	37mA (at 12V DC)
Ambient temperature range	-20°C to +50°C (-4°F to +122°F)
Mounting positions	Indoor-entrance, exit, window, passageway
Weight (excluding accessories)	Sensor : 90g (3.2 oz) Reflector : 50g (1.8 oz)
Appearance	ABS resin (white)

The specifications are subject to change without notice.

**Please Note :** This sensor is designed to detect intrusion and to initiate an alarm; it is not a burglary or a crime preventing device. TAKEX is not responsible for damage, injury or losses caused by accident, theft, Acts of God (including inductive surge by lighting), abuse, misuse, abnormal usage, faulty installation or improper maintenance.

# TAKEX

### In Japan

Takenaka Engineering Co., Ltd.  
83-1, Gojo-sotokan,  
Higashino, Yamashina-ku,  
Kyoto 607-8156, Japan  
Tel : 81-75-501-6651  
Fax : 81-75-593-3816  
<http://www.takex-eng.co.jp>

### In the U.S.

Takex America Inc.  
1330, Orleans Drive  
Sunnyvale,  
CA 94086, U.S.A.  
Tel : 408-747-0100  
Fax : 408-734-1100  
<http://www.takex.com>

### In Australia

Takex America Inc.  
Unit 16/35 Garden Road,  
Clayton 3168 Victoria,  
Australia  
Tel : 03-9546-0533  
Fax : 03-9547-9450

Takex America Inc.  
Brisbane office : 1/50 Logan  
Road, Woolloongabba  
Queensland  
4102, Australia  
Tel : 07-3891-3344  
Fax : 07-3891-3355

### In the U.K.

Takex Europe Ltd.  
Taked House, Aviary Court,  
Wade Road, Basingstoke,  
Hampshire, RG24 8PE, U.K.  
Tel : (+44) 01256-475555  
Fax : (+44) 01256-462688  
<http://www.takex-europe.com>