

# SENSOR SPEAKER

PV-12 (Power:12VDC with output contact)



Recording  
&  
Playback

Indoor/Outdoor  
with Output  
contact



*Sensor Speaker is designed to detect movement when the sensor detects people or cars, it switches on the announcement recorded in the internal speech synthesised LSI.*

## ■ General Description

Sensor Speaker is the product which combines a passive infrared sensor to detect the infrared (=body temperature) emitted from a human body or vehicles and trigger the speech synthesis LSI. Sensor Speaker is designed for wide applications such as an announcement speaker in various institutions or alarm/warning speaker at dangerous areas or construction sites.

## Genuine speech synthesis device with PIR sensor.

It sends a message only when the built-in sensor detects people or cars. The horn speaker with max. 100dB/1m will be suitable for professional use.

## Easy recording and playback.

Max. recording time:8 sec. Simple recording by facing the microphone. Possible to record various messages any time, so applications are variable.

## Output contact convenient to trigger other systems.

Dry contact relay equipped. Easy to connect to lights, chimes buzzer, and camera system, etc.

## Others

- Sound volume adjustment.
- Memory back-up; max.20 days record reserved after power off.
- Rain proof.

## ■ For various applications:



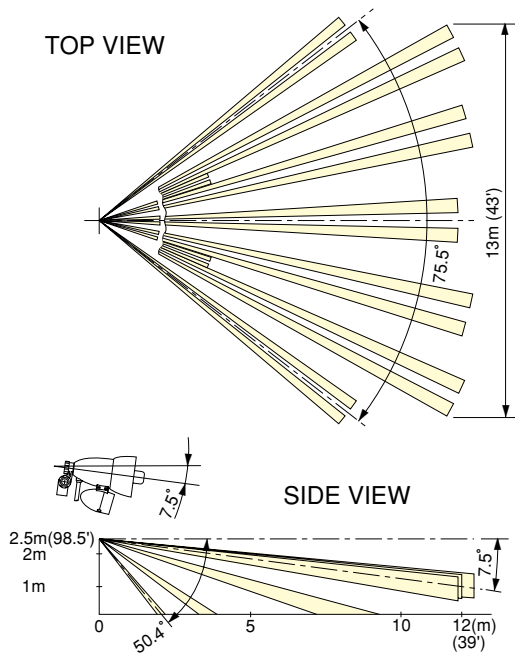
- Alarm/warning speaker at constructions site



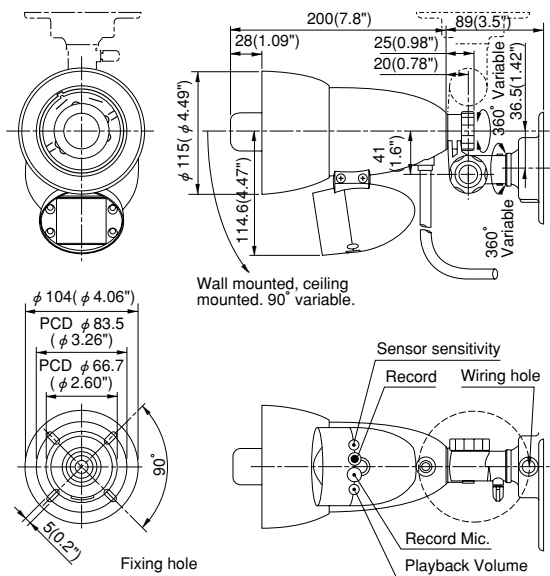
- Announcement speaker at houses

# SENSOR SPEAKER

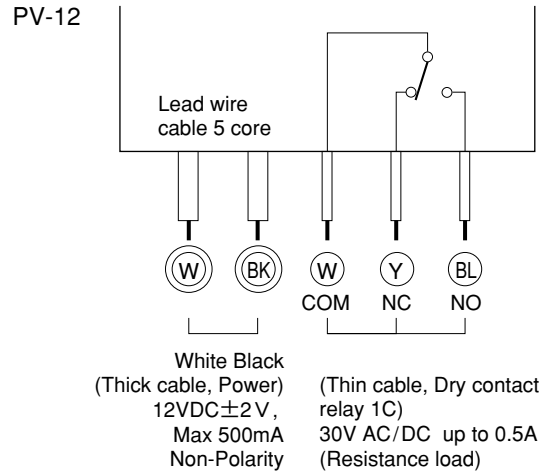
## ■ COVERAGE (m/feet)



## ■ EXTERNAL DIMENSIONS (Unit : inch(mm))



## ■ WIRING



## ■ SPECIFICATIONS

Description	Sensor Speaker
Model number	PV-12
Detection system	Passive infrared
Detection area	Wide angle (max. : 12m, 39°)
Sensitive zone	24 zones (12 pairs)
Sensitivity volume	Variable 20 to 180% (medium : 100%)
Power voltage	DC12V±2V (non-polarity)
Current consumption	(Standing by) below 20mA (Operating) below 500mA (Max. Vol.)
Output signal	Dry contact relay : 1C Contact capacity : AC/DC 30V, 0.5A (Resistive load) Output time : eight (8) seconds
Power timer	Sixty (60) seconds (no detection, recording O.K.)
Sound synthesis method	ADM method
Record method	Built-in condenser microphone
Record / Playback time	Eight (8) seconds Sound memory capacity : 256 Kbit S-RAM
Record memory back-up time	More than 20 days with non-electrified conditions (temp.=25°C, electrified over 30 minutes).
Sound output motion	One-shot eight (8) seconds playback motion by detection signal (no retrigger during playback).
Sound output power	Max. 2W Over 100dB (1m ahead) at a right record level.
Sound volume adjustment	Continuously variable from 0 to max.
Indication LED	[ Record ] Level indicator function Right : blink, underrate : LED on, overrate : LED off. [ Playback ] LED on during playback.
Ambient temperature	-20°C to +50°C (no dew, no frost)
Installation place	Indoor / outdoor (rainproof)
Wiring method	Lead wire (5 core), 40" / 1m attached.
Installation method	Screw on flange.
Weight	1050g, including wire / 100g.
External appearance	Black (PC resin)
Attachments	Installation flange, fixing screws.

※ The specifications are subject to change without notice.

**Please Note :** This sensor is designed to detect intrusion and to initiate an alarm; it is not a burglary or a crime preventing device. TAKEX is not responsible for damage, injury or losses caused by accident, theft, Acts of God (including inductive surge by lighting), abuse, misuse, abnormal usage, faulty installation or improper maintenance.

# TAKEX

### In Japan

Takenaka Engineering Co., Ltd.  
83-1, Gojo-sotokan,  
Higashino, Yamashina-ku,  
Kyoto 607-8156, Japan  
Tel : 81-75-501-6651  
Fax : 81-75-593-3816  
<http://www.takex-eng.co.jp>

### In the U.S.

Takex America Inc.  
1330, Orleans Drive  
Sunnyvale,  
CA 94086, U.S.A.  
Tel : 408-747-0100  
Fax : 408-734-1100  
<http://www.takex.com>

### In Australia

Takex America Inc.  
Unit 16/35 Garden Road,  
Clayton 3168 Victoria,  
Australia  
Tel : 03-9546-0533  
Fax : 03-9547-9450

Takex America Inc.  
Brisbane office : 1/50 Logan  
Road, Woolloongabba  
Queensland  
4102, Australia  
Tel : 07-3891-3344  
Fax : 07-3891-3355

### In the U.K.

Takex Europe Ltd.  
Takex House, Aviary Court,  
Wade Road, Basingstoke,  
Hampshire, RG24 8PE, U.K.  
Tel : (+44) 01256-475555  
Fax : (+44) 01256-466268  
<http://www.takexeurope.com>