



PHOTOELECTRIC BEAM TOWERS

TAD	360° Double sided Floor Mount
TAS	180° Single sided Floor Mount
TAW	180° Single sided Wall Mount

TA - 100
A - 150
SERIES - 200
TA - 300

FEATURES

CONSTRUCTION:

The central support spine is made from box-section anodized extruded aluminium, rigid and highly resistant to oxidation.

The spine profile is common to all models, allowing easy conversion from single to double-sided towers for system expansion.

Lateral tower side-supports are supplied as standard (floor-mount towers only) for solid mounting, with height adjustment available to avoid water-pooling. All Takex beam units (Transmitters and Receivers) and accessories (Heaters and Thermostats) are mounted on slide bolts located in vertical channels in the spine, allowing for easy height adjustment. Additionally, the Takex KH series Quad beams, specifically designed for use in towers, are supplied with PTKH 'quickfix' mounting brackets for fast, trouble-free assembly.

The tower covers are made from UV (Ultra-Violet) and vandal-resistant polycarbonate, completely opaque to disguise the mounting height and number of beams from observers, but transparent in the infra-red spectrum for maximum beam transmission. Sliding covers and tamper protected tower tops limit the ingress of moisture, dust and insects.

ACCESSORIES:

A wide range of accessories is available to suit the most demanding of site requirements:

- Heaters (PTH) and Thermostats (PTS) are recommended for sites where frost is anticipated, or to avoid the risk of condensation on the covers.
- Towers have concealed cable access and are tamper protected to prevent unauthorised interference.
- Pressure-sensitive anti-climb switches (TAPS) can be used where there is a risk of towers being used as footholds or jumping-off points to gain access.
- Floor-mounted towers can be rawl-bolted directly into set concrete, or mounting base bolt sets (CRFB) are available for setting into wet concrete.
- Lateral tower supports are provided as standard (floor-mount towers only), with larger supports and/or optional guy-wires available for unstable soil or exceptionally windy areas.

Takex Active Infrared Beams can be mounted on poles, walls, or any convenient structure. Where there is no mounting point, or for additional security (to disguise the mounting height and number of beams from observers), Takex TA Series Beam Towers are available as attractive but rugged Wall- or Floor-Mount units, as Single- or Double-Sided variants. Standard heights are 1m, 1.5m, 2m, and 3m, with other sizes available on request.



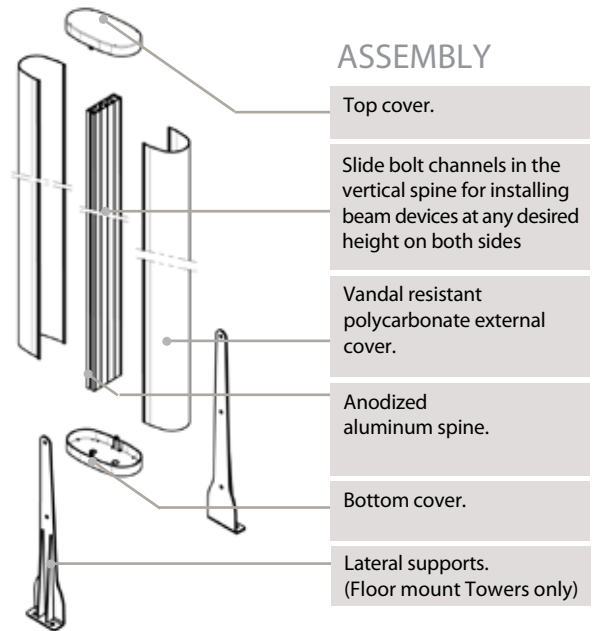
PHOTOELECTRIC BEAM TOWERS

TA

SERIES

- 100
- 150
- 200
- 300

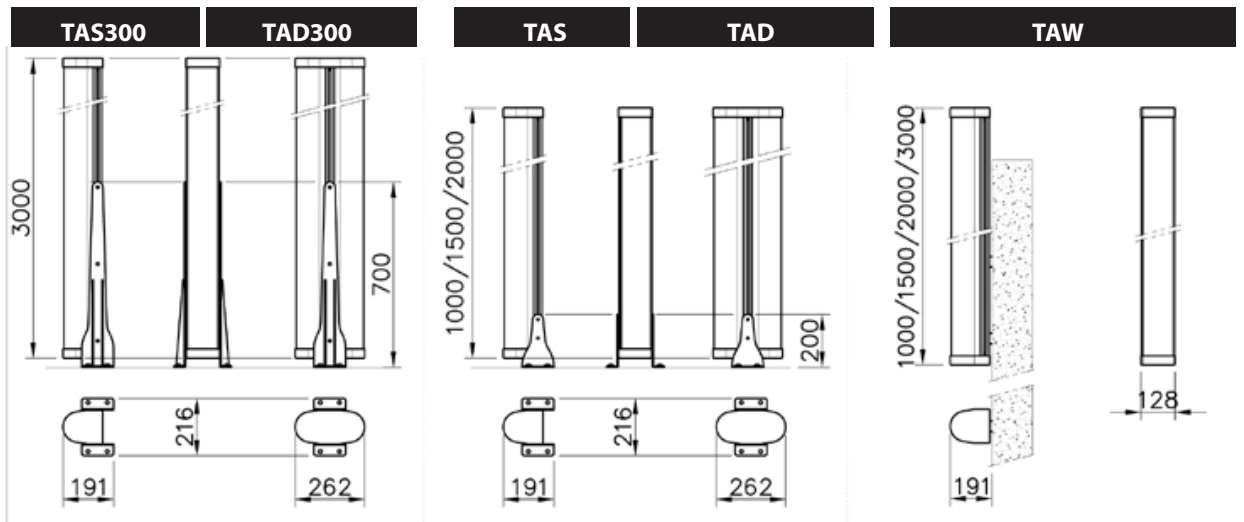
TAD100/150/200/300	360° Double sided Floor Mount : 1m, 1.5m, 2m, 3m
TAS100/150/200/300	180° Single sided Floor Mount : 1m, 1.5m, 2m, 3m
TAW100/150/200/300	180° Single sided Wall Mount : 1m, 1.5m, 2m, 3m



ASSEMBLY

- Top cover.
- Slide bolt channels in the vertical spine for installing beam devices at any desired height on both sides
- Vandal resistant polycarbonate external cover.
- Anodized aluminum spine.
- Bottom cover.
- Lateral supports. (Floor mount Towers only)

DIMENSIONS



ACCESSORIES

PTKH	PTS	PTH	CRFB	TAPS
'Quickfix' mounting bracket for TAKEX KH Beams.	Thermostat for use with PTH heaters (one thermostat required per Tower).	Heater 12VDC, 250mA to prevent the build-up of condensation or frost on the Tower covers. Use one PTH under each Beam unit.	Mounting Base Bolt Set for TAD and TAS Towers (optional - for setting into wet concrete).	Pressure-sensitive Anti-Climb switch for all TA series Towers (activation pressure approx. 20Kg).



COMPATIBLE BEAM SETS

TA Series Beam Towers will accept all Takex standard Twin and Quad beam sets, but for preference use Takex KH Series Quad beams, designed specifically (and only) for use in TA Towers, and supplied with PTKH 'Quickfix' mounting brackets for fast, trouble-free assembly.

PB50HF-KH	Up to 50m External / 100m Internal Quad Beam (4-Channel)
PB100HF-KH	Up to 100m External / 200m Internal Quad Beam (4-Channel)
PB200HF-KH	Up to 200m External / 400m Internal Quad Beam (4-Channel)
PB100AT-KH	Up to 100m External / 200m Internal Anti-Crawl Beam (4-Channel)

Due to on going product improvements, specifications may change without notice.

Note: These units are intended to be part of an intrusion detection system. TAKEX is not responsible for damages or loss caused by accidents, theft, acts of God (including inductive lightning), abuse, misuse, abnormal use, faulty installation or improper maintenance.



Takex Europe Ltd.
 Aviary Court, Wade Road
 Basingstoke, Hampshire RG24 8PE
tel: 01256 475555
fax: 01256 466268
email: sales@takex.com
web: www.takex.com