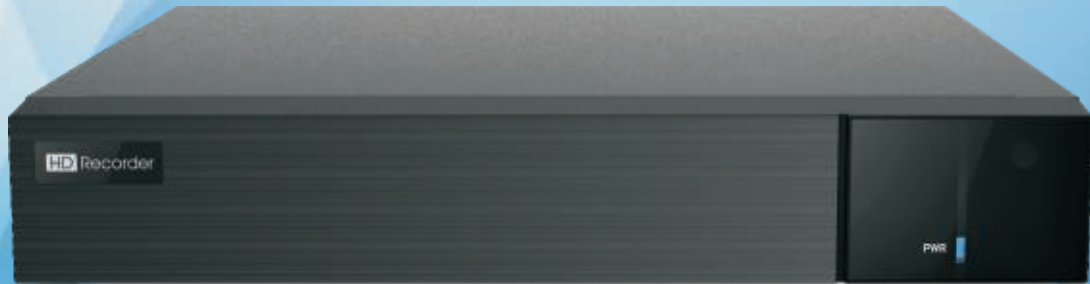


NVR

# 4/8 CH PoE NVR

6MP/5MP/4MP/3MP/1080P/720P HD PoE NVR



## TD-3100B1-0P



HD Output

HD IPC

DDNS

Network

PTZ

Audio

MIC

Mobile

CMS

USB

Mouse

E-mail

STD

VCA

This series of products supports 4/8 CH 6MP/5MP/4MP/3MP/1080P/1280×1024/960P/720P high definition IP input, which adopts the most advanced SOC technique to ensure high definition recording in each channel and realize outstanding robustness of the system.

This series of products integrates with 4/8 PoE network ports and supports 4/8 CH IPC direct connection to NVR, simultaneous 4/8 CH playback and 1080P high definition display. The series of products can meet different security requirements of home, financial, commerce, enterprise, transportation and government, etc.



[en.tvt.net.cn](http://en.tvt.net.cn)

For more information, please visit our website

### Shenzhen TVT DIGITAL TECHNOLOGY CO., LTD.

Address: 23<sup>rd</sup> Floor, Block B4, Building NO.9, Shenzhen Bay Eco-Technology Park, Nanshan District, Shenzhen, Guangdong Province, P.R.China

Tel: +86-755-36995888

Web site: <http://en.tvt.net.cn>

Fax: +86-755-33104777

E-mail: [overseas@tvt.net.cn](mailto:overseas@tvt.net.cn)

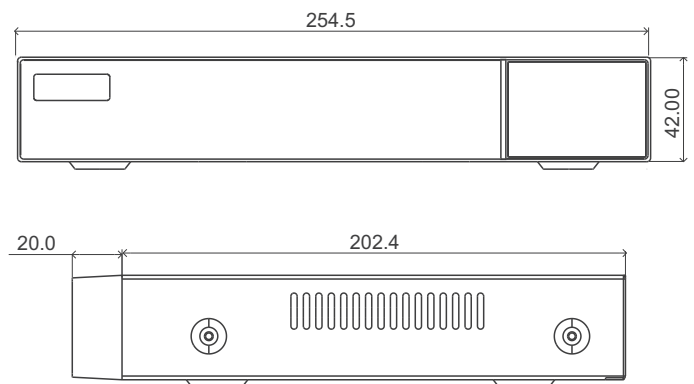
## SPECIFICATIONS

| Model               |                          | TD-3104B1-4P   | TD-3108B1-8P         |
|---------------------|--------------------------|--|----------------------|
| System              | OS                       | Embedded Linux   |                      |
| Video               | Network Input            | 4 CH IPC input   | 8CH IPC input        |
|                     | Network Input Resolution | 6MP/5MP/4MP/3MP/1080P/1280×1024/960P/720P/960H/D1/CIF  |                      |
|                     | Output                   | HDMI × 1 : 1920 × 1080 / 1280 × 1024 / 1024 × 768<br>VGA × 1 : 1920 × 1080 / 1280 × 1024 / 1024 × 768                          |                      |
|                     | Compression              | Standard H.265 / H.264   |                      |
| Audio               | Network Input            | 4 CH IPC audio input   | 8 CH IPC audio input |
|                     | 2-way Audio              | No   |                      |
|                     | Local Output             | No (HDMI supports the audio output)  |                      |
|                     | Compression              | G.711(U/A)   |                      |
| Record              | Record Stream            | Dual stream recording  |                      |
|                     | Resolution               | 6MP/5MP/4MP/3MP/1080P/1280×1024/960P/720P/960H/D1/CIF  |                      |
|                     | Frame Rate               | 6MP @20fps(NTSC/PAL); 5MP or lower @30fps/25fps(NTSC/PAL)  |                      |
| Playback            | Simultaneous Playback    | Max. 4 CH  | Max. 8 CH            |
|                     | Search                   | Time slice / time / event / tag search / smart search  |                      |
|                     | Smart Search             | Highlighted color to display the camera record in a certain period of time, different colors refers to different record events |                      |
|                     | Function                 | Play, pause, FF, FB, digital zoom, etc.  |                      |
| Decoding Capability | Live View/ Playback      | 1CH 6MP;<br>4CH 720P   |                      |
| Alarm               | Mode                     | Manual, sensor, motion, exception, smart events  |                      |
|                     | Input                    | Supports IPC alarm input   |                      |
|                     | Output                   | Supports IPC alarm output  |                      |
|                     | Triggering               | Record, snapshot, buzzer, preset, e-mail, etc.   |                      |
| Network             | Interface                | RJ 45 100Mbps × 1  |                      |
|                     | Protocol                 | TCP / IP, PPPoE, DHCP, DNS, DDNS, UPnP, NTP, SMTP, HTTP, HTTPS, 802.1x   |                      |
|                     | Incoming Bandwidth       | 28 Mbps  | 40 Mbps              |
|                     | Outgoing Bandwidth       | 28 Mbps  | 40 Mbps              |
| Mobile Device       | OS                       | iOS, Andriod   |                      |
| Storage             | HDD Interface            | SATA2.0 × 1, max 8T  |                      |
| Backup              | Local Backup             | U disk, USB mobile HDD   |                      |
|                     | Network Backup           | Yes  |                      |
| Port                | USB                      | USB 2.0 × 2  |                      |
|                     | Remote Controller        | Optional   |                      |
| PoE                 | PoE Ports                | 100M RJ45 × 4  | 100M RJ45 × 8        |
|                     | Standards                | IEEE802.3af  |                      |
|                     | Output Power             | ≤ 40W  | ≤ 80W                |
| Others              | Power Supply             | DC 48V/1.25A   | DC 48V/2.5A          |
|                     | Consumption              | < 6W (without HDD)   |                      |
|                     | Dimensions (mm)          | 255 × 222 × 42 (W × D × H)   |                      |
|                     | Working Environment      | -10 ~ 50 °C , 10% ~ 90% humidity   |                      |

## Features

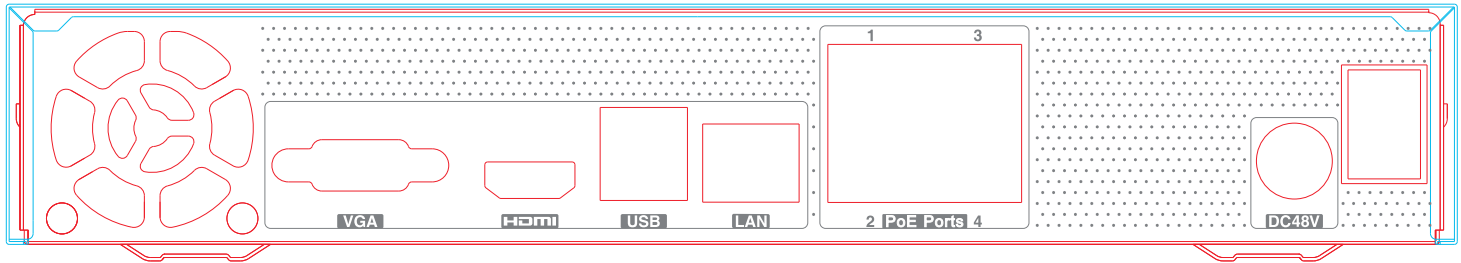
- Support 4/8 CH 6MP/5MP/4MP/3MP/1080P/1280×1024/ 960P/720P/960H/ DI/CIF IP video input
- Adopt standard H.265 and H.264 high profile compression format to get high-quality video at much lower bit rate
- Intuitive and user-friendly Graphic User Interface ( GUI ), Windows style operation by mouse
- Multi-mode recording: manual / timer / motion / sensor/smart events
- Playback : 4 /8CH simultaneous playback
- Search : time slice, time, event, tag, smart search
- Support multiple VCA (Video Content Analytics) events, such as object abandoned/missing, region intrusion, tripwire, video tampering, etc.
- Support POS information overlay on live view and playback
- Express and flexible backup via USB, network and so on
- Pentaplex : preview, record, playback, backup and remote access
- DHCP, DDNS, PPPoE network protocol
- Remote control via Web Client or CMS : preview, playback, backup, PTZ and configuration
- 4/8 PoE network ports, support IPC direct connection to NVR; support PoE power supply
- Dual stream technology for local storage with high definition, remote network transmission and remote surveillance with mobile device
- Multi-user online simultaneously
- Authorization management, log view and device status view
- 1080P output, true high resolution display
- Support NAT function and QRCode scanning by mobile phones
- Powerful mobile surveillance by smart phones with iOS and Android OS

## DIMENSIONS



## Rear Panel

TD-3104B1-4P



TD-3108B1-8P

