

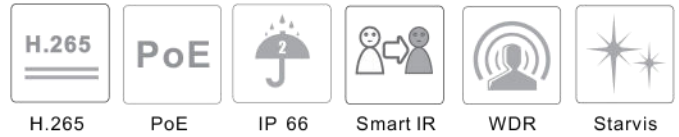


Wall
Mount
Bracket
Included

TD-8423IS (PE/20M/AR15)

Key features;

- STARVIS Sony Sensor
- Starlight performance Colour: 0.006 lux @F1.6
- 20× optical zoom lens, Focal length 5.5mm - 110mm
- 25fps@ 2 Mega-Pixel (1080P)
- Support PoE (30W)
- Smart IR with distance to 150m
- True Wide Dynamic Range
- 4KV Lightning Protection



System Overview

Featuring 20x optical zoom lens and accurate pan/tilt/zoom performance, the TVT Speed Dome camera provides a wide monitoring range with outstanding image detail during the day and Starlight performance during the night especially in low illumination applications. The TVT Speed Dome camera delivers 2Mega-Pixel 1080P full high-definition resolution at 25 frames per second. The camera is equipped with smooth PTZ control and 4KV lightning protection, meeting all demands of a video surveillance speed dome camera.

Features

● High Efficiency Video Coding (H.265)

The H.265 (ITU-T VCEG) video compression standard offers double the data compression ratio at the same level of video quality, and substantially improved video quality at the same bit rate, compared to older video compression technologies. H.265 offers such impressive compression by expanding the pattern comparison and different coding, improving motion vector prediction and motion region merging, and incorporating an additional filtering step called sample-adaptive offset filtering.

● Smart IR (2.0)

The product updates its IR lighting sub-system to Smart IR 2.0. The Infrared illumination lens adopts new freedom surface design pattern, and improves the uniformity of illumination above 0.5, compared to 0.3 of the older TIR fashion. And the new hardware is able to accurately adjust the IR LED driving current, step by step. Mixing the auto-exposure algorithm and IR LED control algorithm together makes the IR brightness control self-adaptive and no more over-exposed for most conditions.

● Smart TM 1.0 (Thermal Management)

The camera has built-in temperature sensor, high-efficient fan, as well as high-efficient heater. The camera's monitoring system uses smart control algorithm to adjust the fan's speed and heater's power to ensure the camera's mechanisms and hardware are suitable in wide range of temperatures

● Superior Image Quality

The product adopts high quality 20x optical zoom lens and Sony's latest STARVIS 1080P image sensor so that it can capture vivid colored images in low light conditions, utilizing Sony sensor it avoids Smearing when exposed to very bright objects, such as street lights and car's bright headlights, the Sony Sensor outputs high-quality images during the day or night. The camera adopts True WDR for those applications where the camera needs to see exactly what's going on in those dark areas.

● Working Environment and Interoperability

This product is rated for use in temperatures from -30 °C to +55 °C, under 90% humidity. Subjected to rigorous dust and water immersion tests and certified to the IP66 Ingress Protection rating, makes it worthy for the majority outdoor applications. The special design eyebrow upon the lens window, which reduces the lens temperature and avoids the image from flaring when the sun directly is glaring into the camera lens.

This product allows for 4KV lightning rating, which provides effective protection against lightning. The camera conforms to the ONVIF specifications, ensuring interoperability between network video products regardless of manufacturer.



4" 2MP 20x Zoom Starlight 150m IR Network Speed Dome Camera

SPECIFICATION TD-8423IS

Camera Module	
Image Sensor	1 / 2.8 "progressive scan CMOS
Min. Illumination	Color: 0.006 lux @F1.6, AGC ON B/W: 0.003lux @F1.6, AGC ON 0 lux with IR
White Balance	Auto/Manual/ATW (Auto-tracking WB)/Indoor/Outdoor/Fluorescent Lamp/Sodium Lamp
S/N ratio	More than 50dB
Gain	Auto/Manual
Shutter Time	50Hz: 1 / 1 s ~ 1 / 25, 000 s; 60Hz: 1 / 1 s ~ 1 / 30, 000 s
Day&Night	IR Cut Filter
Privacy Mask	4 programmable privacy masks
Focus Mode	Auto/Manual
WDR	True WDR, 2 frames in one
Lens	
Focal Length	5.5-110mm, 20x optical zoom
Zoom Speed	Approx. 3.5s (optical lens, Wide-TELE)
Field of View	Horizontal field of view: 52.01° to 1.78° (Wide-TELE) Vertical field of view: 29.30° to 3.15° (Wide-TELE) Diagonal field of view: 59.79° to 3.62° (Wide-TELE)
Working Distance	Wide: 1.0m~INF Tele: 1.5m~INF
Aperture Range	F1.6 (Wide) to F3.5 (TELE)
IR	
IR Distance	150m
Smart IR	Support
PTZ	
Pan Range	360° endless
Pan Speed	Configurable, from 0.1°/s to 80°/s; Preset speed: 80°/s
Tilt Range	From -5° to 90° (auto-flip)
Tilt Speed	Configurable, from 0.1°/s to 80°/s; Preset speed: 80°/s
Proportional Zoom	Support
Preset	360
Cruise	8 cruises, up to 16 presets for each cruises
Track	4 tracks, record time over 3 minutes for each track
Power-off Memory	Support
Action Mode	Preset/Cruise/Track/Auto Scan/Random Scan
3D Positioning	Support
PTZ Position Display	Support
Scheduled Task	Preset/Cruise/Track/Random Scan/Boundary Scanning/Dome Reboot
Compression Standard	
Video Compression	H.265 / H.264 / MJPEG
H.264 Type	Baseline Profile/Main Profile/High Profile
H.265 Type	Main Profile
Video Bit Rate	128Kbps ~ 6Mbps
SVC	Support
Smart Features	
Basic Event	Motion Detection, Video Tampering Detection, Exception
Smart Event	Object Removal Detection, Intrusion Detection, Line Crossing Detection, People Intrusion and People Counting

Smart Record	ANR (Automatic Network Replenishment)
Image	
Max. Resolution	1920×1080
Main Stream	50Hz:25fps(1920×1080, 1280×720) 60Hz:30fps(1920×1080, 1280×720)
Sub Stream	50Hz:25fps(1280×720, D1, CIF) 60Hz:30fps(1280×720, D1, CIF)
Third Stream	50Hz:25fps(D1, 480×240, CIF) 60Hz:30fps(D1, 480×240, CIF)
Image Enhancement	WDR/HLC/BLC/3D DNR/Defog
Network	
Network Storage	Built-in micro SD card slot, up to 128GB
Protocols	HTTP, HTTPS, IPv4/IPv6, 802.1x, QoS, FTP, SMTP, UPnP, SNMP, DNS, DDNS, NTP, RTSP, RTCP, RTP, TCP/IP, UDP, IGMP, ICMP, DHCP, PPPoE
API	ONVIF, support TVT API and third-party management platform
Simultaneous Live View	Up to 6 channels
User/Host	Up to 16 users, 3 levels: Administrator, Advanced User and Normal User
Security Measures	User authentication (ID and PW), Host authentication (MAC address); HTTPS encryption, IEEE802.1x port-based network access control; IP address filtering
Client	VMS-9000 Client
Web Browser	IE8-11, Chrome 31.0 to 44, Firefox 30.0 to 51
Interface	
Network Interface	1 RJ45 10M/100M Ethernet, PoE (802.3at)
General	
Power	DC12V and PoE 30W (802.3at, class 4); Max.15W(heater : Off); Max.20W(heater : On)
Working Environment	-30°C~55°C(-22°F~131°F), ≤ 90% RH
Protection Level	IP 66 Standard, TVS4000V Lightning Protection, Surge Protection and Voltage Transient Protection
Material	ADC12, PC, PC+10%GF
Dimensions	Φ 173mm × 247mm (Φ6.8" × 9.7")
Weight	Approx. 2.1KG (4.63lb)

ORDERING INFORMATION

Type	Model	Description
2MP PTZ Camera	TD-8423IS(PE/20M/AR15)	2MP 20x 150m IR PTZ PoE Camera
Accessories	TD-YZJ0807	Ceiling Mount
	TD-YZJ0808 (Included)	Wall Mount
	TD-YZJ0501	Pole Mount
	TD-YZJ0601	Corner Mount
	DC12V/2A (Included)	Power Adapter

TVT 4" 2MP 20x Zoom Starlight 150m IR Network Speed Dome Camera

ACCESSORIES

NB: Wall Mount and Power Adaptor are supplied with camera



TD-YZJ0808
Wall Mount
(Included)



TD-YZJ0807
Ceiling Mount



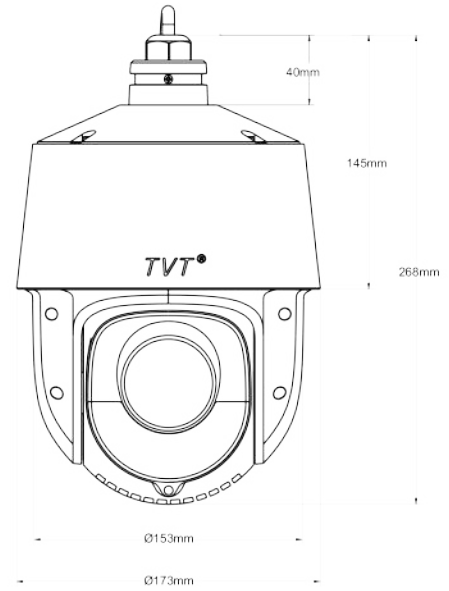
TD-YZJ0501
Pole Mount



TD-YZJ0601
Corner Mount



DC12V/2A
Power Adaptor
(Included)



DIMENSIONS

TD-YZJ0807+ Mount Adaptor Ceiling Mount	TD-YZJ0808 Wall Mount	TD-YZJ0808+TD-YZJ0501 Pole Mount	TD-YZJ0808+TD-YZJ0601 Corner Mount