



TD-YXH0204C

Junction Box

Features

- Aluminum alloy material with surface spray treatment
- Camera cables can be perfectly collected to the junction box so that the installation looks more elegant
- Bottom inlet and side inlet
- Junction box for dome cameras
- Available for wall or ceiling mounting

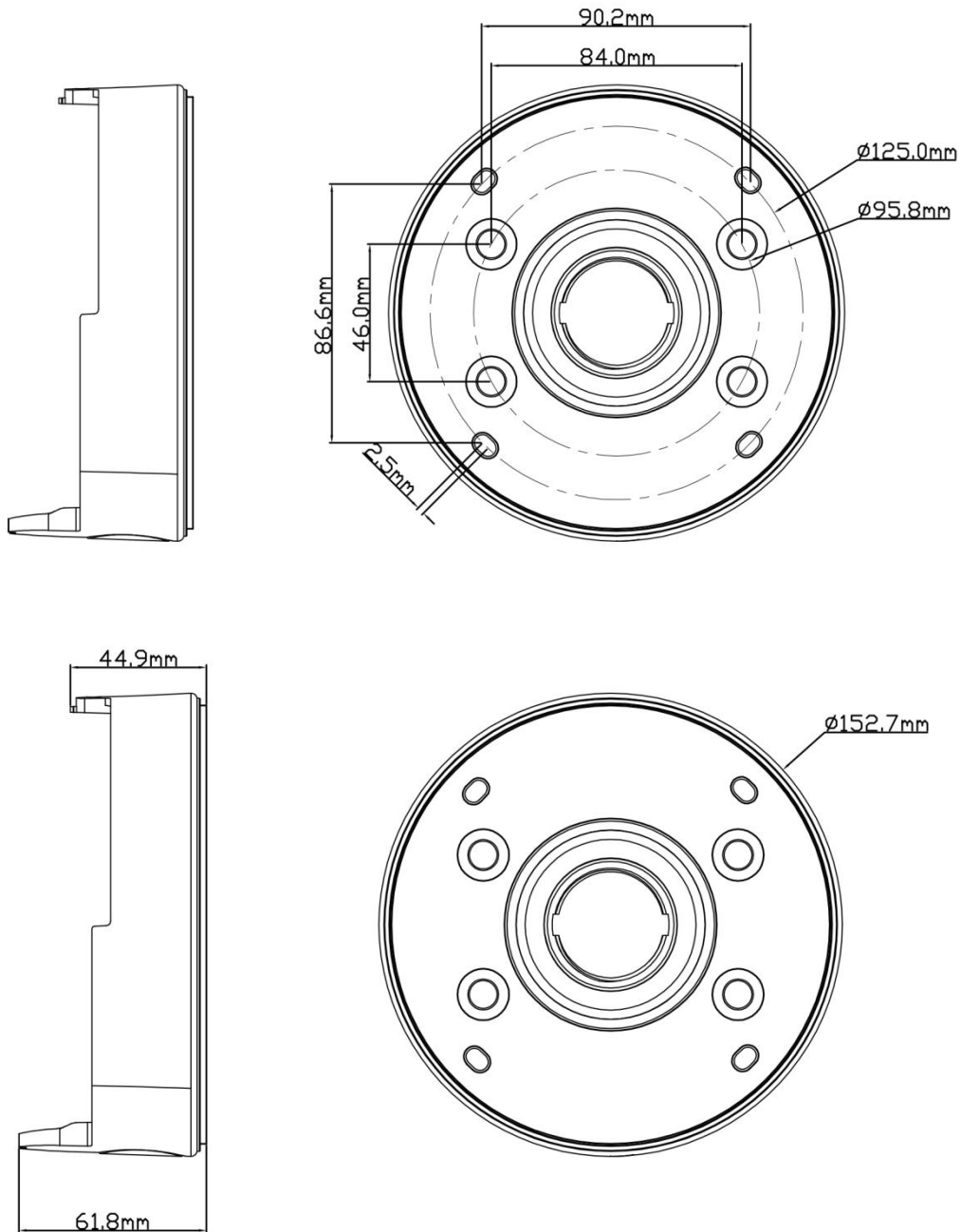
Specifications

Model	HD-YXH0204C
Material	Aluminum alloy
Color	White
Protection Grade	IP54
Min. Packaging Quantity	20
Packing Size	345x323x337mm
Dimension	152.7x61.7mm
Load Bearing	The wall must be strong enough to withstand at least 3 times the weight of the camera and the junction box
Net Weight	300g
Working Temperature	-40°C~+60°C(-40°F~+140°F)
Working Humidity	10%~90%

Available Model

Available Model	HD-YXH0204C	Junction Box
-----------------	-------------	--------------

Dimensions



Shenzhen TVT Digital Technology Co., LTD.

Address: 23rd Floor, Block B4, Building NO.9, Shenzhen Bay Eco-Technology Park, Nanshan District, Shenzhen, Guangdong Province, P.R. China

Tel: +86-755-36995888

Fax: +86-755-33104777

Website: <http://en.tvt.net.cn>

E-mail: overseas@tvt.net.cn