



TD-YZJ0203

Wall Mounting Bracket

Features

- Aluminum alloy material with surface spray treatment
- Camera cables can be perfectly collected to the bracket so that the installation look more elegant
- Wall mounting bracket for dome cameras
- Dust-proof design

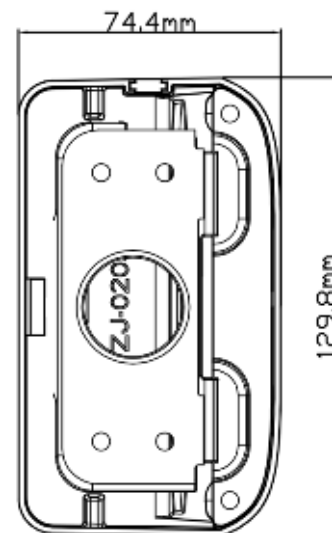
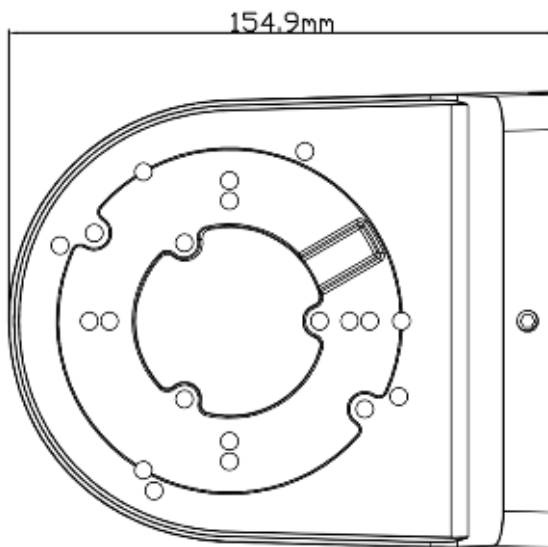
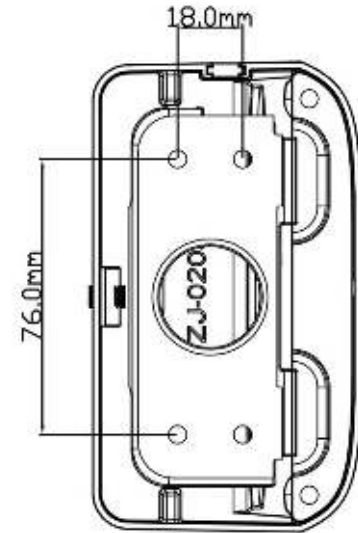
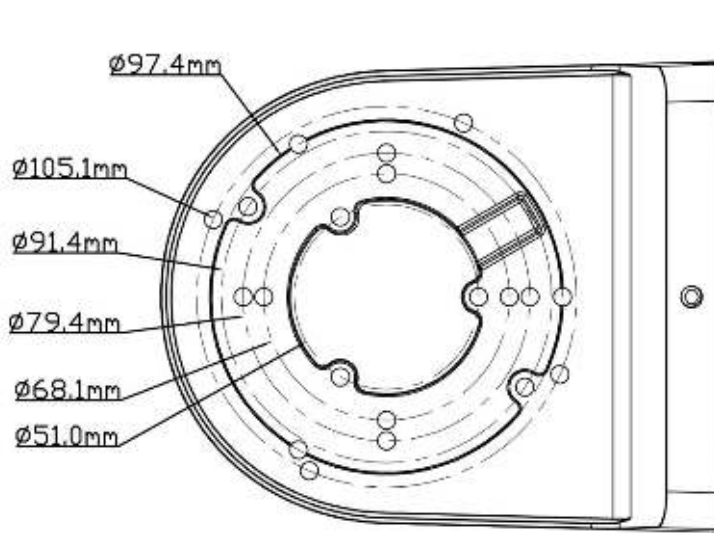
Specifications

| | |
|-------------------------|--|
| Model | HD-YZJ0203 |
| Material | Aluminum alloy |
| Color | White |
| Min. Packaging Quantity | 20 |
| Packing Size | 450x280x340mm |
| Dimension | 129.8x154.9x74.4mm |
| Net Weight | 527g |
| Load Bearing | The wall must be strong enough to withstand at least 3 times the weight of the camera and the bracket. |
| Working Temperature | -40°C~+60°C(-40°F~+140°F) |
| Working Humidity | 10% ~ 90% |

Available Model

| | | |
|-----------------|------------|-----------------------|
| Available Model | HD-YZJ0203 | Wall mounting bracket |
|-----------------|------------|-----------------------|

Dimensions



Shenzhen TVT Digital Technology Co., LTD.

Address: 23rd Floor, Block B4, Building NO.9, Shenzhen Bay Eco-Technology Park, Nanshan District, Shenzhen, Guangdong Province, P.R. China

Tel: +86-755-36995888

Website: <http://en.tvt.net.cn>

Fax: +86-755-33104777

E-mail: overseas@tvt.net.cn