



## **TD-YZJ0701E**

### **In-Ceiling Mounting Bracket**

#### **Features**

- SECC & plastic material with surface spray treatment
- In-ceiling mounting bracket for cameras

#### **Specifications**

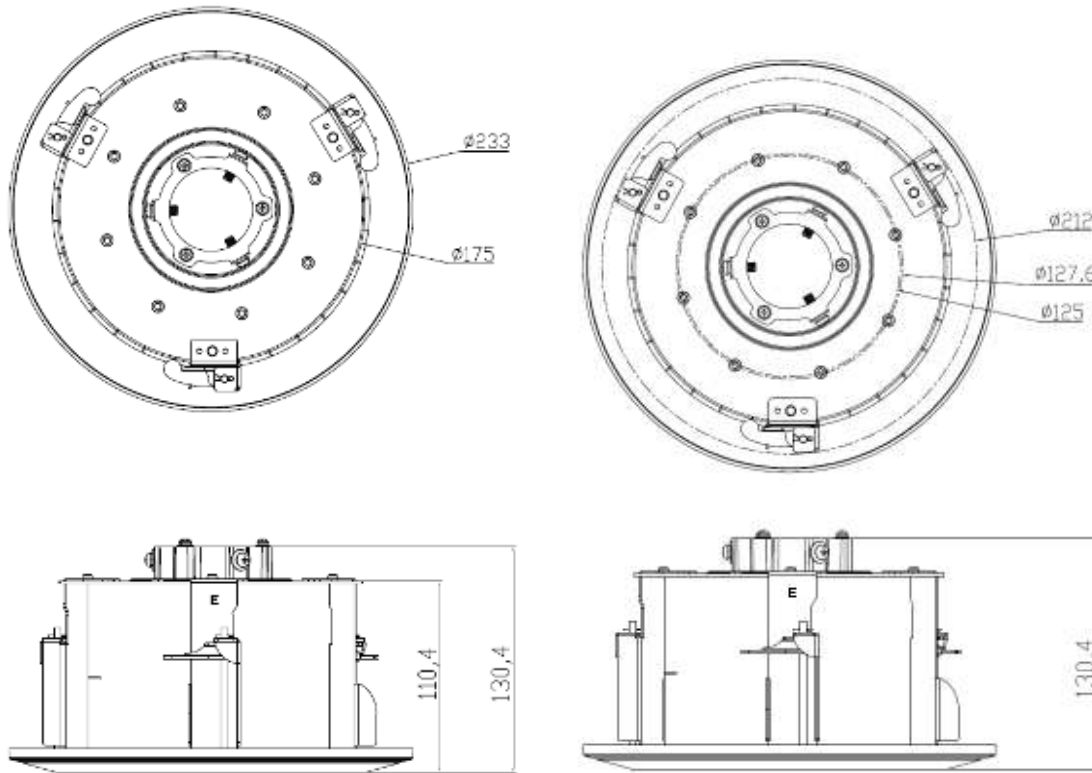
Model	HD-YZJ0701E
Material	SECC & Plastics
Color	White
Min. Packaging Quantity	4
Packing Size	550x280x320mm
Dimension	233x233x130.4mm
Net Weight	720g
Load Bearing	The wall must be strong enough to withstand at least 3 times the weight of the camera and the bracket.
Working Temperature	-40°C~+60°C(-40°F~+140°F)
Working Humidity	10% ~ 90%

#### **Available Model**

Available Model	HD-YZJ0701E	In-Ceiling mounting bracket
-----------------	-------------	-----------------------------

**Dimensions**

Unit: mm



**Shenzhen TVT Digital Technology Co., LTD.**

Address: 23<sup>rd</sup> Floor, Block B4, Building NO.9, Shenzhen Bay Eco-Technology Park, Nanshan District, Shenzhen, Guangdong Province, P.R. China

Tel: +86-755-36995888

Website: <http://en.tvt.net.cn>

Fax: +86-755-33104777

E-mail: [overseas@tvt.net.cn](mailto:overseas@tvt.net.cn)