



## SL183 Varifocal Ultra wide No Distortion 5 Megapixel Lens



### LINEAR OPTICAL TECHNOLOGY

- ✓ Patented Linear Optical Technology® provides **ultra wide** field of view adjustable up to 120° for greater coverage with fewer cameras
- ✓ **EasyZoom™** allows the user to optimize the field of view with minimal need for refocusing
- ✓ IR corrected for true **Day/Night** cameras
- ✓ Supports **multi megapixel resolution** cameras for demanding applications
- ✓ Compatible with 1/3", 1/2.7" HD, 1/2.5", 1/2.3" 4K\* and 1/2"\*\*\* sensor sizes



Typical wide angle lens

- ✓ With **slip ring** for ease of installation & positioning

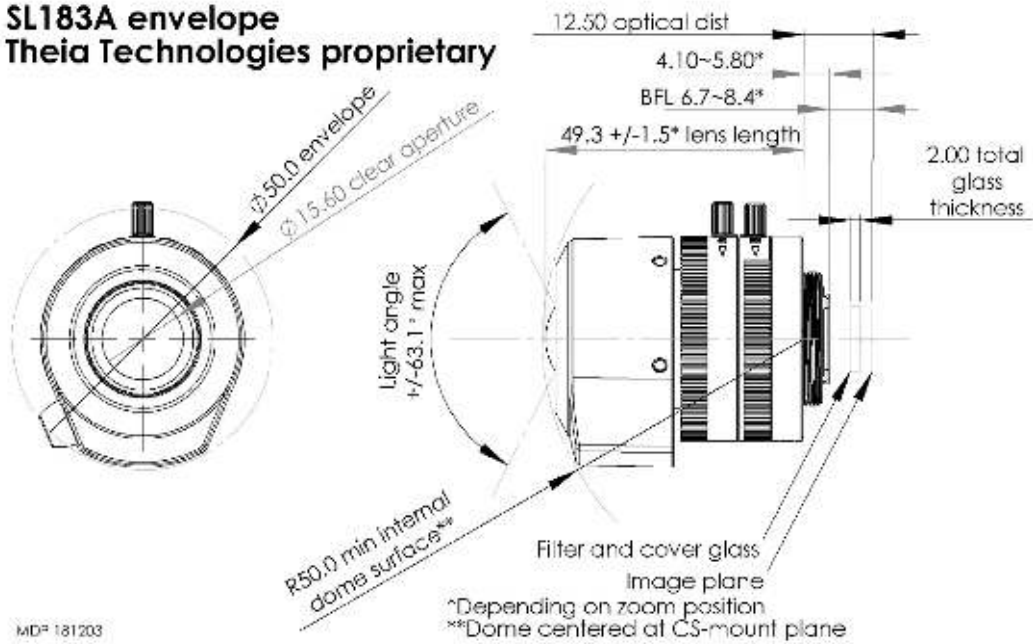
| Lenses                     | SL183A<br>DC-autoiris                                      | ML183A<br>DC-autoiris | SL183M<br>Manual iris | ML183M<br>Manual iris |
|----------------------------|--|-----------------------|-----------------------|-----------------------|
| Focal length               | 1.8-3.0mm  |                       |                       |                       |
| Linear Optical Technology® | Yes (Note: this technology causes the image to be flipped) |                       |                       |                       |
| Distortion                 | <1%  |                       |                       |                       |
| Resolution                 | 5+ megapixel   |                       |                       |                       |
| F/#                        | F/1.8 to close   |                       |                       |                       |
| IR Correction              | Day/Night  |                       |                       |                       |
| Focus range                | 0.5m to ∞  |                       |                       |                       |
| EasyZoom™                  | Yes  |                       |                       |                       |
| Mount                      | CS   | C                     | CS                    | C                     |
| Iris cable length          | 30cm   | 30cm                  | N/A                   | N/A                   |
| Operating temperature      | -20C to 60C (<70% humidity, non-condensing)                |                       |                       |                       |
| Storage temperature        | -20C to 70C (<90% humidity, non-condensing)                |                       |                       |                       |

| Sensor size       | 1/3"       | 1/2.7" HD  | 1/2.5"      | 1/2.3" 4K*  |
|-------------------|------------|------------|-------------|-------------|
| Field of view (H) | 105° - 77° | 116° - 89° | 115° - 88°  | 120° - 92°  |
| Field of view (V) | 90° - 62°  | 84° - 57°  | 99° - 71°   | 104° - 76°  |
| Field of view (D) | 117° - 90° | 123° - 96° | 126° - 100° | 130° - 105° |

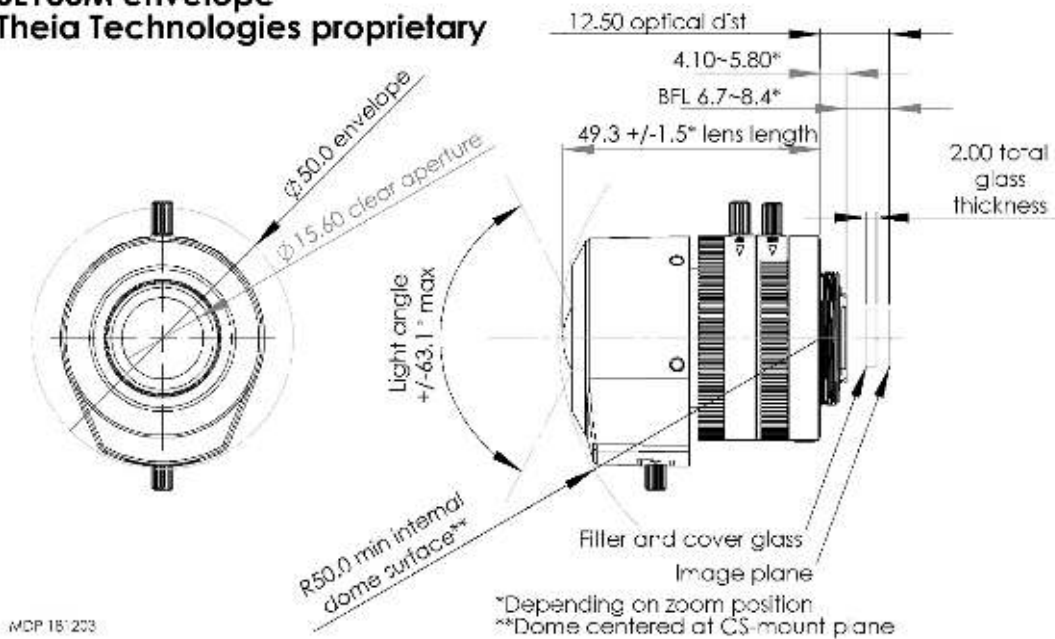
\*4K format = 4000 x 2000 pixels

\*\* On 1/2" sensor crop image vertically to eliminate dark corners

**SL183A envelope**  
Theia Technologies proprietary



**SL183M envelope**  
Theia Technologies proprietary



For more information, contact

**Theia Technologies**  
info@TheiaTech.com  
[www.TheiaTech.com](http://www.TheiaTech.com)  
Phone: +1-503-570-3296