

# SMWI

## Wedge Housing

Surface mount wedge housing

Economy wedge housing for larger camera and lens combination.

The SMW1 offers dual security screw access for easy installation and a surface run conduit to directly enter the housing without invasive measure making for a flexible mounting process

The enclosure is rigid in construction and provides a cheaper alternative than other surface wedge housings whilst maintaining vandal resistance.



### OPTIONS

Fan heater, tamper switch, optic enhanced glass

### APPLICATIONS

Carparks, under eaves, railway platforms, tunnels, walkways.  
Ideal for large lens and camera combinations

## SPECIFICATIONS

#### CONSTRUCTION

1.2mm Zinc Anneal

#### FINISH

Pearl White polyester powder coat

#### LENS

6.0mm Polycarbonate

#### ACCESS

2 x 6mm stainless security screws

#### CABLE ENTRY

5 x 20mm knock outs at rear of housing

#### MAX CAMERA SIZE

260mm

#### WEIGHT

2.9kg

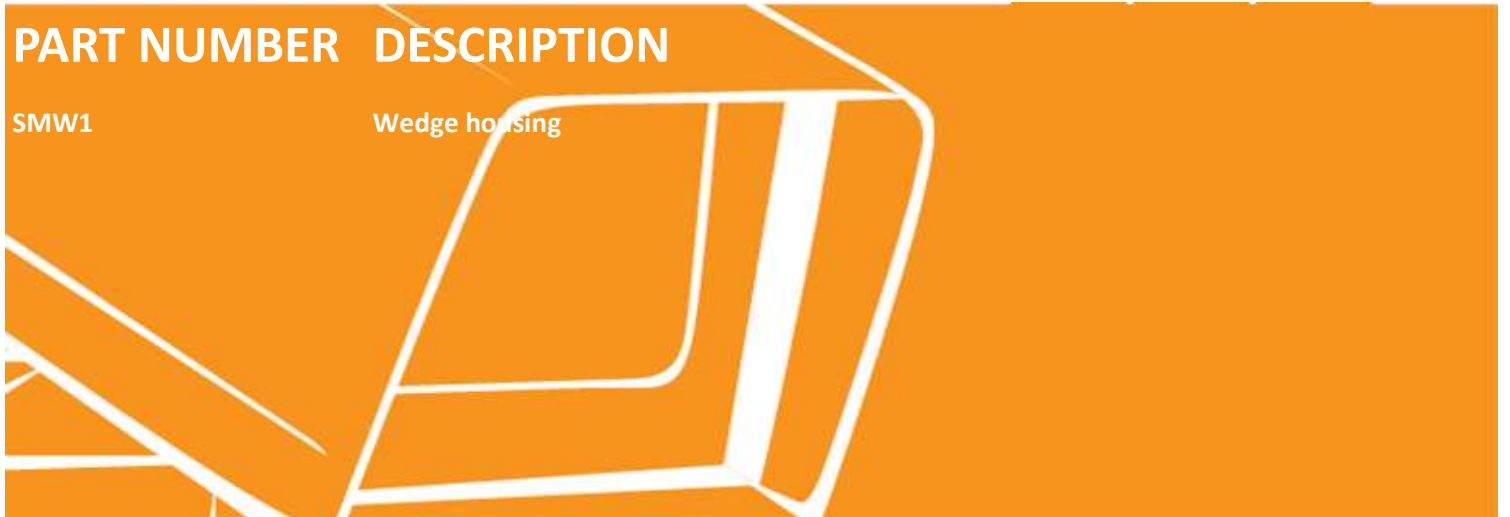
#### IP RATING

IP54

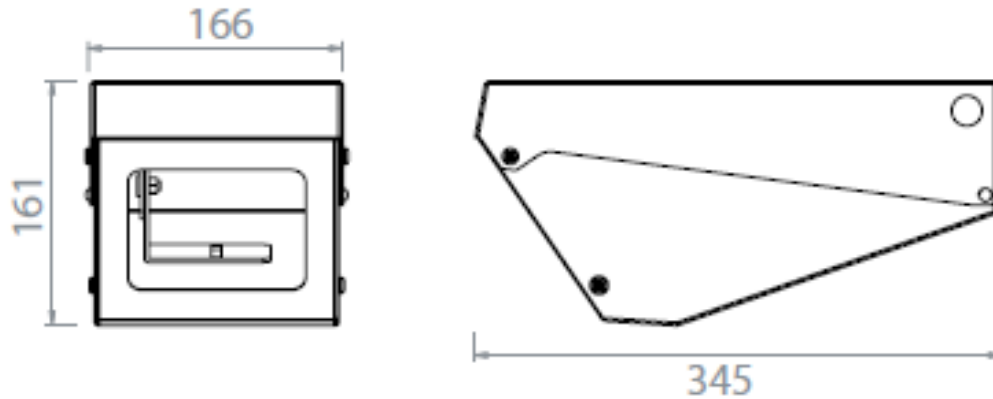
## PART NUMBER DESCRIPTION

SMW1

Wedge housing



### DIMENSIONS



### INSTALLATION SUPPORT

The housing is designed to provide the installer with the flexibility of where the cable enters and exits.

It is suggested that the required amount of fixings should withstand up to 10kg of weight. Additionally the choice of fixing should depend on the type of bracket or fixing it is fixed to.

The housing offers 260mm of camera and lens space with sufficient space for any cabling configuration, any cameras that are larger should be discussed with us prior to installation.

In order to maintain the housing, it is suggested 'Plexus' plastic cleaner is to be used to clean the lens

