

ES110 Series Electric Strike

General Description

The ES110 is a cost efficient robust electric strike with a solid construction of one-piece cast aluminium body and stainless steel striker. Having a deeper than normal strike-keeper area, ES110 is designed to work with an extensive range of locks and offers the same level of security and reliability usually provided by more expensive electric locking solutions.

Extension lips are available to accommodate the installation of electric strikes on door frames with different thickness. The ES110 product range of patented electric strikes are suitable for use with all access control installations where flexibility, security and lower cost are required.

Key Features

- Fail safe/fail secure changeable on site
- Stainless steel striker for extra strength and durability
- Stainless steel locking pins
- Multi Voltage 12Vdc and 24Vdc
- Optional mounting kit
- Installation template
- Suitable For 18mm latch with a 3mm door gap
- Australian designed
- **TRICARE**® 5 Year Warranty

Applications

- Exposed areas
- High traffic areas
- Open in/open out doors
- Suitable for use with all access control systems



Standards and Compliance



Successfully fire rated up to 4hrs on fire door assemblies in accordance with AS1905.1. 2005 (Part 1: Fire resistant door sets)



Approved to UL1034 (highest level)



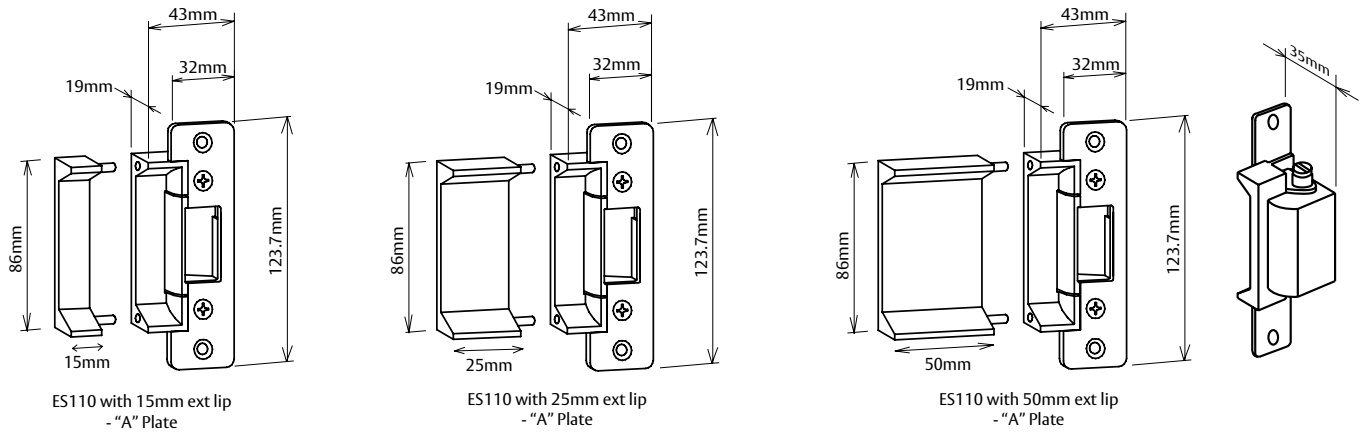
CE Approved



C-Tick Certified

Weather Resistant IP56

ES110 Series Electric Strike



ES110 Technical Information

| | |
|----------------------|---------------------------------------------------------------------------------------|
| Voltage | 12Vdc and 24Vdc |
| Current | 250 mA @ 12Vdc - 125mA @ 24Vdc |
| Solenoid | Solenoids are rated for continuous use |
| Monitoring | None |
| Holding Force | 680 kg Static Strength Rating |
| Endurance | Cycle tested to 1,000,000 operations |
| Environment | Operational temperature range -20°C to +60°C Weather resistant construction (IP56) |
| Body | Cast Aluminium Construction |
| Keeper | Stainless Steel |

Ordering Information

| Product Description |
|-------------------------------------------------------------------------|
| ES111 12/24Vdc PTL W/Res A-Type Rnd Cnr S/Steel F/Plate & H/Rnd |
| ES111 12/24Vdc PTL W/Res H-Type Sq Cnr S/Steel F/Plate Lipless |
| ES111 12/24Vdc PTL W/Res-H-Type Sq Cnr S/Steel F/Plate & H/Rnd |
| ES111 12/24Vdc PTL W/Res A-Type Rnd Cnr S/Steel F/Plate Lipless & H/Rnd |
| ES112 12/24Vdc PTO W/Res A-Type Rnd Cnr S/Steel F/Plate & H/Rnd |
| ES112 12/24Vdc PTO W/Res H-Type Sq Cnr S/Steel F/Plate |

| Part Number | Product Description | Part Number |
|-------------|---------------------|-------------|
| 110111-060M | 15mm Extension Lip | 220110-502 |
| 110111-150M | 25mm Extension Lip | 220110-503 |
| 110111-160M | 50mm Extension Lip | 220110-504 |
| 110111-190M | Mounting Kit | 220200-518 |
| 110112-060M | Rebate Plate | 210100-523 |
| 110112-140M | | |

Note: For additional face plate options see over the page

Note: Strikes comes standard with Extension Lip Holes

| Abbreviation Key | |
|------------------|------------------------------------------------------|
| PTO | Power to Open (Fail Secure) |
| PTL | Power to Lock (Fail Safe) |
| W/RES | Weather Resistant |
| A-Type | Short style face plate with round corners |
| H-Type | Long style face plate with square corners |
| H/RND | Long style face plate with round corners (Accessory) |
| LIPLESS | No Lip on the Lock body |
| S/STEEL | Stainless Steel |
| F/PLATE | Face Plate |

Specification Statement

Where Power to Lock and Power to Open functions may be required in the same building, the strike must be interchangeable from either "Power to Lock" or "Power to Open" on site.

The electric strike should not consume current greater than 250 mA @ 12Vdc - 125mA @ 24Vdc and have a solenoid suitable for continuous use. Certifications must include CE, C-tick and 4hr fire rating.

The strike should have a minimum holding force of 680kg, and an endurance rating of 1 million cycles.

Accessories