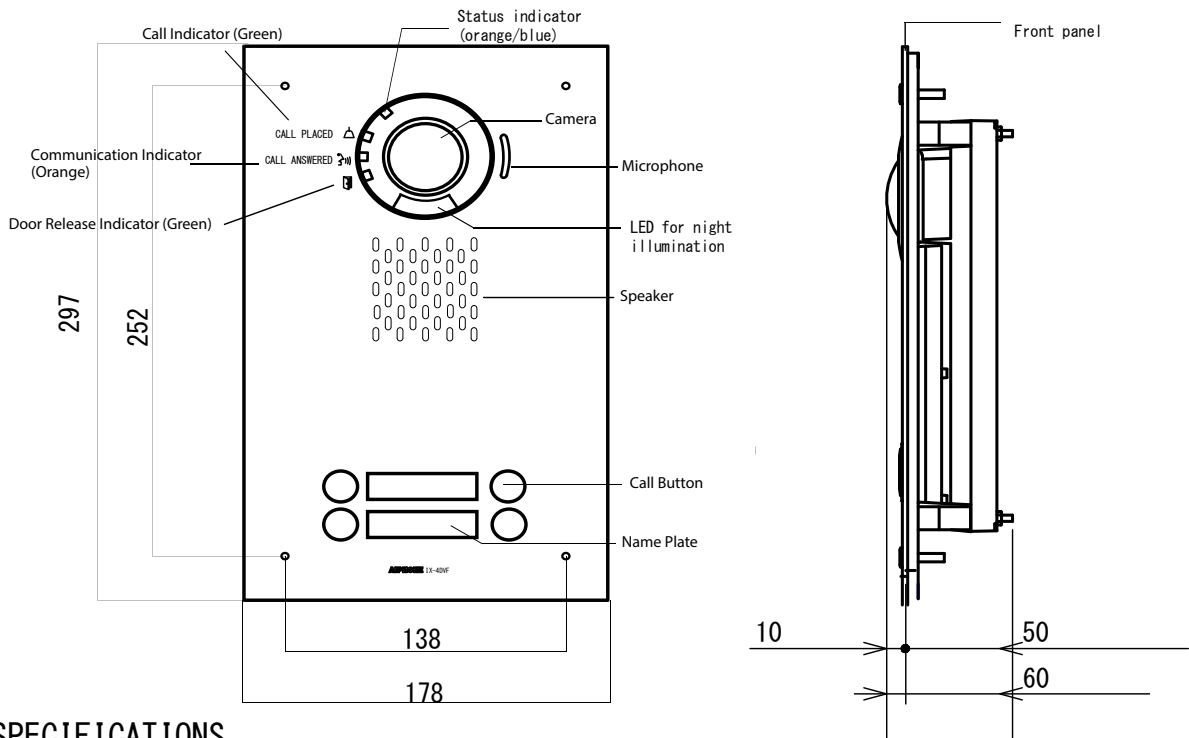


CAUTION: This is a preliminary specification sheet. All information subject to change without notice.

■ PRODUCT DRAWING



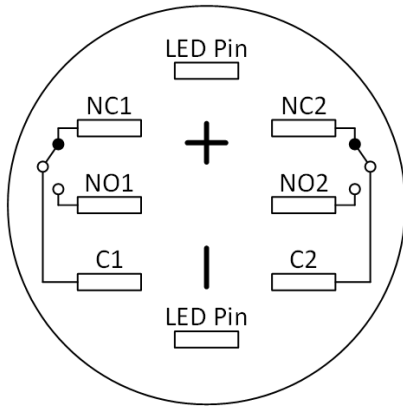
■ SPECIFICATIONS

Power source	Power-over-Ethernet (IEEE 802.3af/at Class 0) / 24V DC External power supply
Current consumption	Power-over-Ethernet Standby: 72mA/Standby with continuous recording: 77mA Maximum: 155mA 24V DC External power supply Standby: 130mA/Standby with continuous recording: 140mA Maximum: 300mA
Type of communication	Hands-free: automatic voice switching
Camera	1/3" color CMOS SXVGA 1280 x 960 (approx. 1,200,000 pixels)
Minimum illumination	5 lux
LAN	Ethernet (10BASE-T, 100BASE-TX), MDI (Auto MDI/MDI-X)
Audio codec	G.711 (μ-law, A-law), G.722
Video codec	H.264/AVC, Motion JPEG
Protocol	IPv4, IPv6, TCP, UDP, SIP, HTTP, HTTPS, RTSP, RTP, RTCP, IGMP, MLD, SMTP, FTP, DHCP, NTP, DNS
Encryption method	TLS1.0, TLS1.1, TLS1.2
Packet delivery	Unicast, Multicast
Number of called stations	20 stations
Ambient temperature	-40~+60°C (-40~+140° F)
Mounting	Flush wall-mount
Material	Front panel: marine grade stainless steel Unit case: self-extinguishing ABS resin
Piezo Button	Aluminium Touch Metal Piezo Switch
Unit color · Finish	Front panel: stainless steel, vertical hair-line processed
Weight	Unit: approx. 1.5 kg
IP rating	IP65
IK rating	IK08
Remarks	ONVIF Profile S support

DESCRIPTION VIDEO DOOR STATION	FIG. NAME PRODUCT/SPECIFICATIONS	UNIT mm	DATE 2 November, 2020
MODEL NO. IX-4DVF	FIG. NO. IX-4DVF-1-3	PAGE 1/3	REVISION 1
			AIPHONE

INSTRUCTIONS

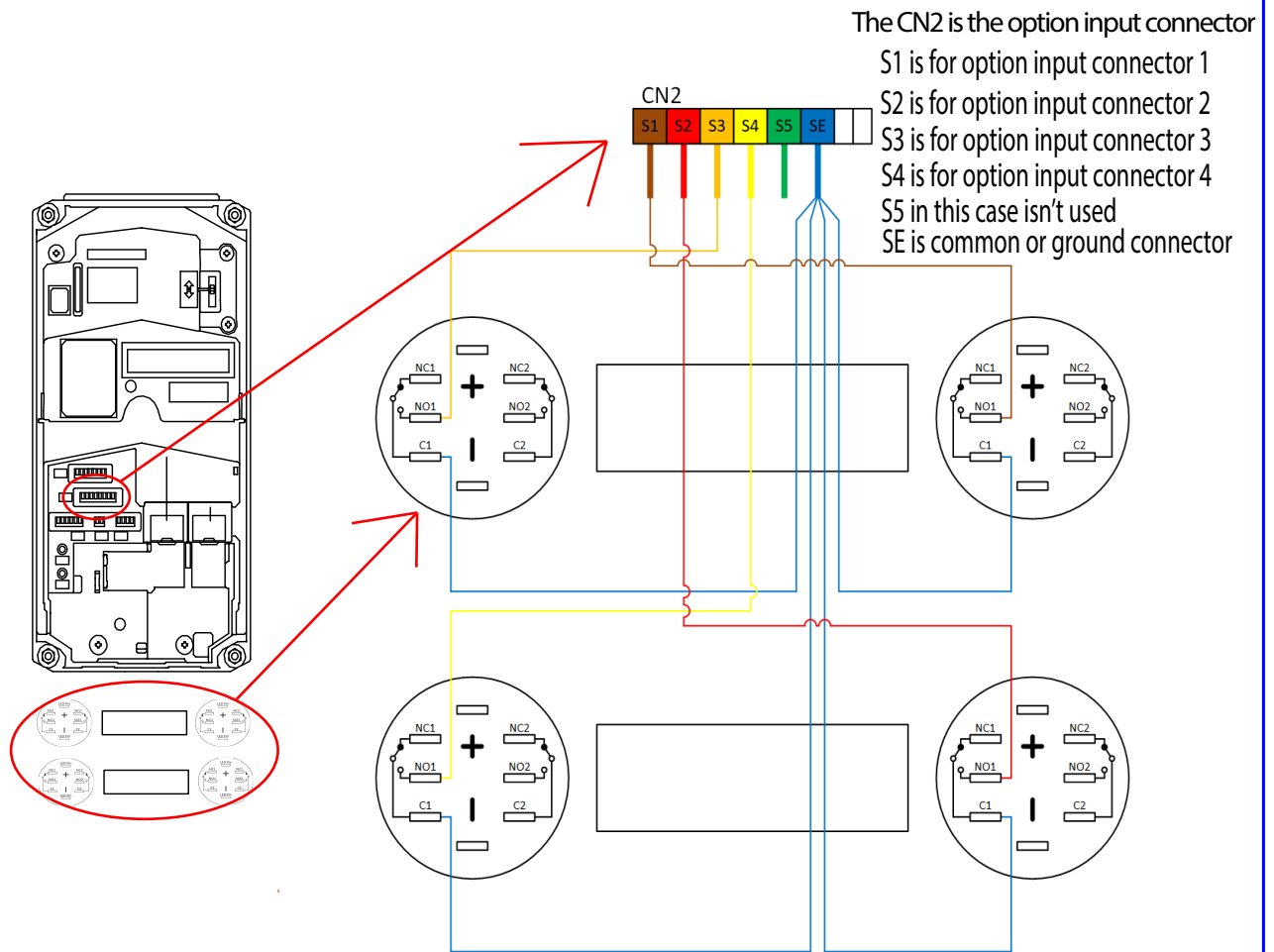
1. Connect and Solder Cables



Terminal Description

Two sets at most

C1, NO1, NC1, and C2, NO2, NC2 are one set respectively. C is common and used, NO is normally open, NC is normally closed; +, - are lamp terminals, the standard LED has no difference of anode and cathode; Lamp and switch are relatively independent and can use switch or peripheral circuit to control the lamp state.



DESCRIPTION VIDEO DOOR STATION	FIG. NAME INSTRUCTIONS	UNIT mm	DATE 2 November, 2020
MODEL NO. IX-4DVF	FIG. NO. IX-4DVF-3-3	PAGE 3/3	REVISION 1
			AIPHONE