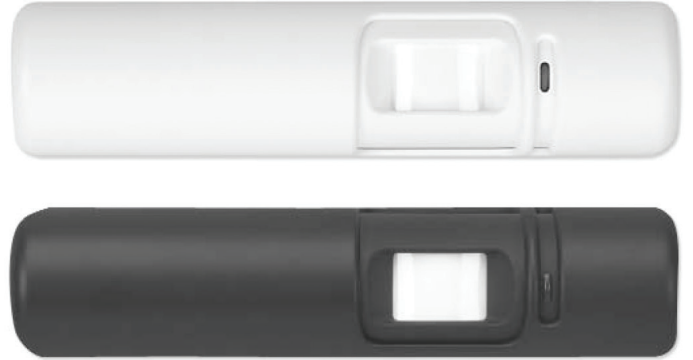


IS310/IS320

Request-to-Exit PIR

Resideo's Request-to-Exit (RTE) sensors offer basic and full-featured models to suit every access control application. The quick-install sensors are extremely flexible, provide a generous amount of wiring room and contain built-in internal "tamper proof" shutters to enable precise target area detection.



"compliance section" see below for details

Features & Benefits

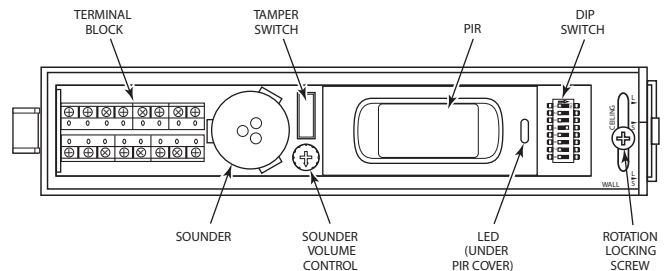
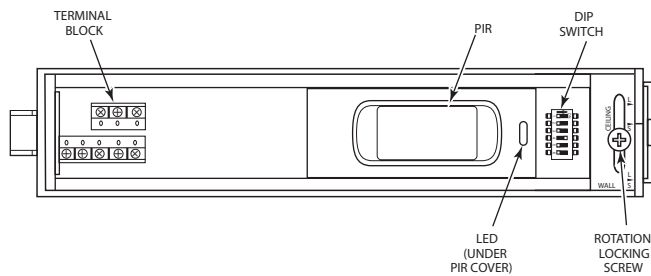
IS310:

- Adjustable relay time (0.5 - 64 seconds)
- Micro-based signal processing
- Adjustable "tamper proof" shutters—to enable precise target area detection
- Two "Form C" outputs
- Swivel optics – allow for offset mounting
- Black bug guard
- Wall or ceiling mount
- Available in white or black

IS320:

IS320 includes the same features as IS310, plus:

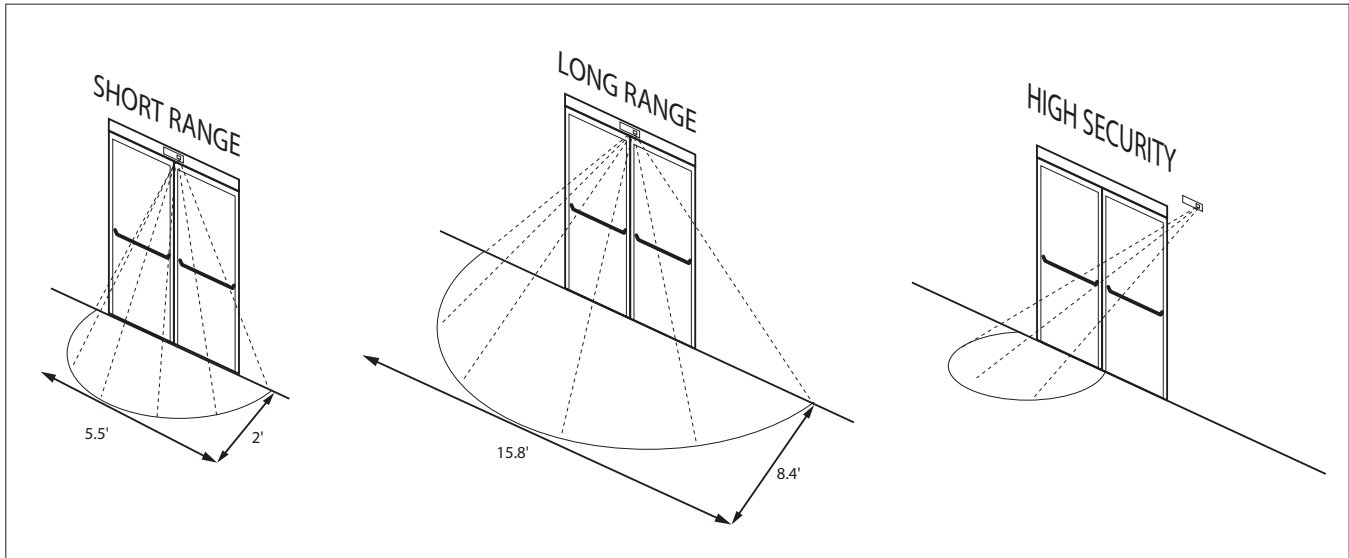
- Piezo Sounder with volume control
- Door contact input
- Reader/keypad/keyswitch input
- Remote arming and sounder inputs
- Front cover tamper



IS310/IS320 Request-to-Exit PIR

SPECIFICATIONS

Detection Patterns:



Range: From 5.5' x 2' (1.67m x 0.6m) up to 15.8' x 8.4' (4.8 x 2.5m) depending on mounting height

Mounting Height: 7' to 15' (2.13m x 4.51m)

Detectable Walk Rate: 0.5'-10'/sec

Signal Processing: RTE and Security modes

Temperature Compensation: Advanced dual-slope

Alarm Relay: Two "Form C" outputs

Input Voltage: 12-24 volts AC or DC

Standby Current: 35mA

Indicators: Green (ready) LED

Operating Temperature: 14° F to 122° F (-10° C to 50° C)

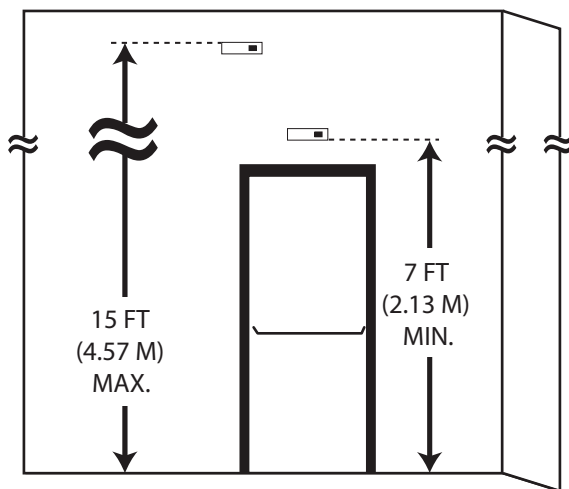
Dimensions: 7" L x 2" H x 2" D (17.7cm x 5cm x 5cm)

Sounder: Adjustable to 60 dB@10' (3.05m)*

Cover Tamper Switch: contact rating 100mA 30VDC*

Compliance: RTEs are compliant with FCC Part 15, CE, UL 294 for Access Control System Units and C22.2 No. 205-M1983- Signal Equipment

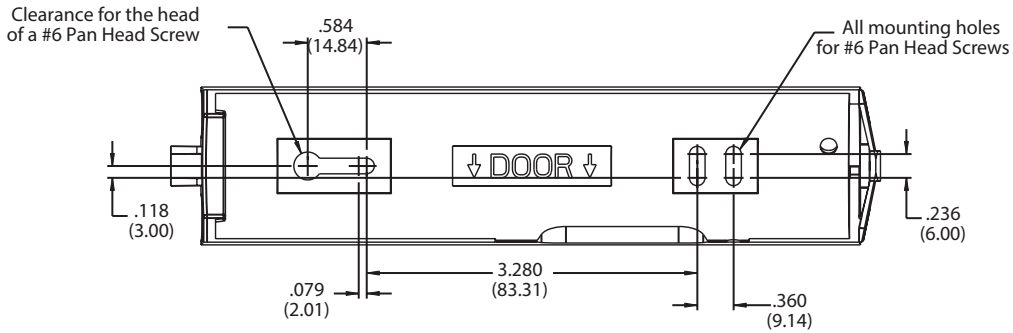
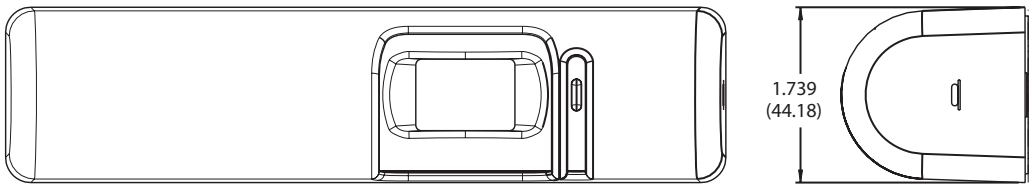
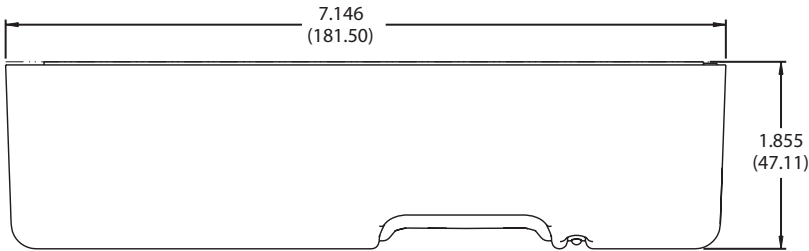
Mounting Height



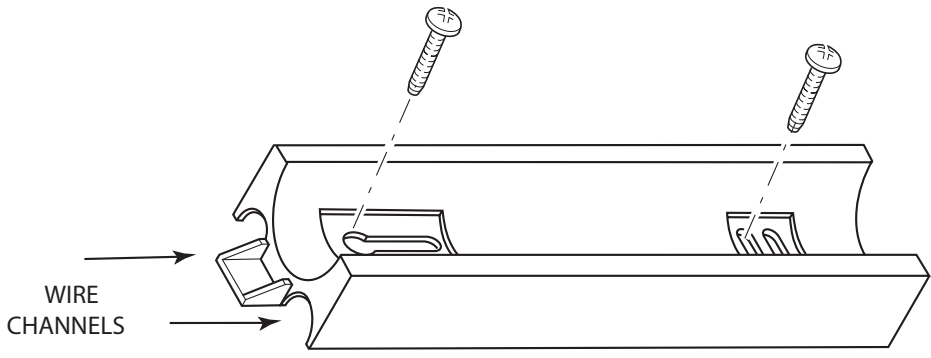
*IS320 model only

IS310/IS320 Request-to-Exit PIR

SPECIFICATIONS



View showing sensor mounting plate with front cover and PCB removed



IS310/IS320 Request-to-Exit PIR

ORDERING

IS310WH (0-000-361-01)	Entry Level RTE - White
IS310BL (0-000-361-02)	Entry Level RTE - Black
IS320WH (0-000-361-03)	Fully Featured RTE - White
IS320BL (0-000-361-04)	Fully Featured RTE - Black
ACCESSORIES	
IS310WHTP (5-531-395-01)	Trim Plate for IS310 and IS320 - White
IS310BLTP (5-531-395-02)	Trim Plate for IS310 and IS320 - Black



IS310WHTP



IS310BLTP

resideo

For more information
resideo.com

Resideo Technologies, Inc.
2 Corporate Center Drive, Suite 100
P.O. Box 9040
Melville, NY 11747
1-800-645-7492

L/IS310320/D | AF | 08/22
© 2022 Resideo Technologies, Inc.
All rights reserved.
The Honeywell Home trademark is used under
license from Honeywell International Inc.
These products are manufactured by Resideo
Technologies, Inc. and its affiliates.